

VESTEL REFRIGERATOR SERVICE MANUAL

**VESTELMODEL :**

RT 345S
RT 400S
RT 455S

MODEL :

RD 36T (GREECE / CARAD)
RD 40T (GREECE / CARAD)
RD 46T (GREECE / CARAD)

CODE :

10010455
10010451
10010450

<i>CONTENTS</i>	<i>PAGE</i>
<i>1. SPECIFICATIONS</i>	1-2
<i>2. ASSEMBLE & DISASSEMBLE</i>	
<i>A - Changing the doorway direction to right hand</i>	3-5
<i>B - Changing the thermostat</i>	5
<i>C - Thermostat knob</i>	6
<i>3. REFRIGERANT CYCLE DIAGRAM</i>	7
<i>4. MACHINE ROOM VIEW</i>	8
<i>5. CIRCUIT DIAGRAM</i>	9
<i>6. EXTERIOR PARTS</i>	10
<i>7. EXTERIOR PARTS LIST</i>	11
<i>8. INTERIOR PARTS</i>	12
<i>9. INTERIOR PARTS LIST</i>	13
<i>10. DOOR ASSY. PARTS</i>	14
<i>11. DOOR ASSY. PARTS LIST</i>	15
<i>12. UNIT PARTS – RD 36T-RD 40T</i>	16
<i>13. UNIT PARTS – RD 46T</i>	17
<i>14. UNIT PARTS LIST</i>	18-19

VESTEL WHITE GOODS	VESTEL REFRIGERATOR	DECEMBER 2001
	SPECIFICATIONS RD 36T - RD 40T - RD 46T	

SPECIFICATIONS -RD 36T - RD 40T - RD 46T

	RD 36T	RD 40T	RD 46T
CLIMATE TYPE	N	N	N
DOOR COLOR	WHITE	WHITE	WHITE
DOOR	2 SIDE AVAILABLE	2 SIDE AVAILABLE	2 SIDE AVAILABLE
DOOR INSULATION	CYCLOPENTAN	CYCLOPENTAN	CYCLOPENTAN
INSULATION	CYCLOPENTAN	CYCLOPENTAN	CYCLOPENTAN
LEVELLING FOOT	2	2	2
REFRIGERATOR GASKET	WHITE	WHITE	WHITE
FREEZER GASKET	WHITE	WHITE	WHITE

ELECTRICAL SPECIFICATIONS

	RD 36T	RD 40T	RD 46T
VOLTAGE/FREQUENCY	220-240 V / 50Hz	220-240 V / 50Hz	220-240 V / 50Hz
POWER OUTPUT	215 W	245 W	290 W
LAMP TYPE	E14	E14	E14
POWER CONSUMPTION	1.29 kWh / 24h	1.9 kWh / 24h	1.72 kWh / 24h
CURRENT	1.3 A	1.5 A	1.8 A
ENERGY CLASS	C	C	C

COMPRESSOR

	RD 36T	RD 40T	RD 46T
COMPRESSOR	FG75HAK,NL7FT	FG75HAK,NL7FT	FG85HAK,NL9FT

OVERLOAD RELAY

	RD 36T	RD 40T	RD 46T
RELAY TYPE	PTC 8EA 501	PTC 8EA 501	PTC 8EA 501
THERMIC TYPE	4TM276RFBYY-53	4TM276RFBYY-53	4TM276RFBYY-53

REFRIGERATING SYSTEM

	RD 36T	RD 40T	RD 46T
PERFORMANCE (Star Rating)	4	4	4
FREEZING CAPACITY	3.5 kg / 24 h	3.5 kg / 24 h	5.0 kg / 24 h
THERMOSTAT TYPE	DNFS077B6575	DNFS077B6575	DNFS077B6575
DRYER	10 gr.	10 gr.	10 gr.
DEFROST TYPE	Semi - automatic	Semi - automatic	Semi - automatic
CAPILLARY TUBE	0.71x3500 mm	0.71x3500 mm	0.71x3500 mm
REFRIGERANT	R 134a	R 134a	R 134a
REFRIGERANT CHARGE	155 gr	140 gr	180 gr

VESTEL WHITE GOODS CONSUMER SERVICE	TECHNICAL DEPARTMENT
--	---------------------------------------

VESTEL WHITE GOODS	VESTEL REFRIGERATOR	DECEMBER 2001
	SPECIFICATIONS RD 36T - RD 40T - RD 46T	

TEMPERATURE CONTROL MAX.

	RD 36T	RD 40T	RD 46T
CUT - IN	+ 3.5 C	+ 3.5 C	+ 3.5 C
CUT - OUT	- 29 C	- 29 C	- 29 C

TEMPERATURE CONTROL MIN.

	RD 36T	RD 40T	RD 46T
CUT - IN	+ 3.5 C	+ 3.5 C	+ 3.5 C
CUT - OUT	- 16.7 C	- 16.7 C	- 16.7 C

DIMENSIONS

	RD 36T	RD 40T	RD 46T
REFRIGERANT PART CAPACITY GROSS (l)	258	282	348
FREEZER PART CAPACITY GROSS (l)	74	74	101
WEIGHT (kg)	59.3	61.7	69.2
HEIGHT (mm)	1713	1813	1818
DEPTH (mm)	600	600	620
WIDTH (mm)	595	595	700

PACKAGED DIMENSIONS

	RD 36T	RD 40T	RD 46T
WEIGHT (kg)	62.2	65.1	73.3
HEIGHT (mm)	1795	1895	1895
DEPTH (mm)	667	668	701
WIDTH (mm)	665	665	770

FREEZER ACCESSORY

	RD 36T	RD 40T	RD 46T
ICE SCRAPER	1	1	1
ICE TRAY	2	2	2
SHELF	1	1	1

REFRIGERANT ACCESSORY

	RD 36T	RD 40T	RD 46T
CRISPER	1	1	2
CRISPER COVER	1	1	1
SHELF	4	4	4
TUNNEL DRAIN PLUG	1	1	1

DOOR ACCESSORY

	RD 36T	RD 40T	RD 46T
SHELF	6	6	7
SHELF SECTION	9	9	9
SHELF COVER	1	1	1
EGG HOLDER	1	1	1

VESTEL WHITE GOODS CONSUMER SERVICE	TECHNICAL DEPARTMENT
---	---------------------------------------

VESTEL WHITE GOODS	VESTEL REFRIGERATOR	DECEMBER 2001
	ASSEMBLE & DISASSEMBLE RD 36T - RD 40T - RD 46T	

A- Changing The Doorway Direction to Right Hand

1- Unscrew the two screws which are fixing the middle hinge and one screw where located near the middle hinge. (FIG-1)

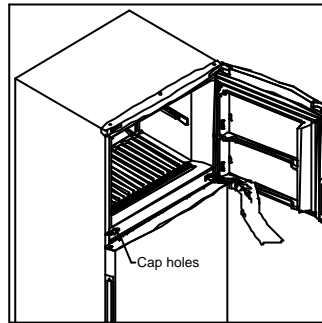


Figure - 1

2- Dismantle the refrigerator and freezer door from cabinet by pulling towards to you together with the middle hinge. (FIG-2)

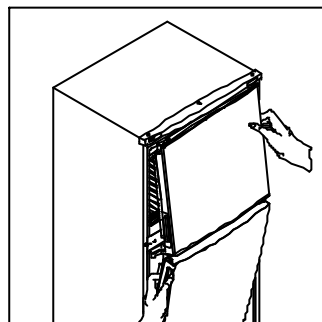


Figure - 2

3- Take off the kick plate by pulling forward. Unscrew the bottom hinge fixing screws and remove it. Unscrew the pin of hinge and screw again changing the direction. (See Detail A) Then assemble the hinge to bottom left side of refrigerator. (FIG-

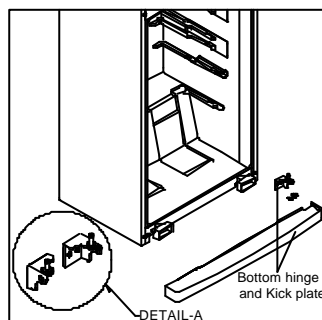


Figure - 3

VESTEL WHITE GOODS CONSUMER SERVICE	TECHNICAL DEPARTMENT
---	---------------------------------------

VESTEL WHITE GOODS	VESTEL REFRIGERATOR	DECEMBER 2001
	ASSEMBLE & DISASSEMBLE RD 36T - RD 40T - RD 46T	

A- Changing The Doorway Direction to Right Hand

4- Remove the head panel hinge cover and dismantle the upper hinge then unscrew the pin of hinge and screw again changing the direction and then unscrew the three screws which are fixing the head panel. (FIG-4)

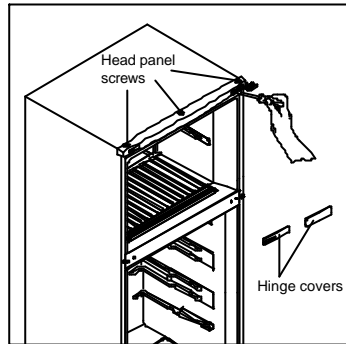


Figure - 4

5- Assemble the upper hinge to the left side and assemble the head panel and take out the caps and reassemble them by changing their places. (FIG-5)

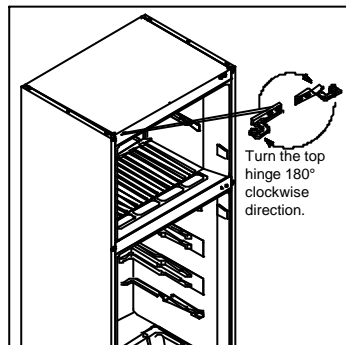


Figure - 5

6- Take out the bushing and bushing caps and reassemble them by changing their places. (FIG-6)

Take out bush and stopper and reassemble them changing their places. (FIG-6)

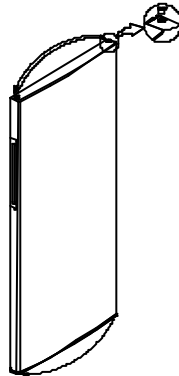


Figure - 6

VESTEL WHITE GOODS CONSUMER SERVICE	TECHNICAL DEPARTMENT
--	---------------------------------------

VESTEL WHITE GOODS	VESTEL REFRIGERATOR	DECEMBER 2001
	ASSEMBLE & DISASSEMBLE RD 36T - RD 40T - RD 46T	

A- Changing The Doorway Direction to Right Hand

7- Take out the bushing and bushing caps and reassemble them by changing their places. (FIG-7)

Take out the bush and reassemble it by changing its place and remove the right stopper and reassemble it to the left side by using left stopper. (FIG-7)

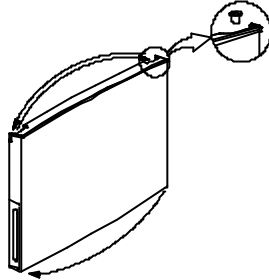


Figure - 7

8- Assemble the freezer door and refrigerator door together with middle hinge and fix the middle hinge by tightening the screws finally, by using a knife cut left side of the kick plate and assemble it. (FIG-8)

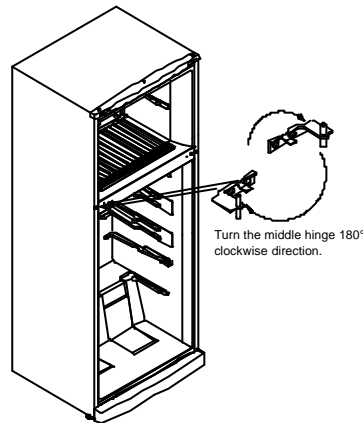


Figure - 8

B - Changing The Thermostat :

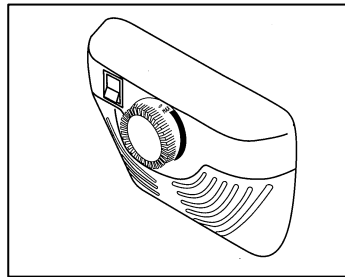
- 1) Take off the lamp cover and unscrew the fixing screw.
- 2) Take off the thermostat box by pulling it and take off the wire connector.
- 3) Pull out the thermostat bulb from the cabinet.
- 4) Take off the thermostat knob pulling forward. Loosen the nut which is fixing the thermostat.
- 5) Replace the thermostat with the new one and assemble the thermostat box following the steps backwards.

VESTEL WHITE GOODS CONSUMER SERVICE	TECHNICAL DEPARTMENT
--	---------------------------------------

VESTEL WHITE GOODS	VESTEL REFRIGERATOR	DECEMBER 2001
	ASSEMBLE & DISASSEMBLE RD 36T - RD 40T - RD 46T	

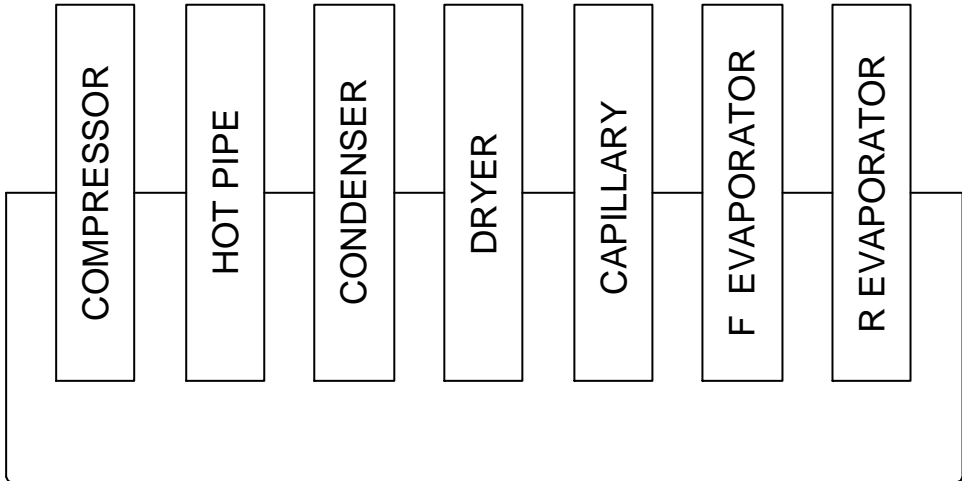
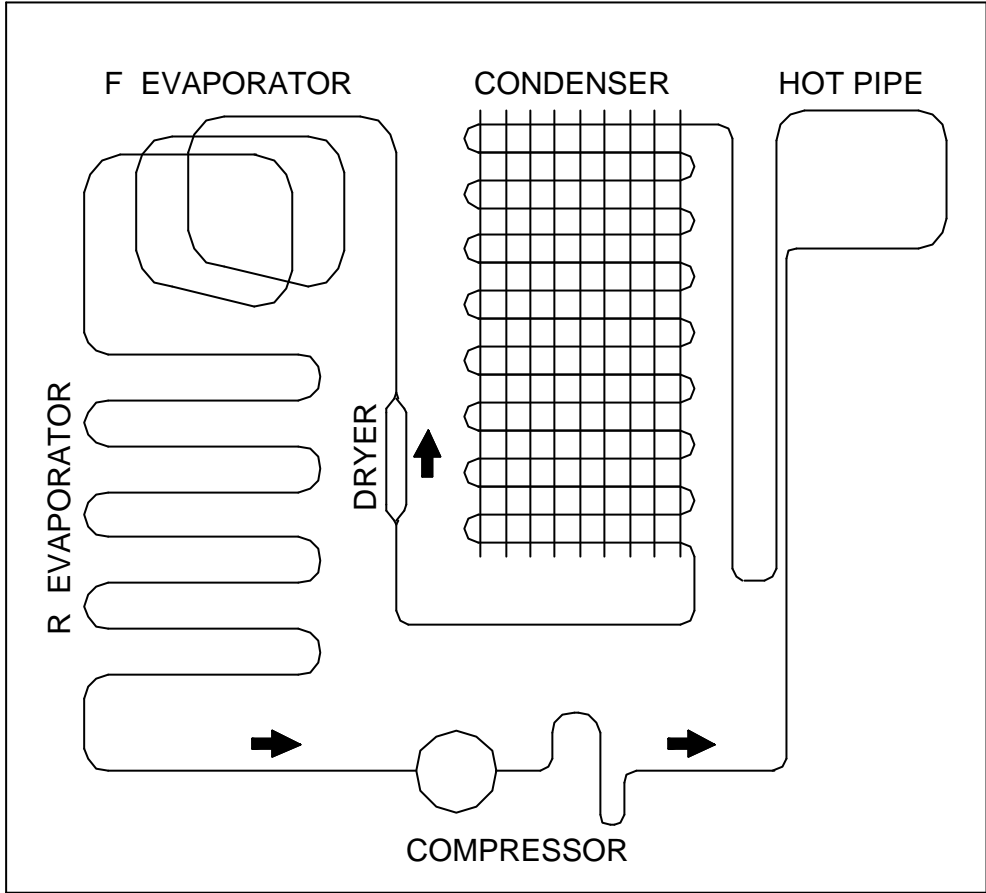
C - Thermostat Knob

- ❖ This knob is used to control the temperature of the freezer and refrigerant parts automatically. It can be set to any value between the “1” and “5” positions.
- ❖ “0” position indicates that the thermostat is off and so in this position no cooling is done.
- ❖ By turning the knob from “1” to “5”, you can increase the cooling degree.
- ❖ The refrigerator is designed to get optimum performance when the thermostat knob is set in the middle position (between “1” and “5” .)



VESTEL <hr/> WHITE GOODS CONSUMER SERVICE	TECHNICAL DEPARTMENT
--	---------------------------------

VESTEL WHITE GOODS	VESTEL REFRIGERATOR	DECEMBER 2001
	REFRIGERANT CYCLE DIAGRAM RD 36T - RD 40T - RD 46T	



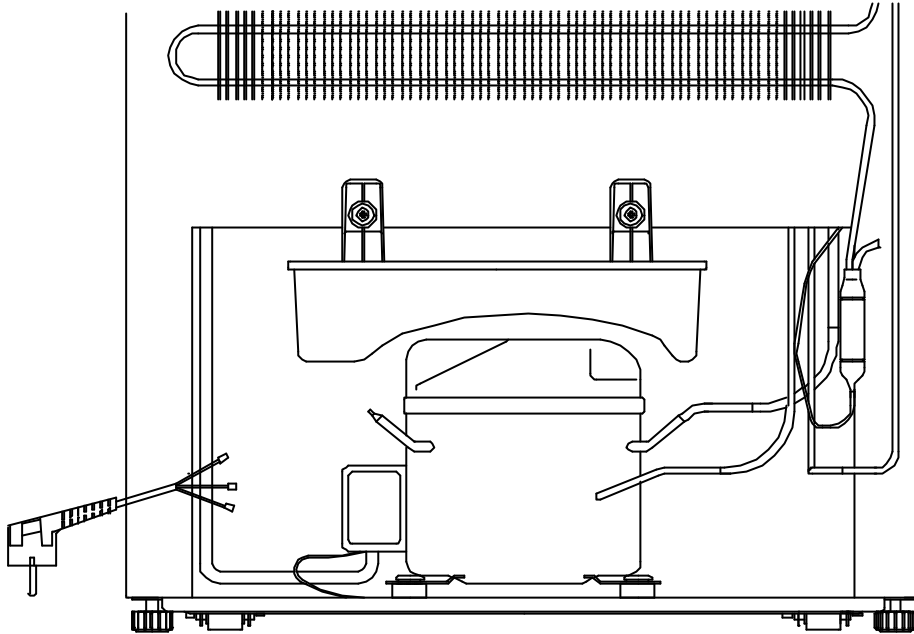
VESTEL WHITE GOODS CONSUMER SERVICE	TECHNICAL DEPARTMENT
---	---------------------------------------

VESTEL
WHITE GOODS

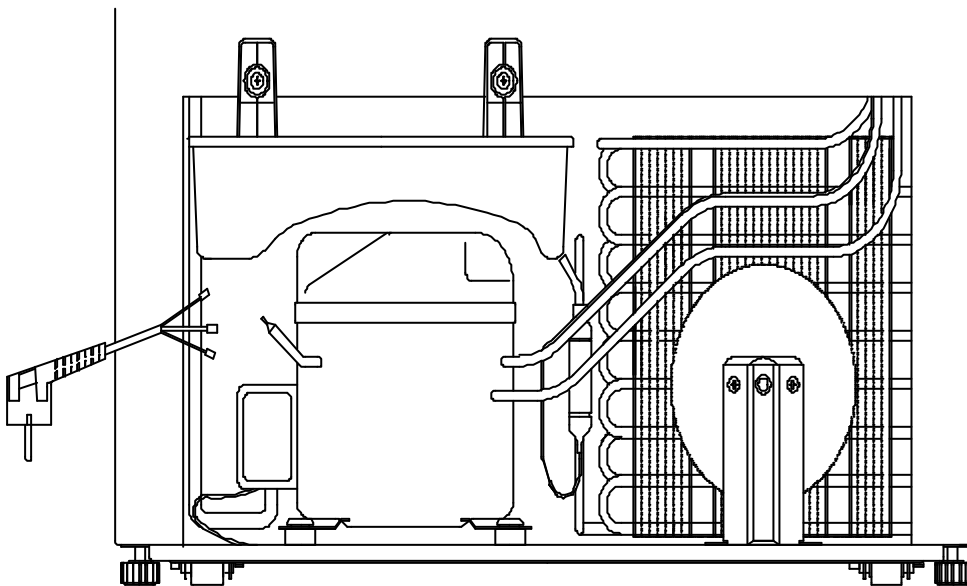
VESTEL REFRIGERATOR

DECEMBER
2001

MACHINE ROOM VIEW
RD 36T - RD 40T - RD 46T



RD 36T - RD 40T



RD 46T

VESTEL
WHITE GOODS CONSUMER SERVICE

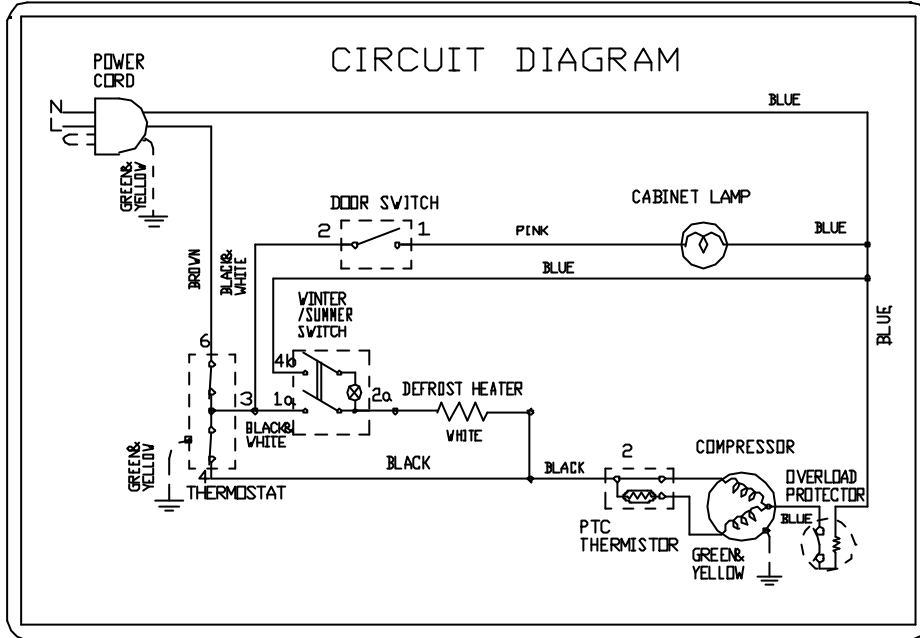
TECHNICAL
DEPARTMENT

VESTEL
WHITE GOODS

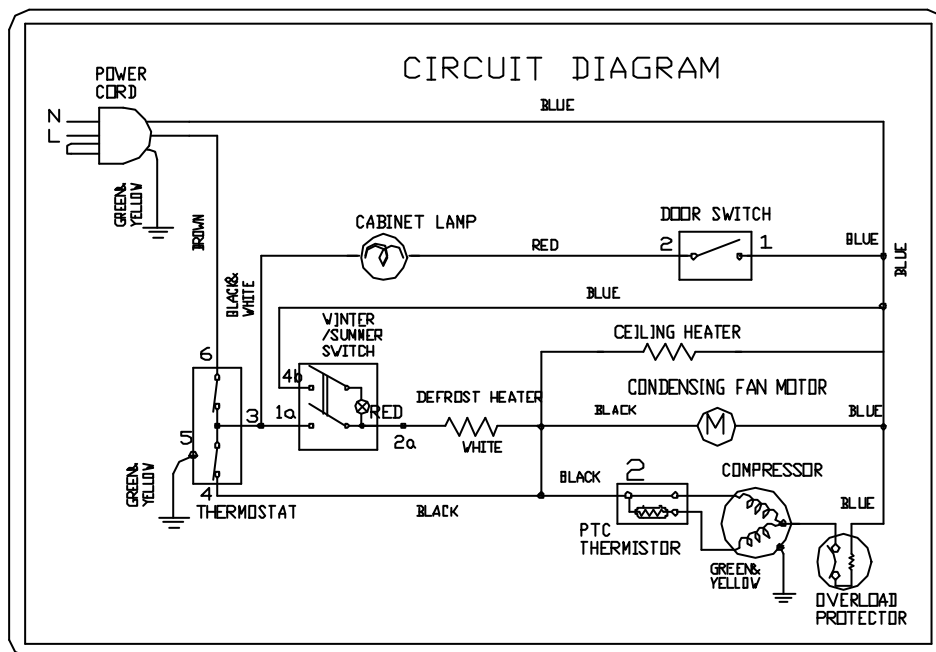
VESTEL REFRIGERATOR

DECEMBER
2001

CIRCUIT DIAGRAM
RD 36T - RD 40T - RD 46T



RD 36T - RD 40T



RD 46T

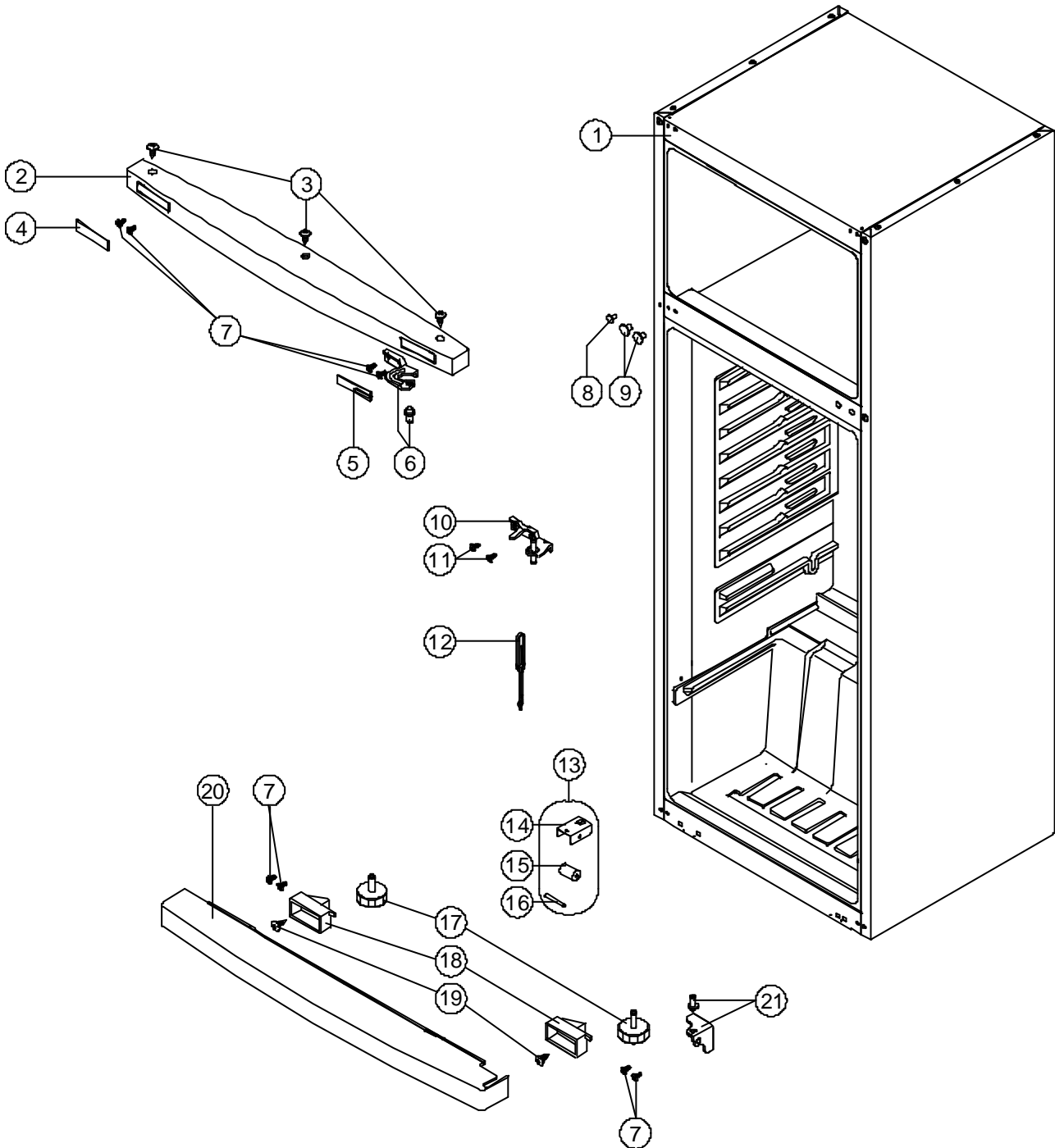
VESTEL
WHITE GOODS CONSUMER SERVICE

TECHNICAL
DEPARTMENT

VESTEL
WHITE GOODS

VESTEL REFRIGERATOR
EXTERIOR PARTS
RD 36T - RD 40T - RD 46T

DECEMBER
2001



VESTEL
WHITE GOODS CONSUMER SERVICE

TECHNICAL
DEPARTMENT

VESTEL WHITE GOODS	VESTEL REFRIGERATOR	DECEMBER 2001
	EXTERIOR PARTS LIST RD 36T - RD 40T - RD 46T	

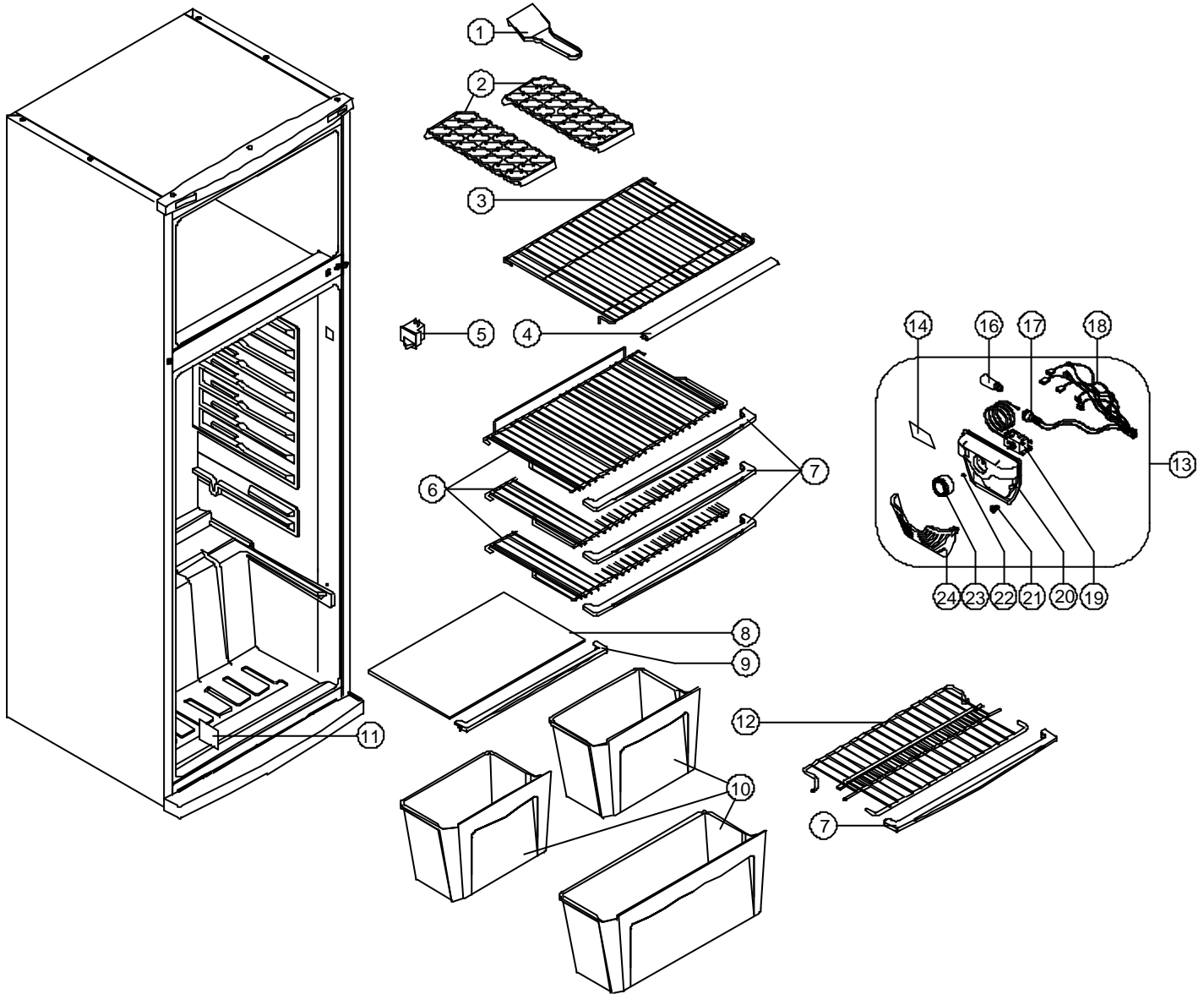
NO	CODE	PARTS NAME	RD 36T	RD 40T	RD 46T
1	20025108	ASSY URT CAB/345T	1		
1	20030891	ASSY URT CAB/400T		1	
1	20056049	ASSY URT CAB/455T(HEATING RESIST.)			1
2	40007001	HEAD PANEL ASSY./345	1	1	
2	40007004	HEAD PANEL ASSY./455			1
3	35000743	SCREW DYED 4.2*9.5 DIN 7981 YSB	3	3	3
4	40002258	HEAD PANEL CAP LEFT	1	1	1
5	40002257	HEAD PANEL CAP RIGHT	1	1	1
6	35001710	TOP HINGE DYED/345P	1	1	1
7	35000714	SCREW M5*14 WN 1342-H EJOT	8	8	8
8	40004842	CAP SMALL	1	1	1
9	40004843	CAP BIG	2	2	2
10	35003181	MIDDLE HINGE/345S	1	1	1
11	35001709	SCREW M5*14 WN 1342-H EJOT DYED	2	2	2
12	40002216	TUNNEL DRAIN PLUG	1	1	1
13	35003056	FRONT WHEEL GR.			2
14	35000732	FRONT WHEEL HOLDER			2
15	40002217	WHEEL			2
16	35000733	FRONT WHEEL PIN			2
17	45000563	STATIONARY FOOT	2	2	2
18	40002262	KICK PLATE HOLDER	2	2	2
19	35000707	SCREW 3.5*13 DIN 7981 YSB	2	2	2
20	40002292	KICK PLATE/345P	1	1	
20	40002261	KICK PLATE/455P			1
21	35000735	BOTTOM HINGE/345	1	1	1

VESTEL WHITE GOODS CONSUMER SERVICE	TECHNICAL DEPARTMENT
--	---------------------------------

VESTEL
WHITE GOODS

VESTEL REFRIGERATOR
INTERIOR PARTS
RD 36T - RD 40T - RD 46T

DECEMBER
2001



VESTEL
WHITE GOODS CONSUMER SERVICE

TECHNICAL
DEPARTMENT

VESTEL WHITE GOODS	VESTEL REFRIGERATOR	DECEMBER 2001
	INTERIOR PARTS LIST RD 36T - RD 40T - RD 46T	

NO	CODE	PARTS NAME	RD 36T	RD 40T	RD 46T
1	40002276	ICE SCRAPER	1	1	1
2	40002236	ICE TRAY	2	2	2
3	45000572	F COMPARTMENT SHELF/345	1	1	
3	45000567	F COMPARTMENT SHELF/455			1
4	40002224	SHELF TRIM F/345	1	1	
4	40002274	SHELF TRIM F/455			1
5	30007915	DOOR LAMP SWITCH	1	1	1
6	45000571	R COMPARTMENT SHELF/345	3	3	
6	45000566	R COMPARTMENT SHELF/455			3
7	40002204	SHELF TRIM R/345	4	4	
7	40002205	SHELF TRIM R/455			4
8	45000573	CRISPER COVER SRGF/345	1	1	
8	45000561	CRISPER COVER SRGF/455			1
9	40002297	CRISPER COVER TRIM/345	1	1	
9	40002275	CRISPER COVER TRIM/455			1
10	40002295	CRISPER SRGF/345	1	1	
10	40002272	CRISPER SRGF/455			2
11	20073529	NAME PLATE/345T CARAD-ENG	1		
11	20073140	NAME PLATE/400T CARAD-ENG		1	
11	20073139	NAME PLATE/455T CARAD-ING(RD46T)			1
12	45000574	MAGIC SHELF/345	1	1	
12	45000565	MAGIC SHELF/455			1
13	30007919	THERMOSTAT BOX GR./345T	1	1	
13	30014340	THERMOSTAT BOX GR./455T			1
14	45000560	HEAT REFLECTOR FOIL	1	1	1
16	30007906	LAMP	1	1	1
17	30007907	LAMP HOLDER	1	1	1
18	30007908	WIRING ASSY./THERM./345T	1	1	
18	30014361	WIRING ASSY./THERM./455T			1
19	30007921	THERMOSTAT(DNFS077B6575)	1	1	1
20	40002254	THERMOSTAT BOX/345	1	1	1
21	35000743	SCREW 4.2*9.5 DIN 7981 YSB	1	1	1
22	35000730	THERMOSTAT KNOB SPRING	1	1	1
23	40002300	THERMOSTAT KNOB SRGF / 345	1	1	1
24	40002255	LAMP COVER	1	1	1

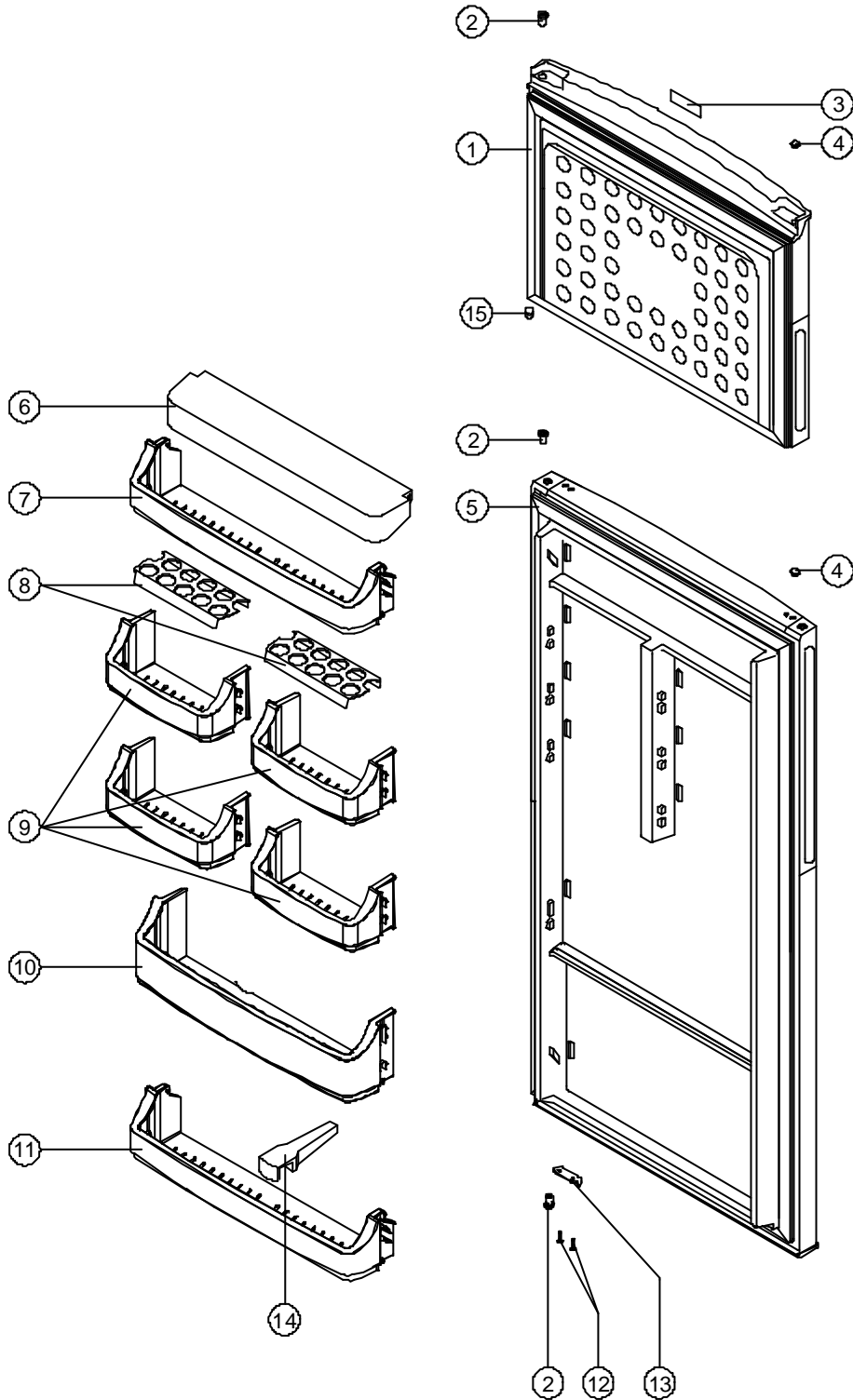
VESTEL WHITE GOODS CONSUMER SERVICE	TECHNICAL DEPARTMENT
--	---------------------------------

VESTEL
WHITE GOODS

VESTEL REFRIGERATOR

DOOR ASSY. PARTS
RD 36T - RD 40T - RD 46T

DECEMBER
2001



VESTEL
WHITE GOODS CONSUMER SERVICE

**TECHNICAL
DEPARTMENT**

VESTEL WHITE GOODS	VESTEL REFRIGERATOR	DECEMBER 2001
	DOOR ASSY. PARTS LIST RD 36T - RD 40T - RD 46T	

NO	CODE	PARTS NAME	RD 36T	RD 40T	RD 46T
1	20051058	F DOOR ASSY./345S SRGF	1		
1	20062053	F DOOR ASSY./400S SRGF		1	
1	20051055	F DOOR ASSY./455S SRGF			1
2	40002242	BUSHING / 345P	3	3	3
3	45002336	LOGO CARAD	1	1	1
4	40002243	BUSHING CAP	2	2	2
5	20051059	R DOOR ASSY./345S	1		
5	20062052	R DOOR ASSY./400S		1	
5	20051075	R DOOR ASSY./455S			1
6	40002298	SHELF COVER/345	1	1	
6	20048146	SHELF COVER/455 (BLUE)			1
7	40002310	SHELF/BUTTER/345	1	1	
7	20026196	SHELF/BUTTER/455			1
8	40007081	EGG HOLDER(I+II)345	1	1	
8	40007082	EGG HOLDER(I+II)455			1
9	40002299	EGG SHELF SRGF/345	4	4	
9	40002265	EGG SHELF SRGF/455			4
10	20026197	BOTTLE SHELF SRGF/345	1	1	
10	20026195	BOTTLE SHELF SRGF/455			1
11	40002316	BOTTOM SHELF SRGF/455			1
12	35000714	SCREW M5*14 WN 1342-H EJOT	2	2	2
13	35000712	R DOOR STOPPER	1	1	1
14	40002267	BOTTLE HOLDER	1	1	1
15	40006640	BUSHING/345S	1	1	1

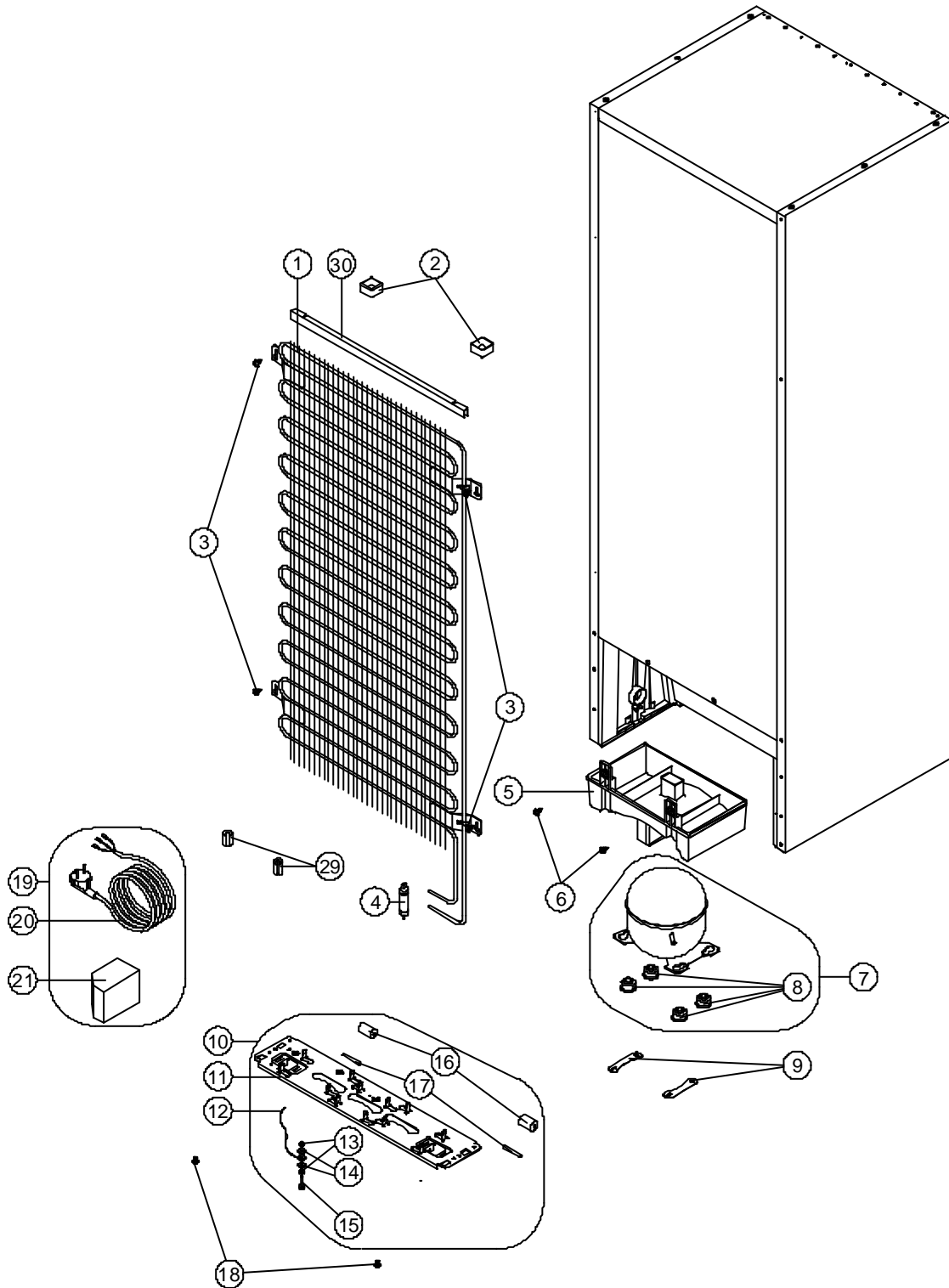
VESTEL WHITE GOODS CONSUMER SERVICE	TECHNICAL DEPARTMENT
--	---------------------------------

VESTEL
WHITE GOODS

VESTEL REFRIGERATOR

UNIT PARTS
RD 36T- RD40T

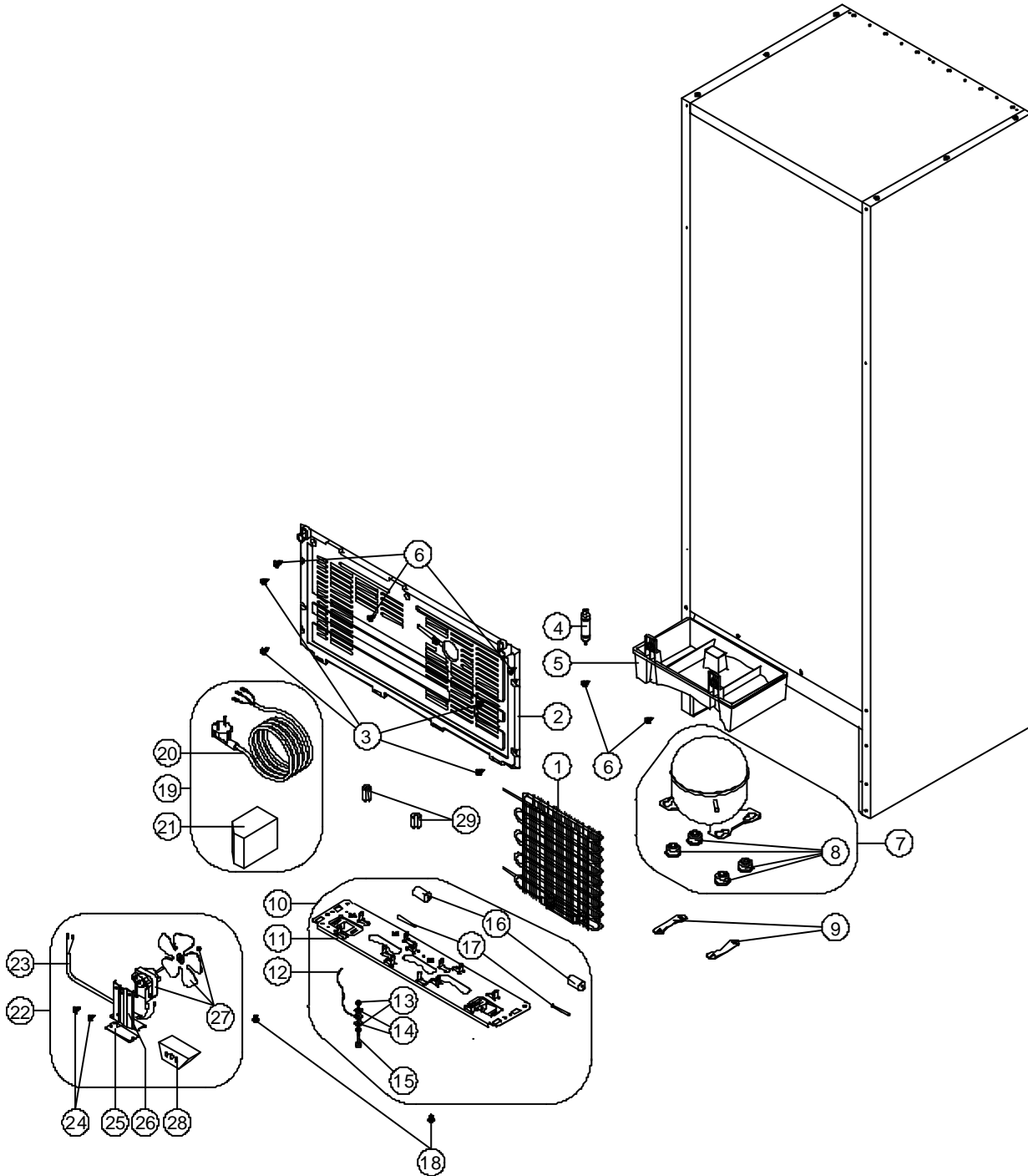
DECEMBER
2001



VESTEL
WHITE GOODS CONSUMER SERVICE

**TECHNICAL
DEPARTMENT**

VESTEL WHITE GOODS	VESTEL REFRIGERATOR	DECEMBER 2001
	UNIT PARTS RD 46T	



VESTEL WHITE GOODS CONSUMER SERVICE	TECHNICAL DEPARTMENT
---	---------------------------------------

VESTEL WHITE GOODS	VESTEL REFRIGERATOR	DECEMBER 2001
	UNIT PARTS LIST RD 36T - RD 40T - RD 46T	

NO	CODE	PARTS NAME	RD 36T	RD 40T	RD 46T
1	35004210	MAIN CONDANSER/345(D50)	1	1	
1	35000751	MAIN CONDANSER/455			1
2	40002180	SPACER	2	2	
2	40002263	UNIT COVER			1
3	35001817	SCREW 4.2*9.5 WITH WASHER	4	4	
3	35000728	SCREW KA 50*14 WN 1412 EJOT			4
4	35001697	DRYER(XH9.10GR)	1	1	1
5	40002264	EVAPORATING TRAY	1	1	1
6	35000743	SCREW 4.2*9.5 DIN 7981 YSB	2	2	5
7	30007916	COMPRESSOR (FG75HAK,NL7FT)	1	1	
7	30007910	COMPRESSOR (FG85HAK,NL9FT)			1
8	40007341	COMP.RUBBER	4	4	4
9	20020023	COMP FIXING BRACKET	2	2	2
10	20020103	COMP.BASEMENT GROUP/345	1	1	
10	20020050	COMP.BASEMENT GROUP/455			1
11	20020108	COMP BASEMENT/345	1	1	
11	20020020	COMP BASEMENT/455			1
12	30007904	GROUNDING WIRE	1	1	1
13	35000721	NUT M4*3.2 DIN 934 ZNK	2	2	2
14	35000722	WASHER 4.3*8*0.9 DIN 6798 ZNK	2	2	2
15	35000723	SCREW M4*16 DIN 933 ZNK	1	1	1
16	40002217	WHEEL	2	2	2
17	35000738	REAR WHEEL PIN	2	2	2
18	35000728	SCREW KA 50*14 WN 1412 EJOT	2	2	2
19	30007918	POWER CORD GR.FG85HAK/455-345	1	1	1
20	30007911	POWER CORD (2.1m)	1	1	1
21	30007909	OVER LOAD RELAY GR.FG85HAK/455-345	1	1	1
22	20020051	FAN MOTOR GR./455			1
23	30007905	WIRING HARNESS/FAN MOTOR/455			1
24	35002921	SCREW M4*10 DIN 7985 YSB			2
25	40002214	FAN BRACKET RUBBER			1
26	35000725	FAN MOTOR BRACKET			1
27	30007901	FAN MOTOR ASSY./455			1
28	40004182	COVER FAN MOTOR			1
29	40002210	ANTI - VIBRATION COND.	2	2	2
30	40004702	CONDENSER TRIM/345	1	1	

VESTEL WHITE GOODS CONSUMER SERVICE	TECHNICAL DEPARTMENT
--	---------------------------------------

VESTEL WHITE GOODS	VESTEL REFRIGERATOR	DECEMBER 2001
	UNIT PARTS LIST RD 36T - RD 40T - RD 46T	

NO	CODE	PARTS NAME	RD 36T	RD 40T	RD 46T
	50018979	USER'S MANUEL/GREEK	1	1	1
	20020107	PACKAGE GR.345 (SHRINK)	1		
	20030965	PACKAGE GR.400 (SHRINK)		1	
	20020064	PACKAGE GR.455 (SHRINK)			1
	50007466	STRAFOR BOTTOM/345	1	1	
	50007457	STRAFOR BOTTOM/455			1
	50007468	STRAFOR BACK CORNER/345	2		
	50007459	STRAFOR BACK CORNER/455		2	2
	50007467	STRAFOR FRONT CORNER/345	2		
	50007458	STRAFOR FRONT CORNER/455		2	2
	50007465	STRAFOR UPPER/345	1	1	
	50007460	STRAFOR UPPER/455			1
	50020708	PACKAGE LABEL/345S(T)CARAD-ENG	1		
	50020667	PACKAGE LABEL/400S(T)CARAD-ENG(RD40T)		1	
	50020665	PACKAGE LABEL/455S(T)CARAD-ENG(RD46T)			1
	50008335	CIRCUIT DIAGRAM/345T ENG	1	1	
	50016024	CIRCUIT DIAGRAM/455T(WITH RESISTANCE)			1
	50020664	WARRANTY LABEL/CARAD	1	1	1
	50020709	ENERGY LABEL/345S(T)CARAD	1		
	50020668	ENERGY PLATE STICKER/400S(T)CARAD(RD40T)		1	
	50020666	ENERGY LABEL/455S(T)CARAD(RD46T)			1
	50007618	OZON FRIENDLY LABEL	1	1	1

VESTEL WHITE GOODS CONSUMER SERVICE	TECHNICAL DEPARTMENT
--	---------------------------------

REVISION SHORT HISTORY:

NO:	REV. NO:	REV. DATE:	PAGE NO:	REV. REASON
01	00	21.12.2001	All	First publication

DISTRIBUTION :

<i>Greece-Carad</i>	<i>Date: 28.12.2001</i>
---------------------	-------------------------