

**DOUBLE DOOR REFRIGERATOR
FREEZER - FRIDGE**

Instruction booklet

ΨΥΓΕΙΟ ΔΙΠΟΡΤΟ

Οδηγίες Χρήσης

Index

BEFORE USING THE APPLIANCE	2
General warnings	2
Old and out-of-order fridges	4
Safety warnings	4
Installing and operating your fridge	5
Before Using your Fridge	5
THE VARIOUS FUNCTION AND POSSIBILITIES	6
Thermostat setting	6
Super switch	6
Warnings for Temperature Settings	7
Accessoires	7
Ice tray	7
Plastic scraper	8
Magic shelf	8
Bottle holder	8
ARRANGING FOOD IN THE APPLIANCE	9
Refrigerator compartment	9
Freezer compartment	9
CLEANING AND MAINTENANCE	10
Defrosting	11
Replacing the light bulb	12
SHIPMENT AND REPOSITIONING	12
Repositioning the Door	12
BEFORE CALLING YOUR AFTER SALES SERVICE	13
Tips for saving energy	14
THE PARTS OF THE APPLIANCE AND THE COMPARTMENTS	15

PART - 1. BEFORE USING THE APPLIANCE

General warnings

WARNING: Keep ventilation openings, in the appliance enclosure or in the built-in structure, clear of obstruction.

WARNING: Do not use mechanical devices or other means to accelerate the defrosting process, other than those recommended by the manufacturer.

WARNING: Do not use electrical appliances inside the food storage compartments of the appliance, unless they are of the type recommended by the manufacturer.

WARNING: Do not damage the refrigerant circuit.

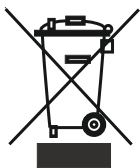
WARNING: To avoid a hazard due to the instability of the appliance, it must be fixed in accordance with the instructions.

- If your appliance uses R600a as a refrigerant – you can learn this information from the label on the cooler- you should be careful during shipment and installation to prevent your appliance's cooler elements from being damaged. Although R600a is an environmentally friendly and natural gas. As it is explosive, in the event of a leak due to damage to the cooler elements, move your fridge from open flame or heat sources and ventilate the room where the appliance is located for a few minutes.
- While carrying and positioning the fridge, do not damage the cooler gas circuit.
- Do not store explosive substances such as aerosol cans with a flammable propellant in this appliance.
- This appliance is intended to be used in household and similar applications such as;
 - staff kitchen areas in shops, offices and other working environments

- farm houses and by clients in hotels, motels and other residential type environments
- bed and breakfast type environments;
- catering and similar non-retail applications
- If the socket does not match the refrigerator plug, it must be replaced by the manufacturer, its service agent or similarly qualified persons in order to avoid a hazard.
- This appliance is not intended for use by persons (including children) with reduced physical, sensory or mental capabilities, or lack of experience and knowledge, unless they have been given supervision or instruction concerning use of the appliance by a person responsible for their safety. Children should be supervised to ensure that they do not play with the appliance.
- A specially grounded plug has been connected to the power cable of your refrigerator. This plug should be used with a specially grounded socket of 16 amperes. If there is no such socket in your house, please have it installed by an authorized electrician.
- If the supply cord is damaged, it must be replaced by the manufacturer, its service agent or similar qualified persons in order to avoid a hazard.

Old and out-of-order fridges

- If your old fridge has a lock, break or remove the lock before discarding it, because children may get trapped inside it and may cause an accident.



- Old fridges and freezers contain isolation material and refrigerant with CFC. Therefore, take care not to harm environment when you are discarding your old fridges.

Please ask your municipal authority about the disposal of the WEEE for the reuse, recycle and recovery purposes.

Notes:

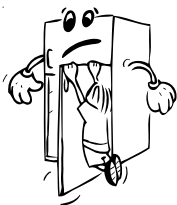
- Please read the instruction manual carefully before installing and using your appliance.
We are not responsible for the damage occurred due to misuse.
- Follow all instructions on your appliance and instruction manual, and keep this manual in a safe place to resolve the problems that may occur in the future.
- This appliance is produced to be used in homes and it can only be used in domestic environments and for the specified purposes. It is not suitable for commercial or common use. Such use will cause the guarantee of the appliance to be cancelled and our company will not be responsible for the losses to be occurred.
- This appliance is produced to be used in houses and it is only suitable for cooling / storing foods. It is not suitable for commercial or common use and/or for storing substances except for food. Our company is not responsible for the losses to be occurred in the contrary case.

Safety warnings

- Do not use multiple receptacles or extension cord.
- Do not plug in damaged, torn or old plugs.
- Do not pull, bend or damage the cord.



- This appliance is designed for use by adults, do not allow children to play with the appliance or let them hang off the door.
- Do not plug-in or out the plug from the receptacle with wet hands to prevent electrocution!
- Do not place glass bottles or beverage cans in the freezer department. Bottles or cans may explode.
- Do not place explosive or flammable material in your fridge for your safety. Place drinks with higher alcohol amount vertically and by closing their necks tightly in the fridge department.
- When taking ice made in the freezer department, do not touch it, ice may cause ice burns and/or cuts.
- Do not touch frozen goods with wet hands! Do not eat ice-cream and ice cubes immediately after you have taken them out of the freezer department!



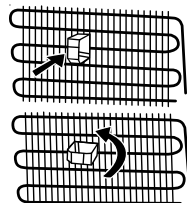
- Do not re-freeze frozen goods after they have melted. This may cause health issues like food poisoning.
- Do not cover the body or top of fridge with lace. This affects the performance of your fridge.
- Fix the accessories in the fridge during transportation to prevent damage to accessories.



Installing and operating your fridge

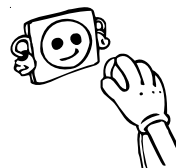
Before starting to use your fridge, you should pay attention to the following points:

- Operating voltage for your fridge is 220-240 V at 50Hz.
- We do not take the responsibility of the damages that occur due to ungrounded usage.
- Place your fridge in a place that it would not be exposed to direct sunlight.
- Your appliance should be at least 50 cm away from stoves, Gas ovens and heater cores, and should be at least 5 cm away from electrical ovens.
- Your fridge should never be used outdoors or left under the rain.
- When your fridge is placed next to a deep freezer, there should be at least 2 cm between them to prevent humidity on the outer surface.
- Do not place anything on your fridge, and install your fridge in a suitable place so that at least 15 cm is available on the upper side.
- The adjustable front legs should be adjusted to make sure your appliance is level and stable. You can adjust the legs by turning them clockwise (or in the opposite direction). This should be done before placing food in the fridge.
- Before using your fridge, wipe all parts back with warm water added with a tea spoonful of sodium bicarbonate, and then rinse with clean water and dry. Place all parts after cleaning.
- Install the plastic distance guide (the part with black vanes at the rear) by turning it 90° as shown in the figure to prevent the condenser from touching the wall.
- Refrigerator should be placed against a wall with a free distance not exceeding 75 mm.



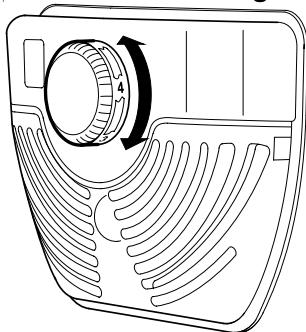
Before Using your Fridge

- When it is operated for the first time or after transportation, keep your fridge in the upright position for 3 hours and plug it on to allow efficient operation. Otherwise, you may damage the compressor.
- Your fridge may have a smell when it is operated for the first time; the smell will fade away when your fridge starts to cool.



PART - 2. THE VARIOUS FUNCTION AND POSSIBILITIES

Thermostat setting

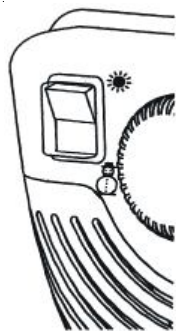


- Thermostat automatically regulates the inside temperature of the refrigerator compartment and freezer compartment. By rotating the knob from position 1 to 5, colder temperatures can be obtained. “•” position shows thermostat is closed and no cooling will be available.
- For short-term storage of food in the freezer compartment, you can set the knob between 1 and 3 position.
- For long-term storage of food in the freezer compartment, you can set knob 3-4 position.

Note that ; the ambient temperature, temperature of the freshly stored food and how often the door is opened, affects the temperature in the refrigerator compartment. If required, change the temperature setting.

Important note: Do not try to rotate knob beyond 1 position it will stop your appliance.

Super switch (If super switch is available)



- Normally set this switch to ‘★’ position. Except when the ambient temperature is low like in winter. (ie. below 16°C) or when the freezer temperature needs to be maintained lower. In that case, turn the switch to ‘❄️’ position ON.
- To set super switch ON that is on the thermostat box, press the switch down to ‘❄️’ position. The switch will lit.
- When the freezer compartment is cooled down to sufficient temperature, or the weather gets hot, turn the super switch off to save electrical consumption.

• When you first switch on the appliance, for starting a suitable cooling, the appliance should work 24 hours continuously until it cools down to sufficient temperature.

• In this time do not open the door so often and place a lot of food inside the appliance.

If the unit is switched off or unplugged, you must allow at least 5 minutes before restarting or re-plugged the unit in order not to damage the compressor.

Warnings for Temperature Settings

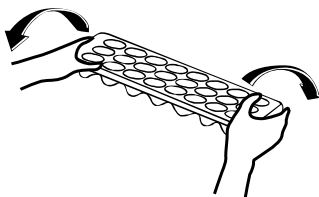
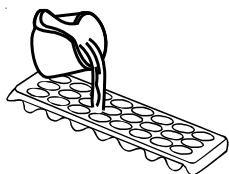
- The ambient temperature, temperature of the freshly stored food and how often the door is opened, affects the temperature in the refrigerator compartment. If required, change the temperature setting.
- It is not recommended that you operate your fridge in environments colder than 10°C in terms of its efficiency.
- The thermostat setting should be done by taking into consideration how often the fresh food and freezer doors are opened and closed, how much food is stored in the refrigerator, and the environment in which the refrigerator is located.
- Your fridge should be operated up to 24 hours according to the ambient temperature without interruption after being plugged in to be completely cooled. Do not open doors of your fridge frequently and do not place much food inside it in this period.
- While power cut, to prevent any compressor problem you should plug out the refrigerator. You should delay plugging in 5 – 10 minutes after you power supply. If you plug out the refrigerator for a reason you should wait at least 5 min to replug. It is important for avoiding damage to refrigerator's components.
- Your fridge is designed to operate in the ambient temperature intervals stated in the standards, according to the climate class stated in the information label. It is not recommended that your fridge is operated in the environments which are out of the stated temperature intervals in terms of cooling efficiency.

Climate Class	Ambient Temperature (°C)
T	Between 16 and 43 (°C)
ST	Between 16 and 38 (°C)
N	Between 16 and 32 (°C)
SN	Between 10 and 32 (°C)

Accessoires

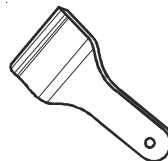
Ice tray

- Fill the ice tray with water and place in freezer compartment.
- After the water completely turned into ice, you can twist the tray as shown below to get the ice cube.

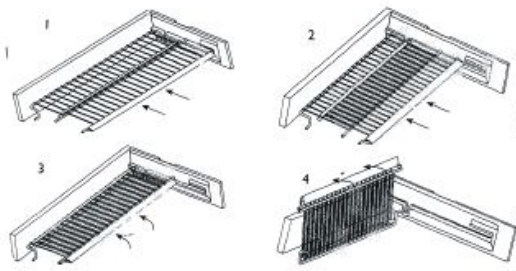


Plastic scraper

After a period of time, frost will build up in certain areas in the freezer compartment. The frost, accumulated in the freezer, should be removed periodically. Use the plastic scraper provided if necessary. Do not use sharp metal objects for this operation. They could puncture the refrigerator circuit and cause irreparable damage to the unit.



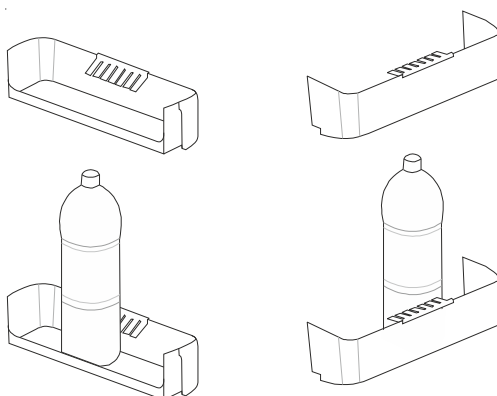
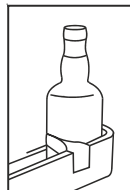
Magic shelf (In some models)



Magic shelf which is on the Crisper Cover(safety glass) (see part 7-page 15) was designed to give you more place and comfort placing the things in the appliance. This shelf is mobile so you can arrange long or big containers on the crisper cover.

Bottle holder (In some models)

In order to prevent the bottles to slip or fall over you can use the bottle holder. You can also prevent making noise that will be done when you open or close the door.



All written and visual descriptions in the accessories may vary according to the appliance model.

PART - 3. ARRANGING FOOD IN THE APPLIANCE

Refrigerator compartment

- To reduce humidity and consequent increase of frost never place liquids in unsealed containers in the refrigerator. Frost tends to concentrate in the coldest parts of the evaporator and in time will require more frequent defrosting.
- Never place warm food in the refrigerator. Warm food should be allowed to cool at room temperature and should be arranged to ensure adequate air circulation in the refrigerator compartment.
- Nothing should touch on the back wall as it will cause frost and the packages can stick on the back wall. Do not open the refrigerator door too frequently.
- Arrange the meat and cleaned fish(wrapped in packages or sheets of plastic) which you will use in 1-2 days,in the bottom section of the refrigerator compartment(that is above the crisper) as this is the coldest section and will ensure the best storing conditions.
- You can put the fruits and vegetables into crisper without packing.

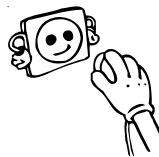
Freezer compartment

- The use of freezer is, storing of deep-frozen or frozen foods for long periods of time and making ice cubes.
- To freeze fresh food, ensure that as much of the surface as possible of food to be frozen is in contact with the cooling surface.
- Do not put fresh food with frozen on side by side as it can thaw the frozen food.
- While freezing fresh foods(i.e meat,fish and mincemeat), divide them in parts you will use in one time.
- Once the unit has been defrosted replace the foods into freezer and remember to consume them in as short period of time.
- Never place warm food in the freezer compartment. As it will disturb the frozen foods.
- For storing the frozen foods;the instructions shown on frozen food packages should always be followed carefully and if no information is provided food should not be stored for more than 3 months from the purchased date.
- When buying frozen foods ensure that these have been frozen at suitable temperatures and that the packing is intact.
- Frozen foods should be transported in appropriate containers to maintain the quality of the food and should be returned to the freezing surfaces of the unit in the shortest possible time.
- If a package of frozen food shows the sign of humidity and abnormal swelling it is probable that it has been previously stored at an unsuitable temperature and that the contents have deteriorated.
- The storage life of frozen foods depends on the room temperature, thermostat setting, how often the door is opened, the type of food and the length of time required to transport the product from the shop to your home. Always follow the instructions printed on the package and never exceed the maximum storage life indicated.

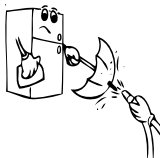
Not that; if you want to open again immediately after closing the freezer door, it will not be opened easily. It's quite normal! After reaching equilibrium condition, the door will be opened easily.

PART - 4. CLEANING AND MAINTENANCE

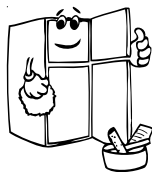
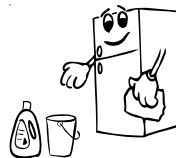
- Make sure to unplug the fridge before starting to clean it.



- Do not wash your fridge by pouring water.



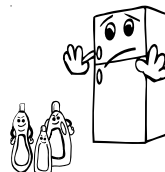
- You can wipe the inner and outer sides with a soft cloth or a sponge using warm and soapy water.



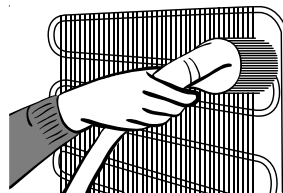
- Remove the parts individually and clean with soapy water. Do not wash in washing machine.



- Never use flammable, explosive or corrosive material like thinner, gas, acid for cleaning.



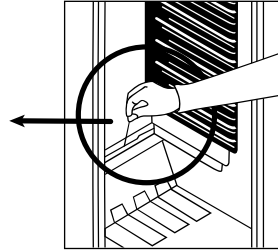
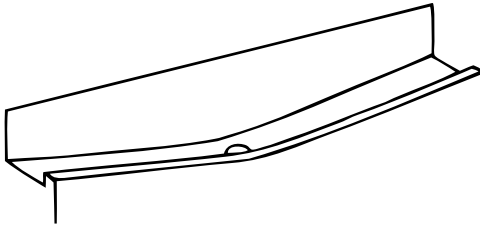
- You should clean the condenser with broom at least once a year in order to provide energy saving and increase the productivity.



Make sure that your fridge is unplugged while cleaning.

Defrosting

Refrigerator compartment;



- Defrosting occurs automatically in refrigerator compartment during operation ; the defrost water is collected by the evaporating tray and evaporates automatically.
- The evaporating tray and the defrost water drain hole should be cleaned periodically with defrost drain plug to prevent the water from collecting on the bottom of the refrigerator instead of flowing out.
- You can also pour 1/2 glass of the water to drain hole to clean inside.

Freezer compartment;

The frost, accumulated in the freezer compartment, should be removed periodically. (Use the plastic scraper provided) The freezer compartment should be cleaned in the way as the refrigerator compartment, with the defrost operations of the compartment at least twice a year.

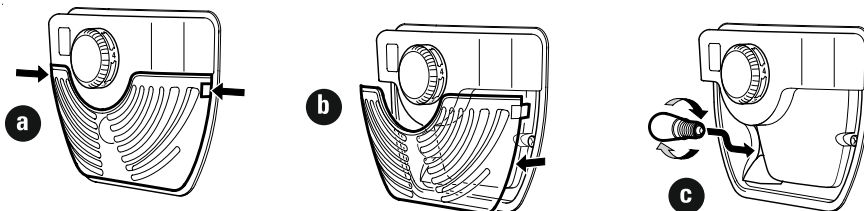
For this;

- The day before you defrost, set the thermostat dial to “5” position to freeze the foods completely.
- During defrosting, frozen foods should be wrapped in several layers of paper and kept in a cool place. The inevitable rise in temperature will shorten their storage life. Remember to use these foods within a relatively short period of time.
- Set thermostat knob to position “.” or unplug the unit; leave the door open until completely defrosted.
- To accelerate the defrosting process one or more basins of warm water can be placed in the freezer compartment.
- Dry the inside of the unit carefully and set the thermostat knob to MAX position.

Replacing the light bulb

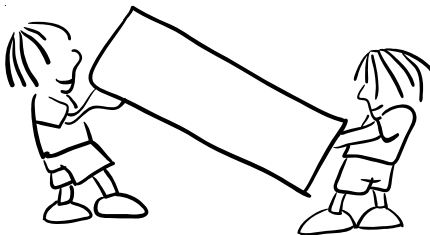
When replacing the light of the refrigerator compartment;

- 1- Unplug your fridge.
- 2- Remove the cover of the box from the claws using a screwdriver.
- 3- Replace with a bulb of maximum 15 Watts.
- 4- Install the cover.
- 5- Wait for 5 minutes before re-plugging and bring the thermostat to its original position.



PART - 5. SHIPMENT AND REPOSITIONING

- Original package and foam may be kept for re-transportation (optionally).
- You should fasten your fridge with thick package, bands or strong cords and follow the instructions for transportation on the package for re-transportation.
- Remove movable parts (shelves, accessories, vegetable bins etc.) or fix them into the fridge against shocks using bands during re-positioning and transportation.
- Carry your fridge in the upright positio.



Repositioning the Door

- It is not possible to change the opening direction of your fridge door, if the door handles on your fridge are installed from the front surface of the door.
- It is possible to change the opening direction of the door on models without any handles.
- If the door opening direction of your fridge may be changed, you should contact the nearest Authorized Service to have the opening direction changed.

PART - 6. BEFORE CALLING YOUR AFTER SALES SERVICE

If your refrigerator is not working properly, it may be a minor problem, therefore check the following, before calling an electrician to save time and money.

What to do if your refrigerator does not operate ;

Check that ;

- There is no power ,
- The general switch in your home is disconnected ,
- The thermostat setting is on “•” position ,
- The socket is not sufficient. To check this, plug in another appliance that you know which is working into the same socket.

What to do if your refrigerator performs poorly ;

Check that ;

- You have not overloaded the appliance ,
- The doors are closed perfectly ,
- There is no dust on the condenser ,
- There is enough place at the rear and side walls.

If there is noise ;

The cooling gas which circulates in the refrigerator circuit may make a slight noise (bubbling sound) even when the compressor is not running. Do not worry this is quite normal. If these sounds are different check that ;

- The appliance is well leveled
- Nothing is touching the rear.
- The stuffs on the appliance are vibrating.

If there is water in the lower part of the refrigerator ;

Check that ;

The drain hole for defrost water is not clogged (Use defrost drain plug to clean the drain hole)

Recommendations

- While power cut, to prevent any compressor problem you should plug out the refrigerator. You should delay plugging in 5 – 10 minutes after you power supply.
- If you plug out the refrigerator for a reason you should wait at least 5 min to replug. It is important for avoiding damage to refrigerator's components.
- The cooling unit of your refrigerator is hidden in the rear wall. Therefore, water droplets or icing may occur on the rear surface of your fridge due to the operation of the compressor in specified intervals. This is normal. There is no need to perform a defrosting operation unless the icing is excessive.
- If you will not use your fridge for a long time (e.g. in summer holidays), put the thermostat to “•” position. After defrosting, clean your fridge and leave the door open to prevent humidity and smell.
- If the problem persists after you have followed all the instructions above, please consult to the nearest Authorised Service.

- The appliance you have purchased is designed for home type use and can be used only at home and for the stated purposes. It is not suitable for commercial or common use. If the consumer use the appliance in a way that does not comply with these features, we emphasise that the producer and the dealer shall not be responsible for any repair and failure within the guarantee period.
- The lifetime of your appliance stated and declared by the Department of the Industry (the period for retaining parts required for the proper functioning of the appliance) is 10 years.

Conformity Information

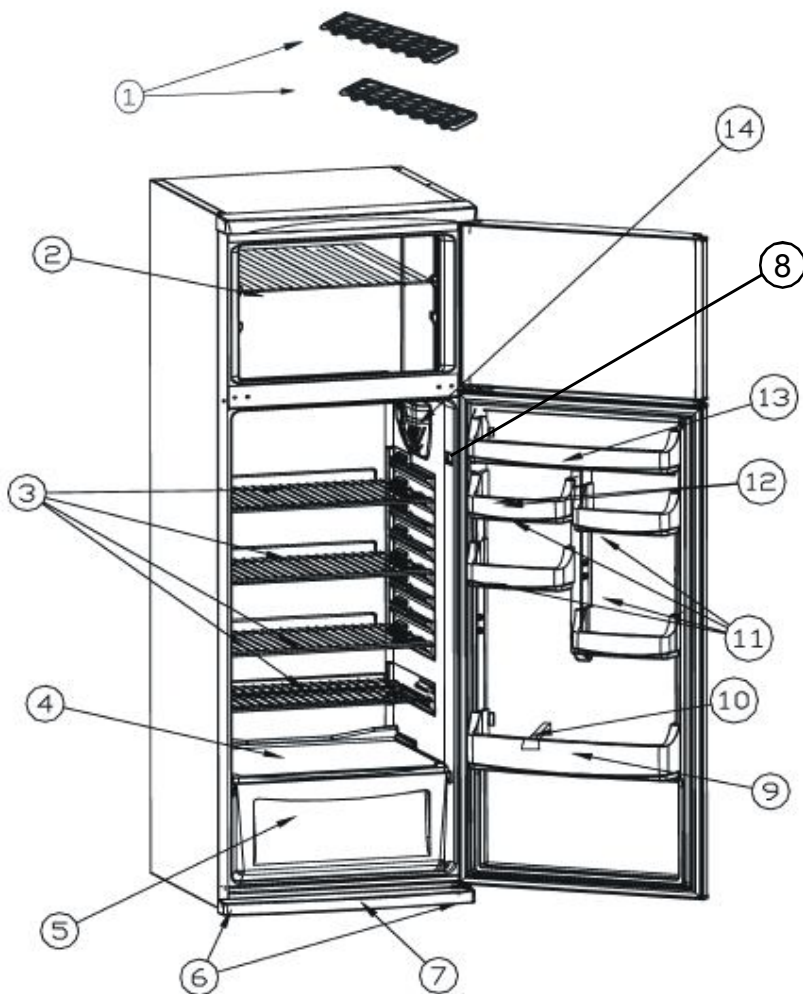
- This appliance is designed for use at an ambient temperature within the 16°C - 32°C range.
- The appliance is designed in compliance with the, IEC60335-1 / IEC60335-2-24, 2004/108/EC standards.

Tips for saving energy

- 1– Install the appliance in a coll, well vantilated room , but not in direct sunlight and not near heat source (radiator, cooker.. etc). Otherwise use an insulating plate.
- 2– Allow ward food and drinks to cool down outside the appliance.
- 3– When thawing frozen food, place it in the refrigerator compartment. The low temperature of the frozen food will help to cool the refrigerator compartment when it is thawing. So it causes energy saving. If the frozen food is put out, it causes wastage of energy.
- 4– When placing, drinks and slops they must be covered. Otherwise humidity increases at the appliance. Therefore the working time gets longer. Also covering drinks and slops helps to save smell and taste.
- 5– When placing food and drinks, open the appliance door as briefly as possible.
- 6– Keep close the covers of any different temreperature compartment in the appliance (crisper, chiller ...etc).
- 7– Door gasket must be clean and pliable. Replace gaskets if worn.

PART - 7.

THE PARTS OF THE APPLIANCE AND THE COMPARTMENTS



This presentation is only for information about the parts of the appliance.
Parts may vary according to the appliance model.

- 1) ICE TRAY
- 2) FREEZER SHELF
- 3) REFRIGERATOR SHELF
- 4) CRISPER COVER
- 5) CRISPER
- 6) LEVELING FEET
- 7) KICK PLATE

- 8) LAMP SWITCH
- 9) BOTTLE SHELF
- 10) BOTTLE HOLDER
- 11) EGG SHELF
- 12) EGG HOLDER
- 13) BUTTER/CHEESE SHELF
- 14) THERMOSTAT BOX

ΠΕΡΙΕΧΟΜΕΝΑ

ΠΡΙΝ ΑΠΟ ΤΗ ΧΡΗΣΗ ΤΗΣ ΣΥΣΚΕΥΗΣ	17
Ειδικές Οδηγίες	19
Προειδοποιήσεις ασφάλειας	19
Εγκατάσταση και λειτουργία του Ψυγιοκαταψύκτη σας	20
Πριν θέσετε σε λειτουργία τον ψυγιοκαταψύκτη σας	21
ΟΙ ΔΙΑΦΟΡΕΤΙΚΕΣ ΛΕΙΤΟΥΡΓΙΕΣ ΚΑΙ ΔΥΝΑΤΟΤΗΤΕΣ	21
Ρύθμιση Θερμοστάτη	21
Ειδικός Διακόπτης	22
Προειδοποιήσεις για τις ρυθμίσεις θερμοκρασίας	22
Εξαρτήματα	23
Παγοθήκες	23
Πλαστική ξύστρα	23
Στηρικτής μπουκαλιών	23
Μαγικό Ράφι	24
ΤΑΚΤΟΠΟΙΗΣΗ ΤΡΟΦΙΜΩΝ ΣΤΗ ΣΥΣΚΕΥΗ.....	24
Ψυκτικός χώρος	24
Θάλαμος Καταψύξεως	24
ΚΑΘΑΡΙΣΜΑ ΚΑΙ ΣΥΝΤΗΡΗΣΗ	26
Απόψυξη	27
Ψυκτικός Χώρος	27
Θάλαμος Κατάψυξης	27
Αντικατάσταση της Ηλεκτρικής Λάμπας Φωτισμού	28
ΜΕΤΑΦΟΡΑ ΚΑΙ ΑΛΛΑΓΗ ΤΗΣ ΘΕΣΗΣ ΕΓΚΑΤΑΣΤΑΣΗΣ.....	28
Αλλαγή της Κατεύθυνσης Ανοίγματος της Πόρτας	28
ΠΡΙΝ ΚΑΛΕΣΕΤΕ ΤΟ ΤΜΗΜΑ ΤΕΧΝΙΚΗΣ ΕΞΥΠΗΡΕΤΗΣΗΣ	29
Συμβουλές για να εξοικονομήσετε ενέργεια	30
ΤΑ ΜΕΡΗ ΤΗΣ ΣΥΣΚΕΥΗΣ ΚΑΙ ΟΙ ΘΑΛΑΜΟΙ.....	31

ΜΕΡΟΣ 1 ΠΡΙΝ ΑΠΟ ΤΗ ΧΡΗΣΗ ΤΗΣ ΣΥΣΚΕΥΗΣ

ΠΡΟΕΙΔΟΠΟΙΗΣΗ: Διατηρείτε ελεύθερα από περιορισμούς τα ανοίγματα εξαερισμού στο περίβλημα της συσκευής ή στην κατασκευή εντοιχισμού.

ΠΡΟΕΙΔΟΠΟΙΗΣΗ: Μη χρησιμοποιείτε μηχανικές διατάξεις ή άλλα μέσα για να επιταχύνετε τη διαδικασία της απόψυξης, εκτός από αυτά που συνιστά ο κατασκευαστής.

ΠΡΟΕΙΔΟΠΟΙΗΣΗ: Μη χρησιμοποιείτε ηλεκτρικές συσκευές μέσα στους θαλάμους φύλαξης τροφίμων της συσκευής, εκτός αν αυτές είναι του τύπου που συνιστά ο κατασκευαστής.

ΠΡΟΕΙΔΟΠΟΙΗΣΗ: Μην προκαλέσετε ζημιά στο κύκλωμα του ψυκτικού μέσου.

ΠΡΟΕΙΔΟΠΟΙΗΣΗ: Για να αποφύγετε κίνδυνο λόγω έλλειψης ευστάθειας της συσκευής, αυτή πρέπει να στερεωθεί σύμφωνα με τις οδηγίες.

- Εάν το μοντέλο σας περιέχει R600a - δείτε την πινακίδα στοιχείων στο εσωτερικό του ψυγείου (το ψυκτικό ισοβουτάνιο), αυτό είναι ένα φυσικό αέριο το οποίο είναι φιλικό προς το περιβάλλον αλλά επίσης αναφλέξιμο. Όταν μεταφέρετε και εγκαθιστάτε τη μονάδα πρέπει να φροντίζετε να εξασφαλίσετε ότι κανένα από τα μέρη του ψυκτικού κυκλώματος δεν θα υποστεί ζημιά. Σε περίπτωση ζημιάς αποφύγετε γυμνές φλόγες ή πηγές ανάφλεξης και αερίστε για λίγα λεπτά το χώρο στον οποίο έχει τοποθετηθεί η μονάδα.
- Μην αποθηκεύετε στη συσκευή αυτή εκρηκτικά υλικά όπως είναι τα δοχεία αεροζόλ με εύφλεκτο προωθητικό μέσο.
- Η συσκευή αυτή προορίζεται για οικιακή χρήση και παρόμοιες εφαρμογές όπως:
 - περιοχές κουζίνας προσωπικού σε καταστήματα, γραφεία και άλλα περιβάλλοντα εργασίας
 - αγροτικά σπίτια και από πελάτες σε ξενοδοχεία, μοτέλ και άλλα περιβάλλοντα οικιακού τύπου
 - περιβάλλοντα τύπου ενοικιαζόμενου δωματίου με πρωινό
 - κέτερινγκ και άλλες εφαρμογές μη λιανικής πώλησης

- Αν η πρίζα δεν ταιριάζει με το καλώδιο του ψυγείου, αυτή πρέπει να αντικατασταθεί από τον κατασκευαστή, τον αντιπρόσωπό του για τεχνική εξυπηρέτηση ή άλλα άτομα με παρόμοια εξουσιοδότηση, για την αποφυγή έκθεσης σε κινδύνους.
- Η συσκευή αυτή δεν προορίζεται για χρήση από άτομα (περιλαμβανομένων παιδιών) με μειωμένες σωματικές, αισθητηριακές ή πνευματικές ικανότητες ή με έλλειψη εμπειρίας και γνώσης, εκτός αν τα άτομα αυτά έχουν λάβει επιτήρηση ή καθοδήγηση σχετικά με τη χρήση της συσκευής από άτομο υπεύθυνο για την ασφάλειά τους. Τα παιδιά πρέπει να βρίσκονται υπό επίβλεψη, ώστε να εξασφαλίζεται ότι δεν παίζουν με τη συσκευή.
- Στο καλώδιο ρεύματος του ψυγείου σας έχει συνδεθεί ένα ειδικά γειωμένο φως. Το φως αυτό πρέπει να χρησιμοποιείται με ειδικά γειωμένη πρίζα 16 A. Αν δεν υπάρχει τέτοια πρίζα στο σπίτι σας, αναθέστε την εγκατάστασή της σε εξειδικευμένο ηλεκτρολόγο.
- Η συσκευή αυτή μπορεί να χρησιμοποιηθεί από παιδιά από 8 ετών και άνω και από άτομα με μειωμένες σωματικές, αισθητηριακές ή πνευματικές ικανότητες ή με έλλειψη εμπειρίας και γνώσης, αν τους έχει δοθεί επιτήρηση ή εκπαίδευση σχετικά με τη χρήση της συσκευής με ασφαλή τρόπο και κατανοούν τον ενεχόμενο κίνδυνο. Τα παιδιά δεν θα πρέπει να παίζουν με τη συσκευή. Ο καθαρισμός και η συντήρηση από το χρήστη δεν θα πρέπει να γίνεται από παιδιά χωρίς επίβλεψη.
- Αν υποστεί ζημιά το καλώδιο τροφοδοσίας, για να αποφύγετε κινδύνους πρέπει να αντικατασταθεί από τον κατασκευαστή, τον αντιπρόσωπό του για τεχνική εξυπηρέτηση ή άλλα άτομα με παρόμοια εξουσιοδότηση.

Ειδικές Οδηγίες

- Εάν αυτή η συσκευή πρόκειται να αντικαταστήσει ένα παλιό ψυγείο με λουκέτο, σπάστε ή αφαιρέστε την κλειδαριά ως μέτρο ασφαλείας πριν να το αποθηκεύσετε, ώστε να προστατεύσετε τα παιδιά που μπορεί να εγκλειστούν στη συσκευή ενώ παίζουν.
- Τα παλαιά ψυγεία και καταψύκτες περιέχουν αέρια μόνωσης και ψυκτικά υλικά που πρέπει να αφαιρεθούν με κατάλληλο τρόπο. Επιβεβαιώστε ότι οι σωληνώσεις του ψυκτικού σας δεν έχουν βλαφτεί.

Προσοχή;



Το προϊόν σας είναι επισήμασμένο με αυτό το σύμβολο. Αυτό σημαίνει ότι τα χρησιμοποιημένα ηλεκτρικά και ηλεκτρονικά προϊόντα δεν πρέπει να αναμιγνύονται με τα γενικά οικιακά απορρίμματα. Για τα προϊόντα αυτά υπάρχει διαφορετικό σύστημα συλλογής.

Αν θέλετε να απορρίψετε το προϊόν αυτό, απευθυνθείτε στις τοπικές σας αρχές και ρωτήστε σχετικά με τη σωστή μέθοδο τελικής διάθεσης.

ΣΗΜΑΝΤΙΚΗ ΣΗΜΕΙΩΣΗ:

Διαβάστε το παρόν εγχειρίδιο πριν από την εγκατάσταση και τη θέση σε λειτουργία της συσκευής. Ο κατασκευαστής δεν αναλαμβάνει καμιά ευθύνη εάν δε ληφθούν υπόψη οι κάτωθι λανθασμένοι τρόποι χρήσεως.

Προειδοποιήσεις ασφάλειας

- Μην χρησιμοποιείτε πολύπριζο ή καλώδιο προέκτασης.
- Μην εισάγετε ποτέ βύσμα με κατεστραμμένο ή φθαρμένο καλώδιο στην πρίζα.
- Ποτέ μην τραβάτε, κάμπτετε ή καταστρέφετε το καλώδιο.



- Το προϊόν είναι σχεδιασμένο για χρήση από ενήλικες· μην αφήνετε τα παιδιά να παίζουν με τη συσκευή και να κρεμιούνται από την πόρτα του ψυγείου.
- Ποτέ μην βγάζετε την πρίζα με βρεγμένα χέρια για να αποφύγετε τον κίνδυνο ηλεκτροπληξίας!
- Μην βάζετε ποτέ όξινα ποτά σε γυάλινα μπουκάλια και δοχεία στο τμήμα βαθιάς κατάψυξης του ψυγείου σας. Τα μπουκάλια και τα δοχεία μπορεί να εκραγούν.



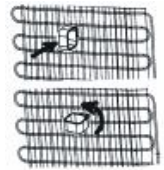
- Για την ασφάλειά σας, μην τοποθετείτε εκρηκτικά και εύφλεκτα υλικά στον ψυγειοκαταψύκτη σας. Τοποθετείτε τα ποτά με υψηλή περιεκτικότητα σε αλκοόλ στο ψυγείο της συσκευής σε κάθετη θέση με τα καπάκια τους σφιχτά κλεισμένα.
- Αποφεύγετε την επαφή με τον πάγο καθώς τον βγάζετε από το τμήμα βαθιάς κατάψυξης· ο πάγος μπορεί να προκαλέσει εγκαύματα ή/και πληγές.



- Μην αγγίζετε ποτέ τα παγωμένα τρόφιμα με γυμνά χέρια! Μην καταναλώνετε το παγωτό και τα παγάκια αμέσως μόλις τα βγάλετε από τη βαθιά κατάψυξη!
- Μην επαναψύχετε τα παγωμένα τρόφιμα αφού αποψυχθούν. Μπορεί να θέσετε σε κίνδυνο την υγεία σας, καθώς ενδέχεται να προκληθούν προβλήματα όπως τροφική δηλητηρίαση.
- Μην καλύπτετε το σώμα ή/και το πάνω μέρος του ψυγιοκαταψύκτη με υφάσματα, τραπεζομάντιλα κλπ. Η απόδοση του ψυγείου σας θα μειωθεί.
- Ασφαλίστε τα εξαρτήματα στο εσωτερικό της συσκευής ώστε να αποτρέψετε τυχόν ζημιές κατά τη μετακίνηση.

Εγκατάσταση και λειτουργία του Ψυγιοκαταψύκτη σας

- Η τάση λειτουργίας του ψυγείου σας είναι 220-240 V και 50 Hz.
- Η εταιρεία μας δεν φέρει ευθύνη για βλάβες που ενδέχεται να προκύψουν από τη χρήση της συσκευής χωρίς εγκατάσταση γείωσης.
- Τοποθετήστε τον ψυγιοκαταψύκτη σας σε κατάλληλο σημείο που δεν εκτίθεται απευθείας στο φως του ήλιου.
- Πρέπει να βρίσκεται σε απόσταση τουλάχιστον 50 εκ. από πηγές θερμότητας όπως εστίες, φούρνους, καλοριφέρ και ηλεκτρικές κουζίνες και τουλάχιστον 5 εκ. από ηλεκτρικούς φούρνους.
- Ο ψυγιοκαταψύκτης σας δεν πρέπει να χρησιμοποιείται στην ύπαιθρο και δεν πρέπει να παραμένει εκτεθειμένος στη βροχή.
- Αν ο ψυγιοκαταψύκτης σας είναι τοποθετημένος δίπλα σε βαθιά κατάψυξη, πρέπει να υπάρχει απόσταση τουλάχιστον 2 εκ. μεταξύ τους ώστε να αποτρέπεται η δημιουργία υδρατμών στις εξωτερικές επιφάνειες.
- Μην τοποθετείτε βαριά αντικείμενα πάνω στον ψυγιοκαταψύκτη σας και τοποθετήστε τον σε κατάλληλο σημείο ούτως ώστε να υπάρχει ελεύθερος χώρος τουλάχιστον 15 εκ. από την οροφή.
- Αν πρόκειται να τοποθετήσετε τον ψυγιοκαταψύκτη σας δίπλα στα ντουλάπια της κουζίνας, πρέπει να αφήσετε απόσταση τουλάχιστον 2 εκ. μεταξύ τους.
- Για να αποτρέψετε την επαφή του συμπυκνωτή (του μαύρου εξαρτήματος με το δίχτυ στο πίσω μέρος) με τον τοίχο, τοποθετήστε το πλαστικό εξάρτημα για τη διατήρηση της απόστασης στη θέση του περιστρέφοντάς το κατά 90°.
- Για να διασφαλίσετε την ομαλή λειτουργία του ψυγιοκαταψύκτη σας χωρίς δονήσεις, τα μπροστινά πόδια του πρέπει να ρυθμιστούν στο κατάλληλο ύψος και να είναι στο ίδιο ύψος μεταξύ τους. Για να βεβαιωθείτε περιστρέψτε τα πόδια με τη φορά των δεικτών του ρολογιού (ή αντίθετα). Αυτή η διαδικασία πρέπει να πραγματοποιηθεί πριν τοποθετήσετε τα τρόφιμα στο ψυγείο.
- Πριν χρησιμοποιήσετε το ψυγείο σας, καθαρίστε όλα τα μέρη του με ζεστό νερό στο οποίο θα προσθέσετε μια κουταλιά του γλυκού μαγειρική σόδα, και στη συνέχεια ξεπλύνετε με κρύο νερό και στεγνώστε τα. Αφού ολοκληρώσετε τη διαδικασία του καθαρισμού, βάλτε όλα τα μέρη στη θέση τους.



Πριν θέσετε σε λειτουργία τον ψυγειοκαταψύκτη σας

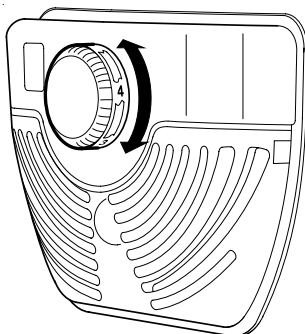
- Την πρώτη φορά που θα θέσετε σε λειτουργία τον ψυγειοκαταψύκτη σας ή προκειμένου να διασφαλίσετε την αποτελεσματική λειτουργία της συσκευής μετά τις διαδικασίες επανατοποθέτησης, αφήστε το αδρανές για 3 ώρες (σε κάθετη θέση), και στη συνέχεια βάλτε το βύσμα στην πρίζα. Διαφορετικά, ενδέχεται να προκαλέσετε βλάβη στον συμπυκνωτή.



- Την πρώτη φορά που θα λειτουργήσει το ψυγείο σας, μπορεί να εκλυθεί μια οσμή. Η οσμή αυτή θα εξαφανιστεί μόλις το ψυγείο σας αρχίσει να ψύχεται.

ΜΕΡΟΣ 2 ΟΙ ΔΙΑΦΟΡΕΤΙΚΕΣ ΛΕΙΤΟΥΡΓΙΕΣ ΚΑΙ ΔΥΝΑΤΟΤΗΤΕΣ

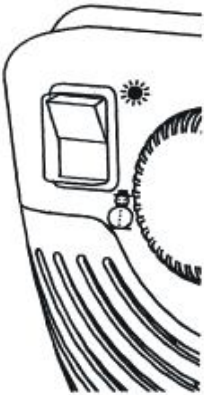
Ρύθμιση Θερμοστάτη



- Ο θερμοστάτης ρυθμίζει αυτόματα την εσωτερική θερμοκρασία του ψυκτικού χώρου και του θαλάμου καταψύξεως. Γυρίζοντας το κουμπί από τη θέση Min. στη θέση Max. μπορούν να επιτευχθούν χαμηλότερες θερμοκρασίες.
- Για βραχυχρόνια αποθήκευση τροφίμων στο θάλαμο καταψύξεως, μπορείτε να ρυθμίσετε το κουμπί μεταξύ των θέσεων Min. και Med. (1-3)
- Για μακροχρόνια αποθήκευση τροφίμων στο θάλαμο καταψύξεως, ρυθμίστε το κουμπί στη θέση Med. (2-4)
- Σημειώστε ότι η θερμοκρασία περιβάλλοντος, η θερμοκρασία των φρέσκων αποθηκευμένων τροφίμων και η συχνότητα ανοίγματος της πόρτας του ψυγείου, επηρεάζουν τη θερμοκρασία του ψυκτικού χώρου. Εάν είναι απαραίτητο, αλλάξτε τη ρύθμιση της θερμοκρασίας.

Ειδικός Διακόπτης (Σε ορισμένα μοντέλα)

Αν διατίθεται διακόπτης “super” (ταχείας κατάψυξης)



- Κανονικά, ρυθμίστε αυτό το διακόπτη στη θέση (*). Εκτός από όταν η θερμοκρασία περιβάλλοντος είναι χαμηλή, όπως το χειμώνα (δηλαδή κάτω από 16 °C) ή όταν η θερμοκρασία του καταψύκτη πρέπει να διατηρηθεί χαμηλότερη. Σ' αυτήν την περίπτωση, γυρίστε το διακόπτη αυτό στη θέση “ON” (☺).
- Για να θέσετε στη θέση ενεργοποίησης το διακόπτη Super που βρίσκεται στο κουτί του θερμοστάτη, πιέστε τον κόκκινο διακόπτη προς τα κάτω στη θέση “☺”. Ο διακόπτης θα ανάψει.
- Όταν ο θάλαμος της κατάψυξης ψυχθεί μέχρι μια ικανοποιητική θερμοκρασία, ή όταν ο καιρός γίνει ζεστός, κλείστε τον ειδικό διακόπτη για να κάνετε οικονομία στη κατανάλωση ηλεκτρισμού.

Προειδοποιήσεις για τις ρυθμίσεις θερμοκρασίας

- Η θερμοκρασία περιβάλλοντος, η θερμοκρασία των τροφίμων που μόλις φυλάχθηκαν και η συχνότητα που ανοίγει η πόρτα είναι παράγοντες που επηρεάζουν τη θερμοκρασία στο θάλαμο συντήρησης. Αν απαιτείται, αλλάξτε τη ρύθμιση θερμοκρασίας.
- Από άποψης απόδοσης, δεν συνιστάται να χρησιμοποιείτε το ψυγείο σας σε περιβάλλον πιο ψυχρό από 10 °C.
- Η ρύθμιση του θερμοστάτη θα πρέπει να γίνεται λαμβάνοντας υπόψη πόσο συχνά ανοίγουν και κλείνουν οι πόρτες θαλάμου συντήρησης και κατάψυξης, πόσα τρόφιμα φυλάσσονται στο ψυγείο και το περιβάλλον όπου βρίσκεται το ψυγείο.
- Για να ψυχθεί πλήρως, το ψυγείο σας μετά τη σύνδεσή του στο ρεύμα, θα πρέπει να λειτουργεί έως 24 ώρες χωρίς διακοπή, ανάλογα με τη θερμοκρασία περιβάλλοντος. Στο διάστημα αυτό μην ανοίγετε συχνά τις πόρτες του ψυγείου σας και μην τοποθετείτε μέσα πολλά τρόφιμα.
- Για την αποφυγή πρόκλησης ζημιάς στο συμπιεστή του ψυγείου σας, έχει προβλεφθεί μια λειτουργία καθυστέρησης 5 λεπτών όταν αποσυνδέετε και συνδέετε πάλι το φισ ρευματοληψίας του ψυγείου σας στην πρίζα ή για περίπτωση διακοπής ρεύματος. Το ψυγείο σας θα αρχίσει να λειτουργεί κανονικά μετά από 5 λεπτά.
- Το ψυγείο σας έχει σχεδιαστεί να λειτουργεί στις περιοχές θερμοκρασιών περιβάλλοντος που αναφέρονται στα πρότυπα, σύμφωνα με την κατηγορία κλίματος που αναφέρεται στην πληροφοριακή ετικέτα. Από άποψη ψυκτικής απόδοσης, δεν συνιστάται η λειτουργία του ψυγείου σας σε περιβάλλον με θερμοκρασίες εκτός των αναφερόμενων περιοχών θερμοκρασίας

Κατηγορία κλίματος	Θερμοκρασία περιβάλλοντος (°C)
T	Μεταξύ 16 και 43 (°C)
ST	Μεταξύ 16 και 38 (°C)
N	Μεταξύ 16 και 32 (°C)
SN	Μεταξύ 10 και 32 (°C)

Εξαρτήματα

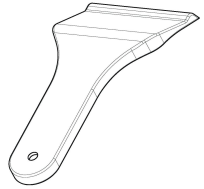
Παγοθήκες

- Γεμίστε με νερό τις παγοθήκες και βάλτε τις μέσα στην κατάψυξη.
- Αφού το νερό παγώσει τελείως, στρίψτε τις παγοθήκες όπως φαίνεται στο σχέδιο παρακάτω, για να βγάλετε τα παγάκια.



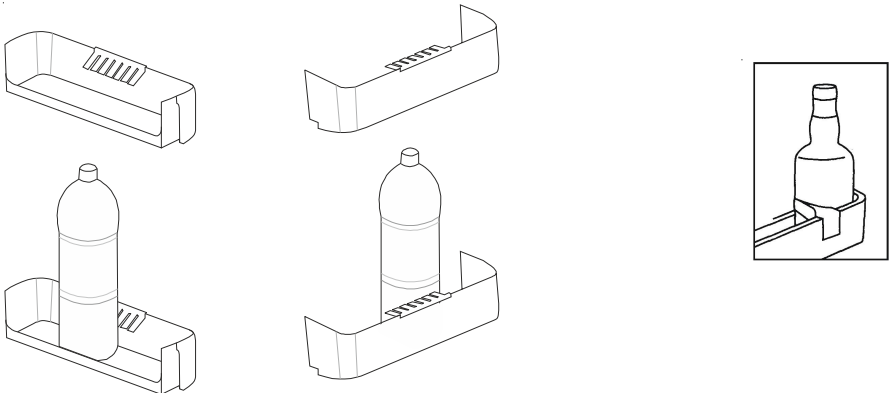
Πλαστική ξύστρα (Σε ορισμένα μοντέλα)

Μετά από κάποια χρονική περίοδο, θα συσσωρευτεί πάχνη σε ορισμένες περιοχές στο θάλαμο κατάψυξης. Η πάχνη που συσσωρεύεται στο θάλαμο κατάψυξης θα πρέπει να αφαιρείται περιοδικά. Χρησιμοποιείτε την παρεχόμενη πλαστική ξύστρα αν χρειάζεται. Μη χρησιμοποιείτε αιχμηρά μεταλλικά αντικείμενα για το σκοπό αυτό. Θα μπορούσαν να τρυπήσουν το ψυκτικό κύκλωμα και να προξενήσουν ανεπανόρθωτη ζημιά στη μονάδα.

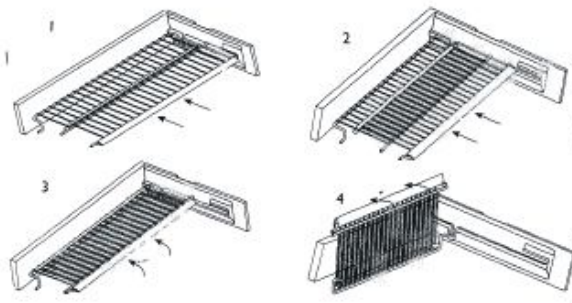


Στηρικτής μπουκαλιών (Σε ορισμένα μοντέλα)

Για την αποφυγή πεσίματος των μπουκαλιών από την μπουκαλοθήκη χρησιμοποιείτε τον ειδικό στηρικτή. Μπορείτε επίσης χρησιμοποιώντας αυτό το εξάρτημα να αποφύγετε τυχόν θορύβους που κάνουν όταν χτυπιούνται μεταξύ τους.



Μαγικό Ράφι (Σε ορισμένα μοντέλα)



Το μαγικό ράφι που βρίσκεται πάνω από το συρταρωτό διαμέρισμα για τα λαχανικά (βλέπε μέρος 7-σελίδα 31) έχει σχεδιαστεί να σας δίνει περισσότερο χώρο και άνεση στην τοποθέτηση των αντικειμένων στη συσκευή. Αυτό το ράφι είναι κινητό, για να μπορείτε να τοποθετήσετε μακριά ή μεγάλα δοχεία πάνω στο συρταρωτό διαμέρισμα για τα λαχανικά.

ΜΕΡΟΣ 3 ΤΑΚΤΟΠΟΙΗΣΗ ΤΡΟΦΙΜΩΝ ΣΤΗ ΣΥΣΚΕΥΗ

Ψυκτικός χώρος

- Για να μειωθεί η υγρασία και η ενδεχόμενη αύξηση του πάγου, μην τοποθετείτε ποτέ υγρά σε ασφράγιστα δοχεία στο ψυγείο. Ο πάγος έχει την τάση να συμπυκνώνεται στα κυριότερα μέρη του αποστακτήρα και τελικά θα απαιτείται πιο συχνή απόψυξη.
- Μην τοποθετείτε ποτέ ζεστά τρόφιμα στο ψυγείο. Τα ζεστά τρόφιμα πρέπει να κρυώσουν σε θερμοκρασία δωματίου και πρέπει να τακτοποιούνται στο ψυγείο με έναν τρόπο ώστε να επιβεβαιωθεί η επαρκής κυκλοφορία αέρος στον ψυκτικό χώρο.
- Τίποτα δεν πρέπει να αγγίζει το οπίσθιο τοίχωμα, αφού αυτό μπορεί να προκαλέσει πάγο και οι συσκευασίες μπορεί να κολλήσουν στο οπίσθιο τοίχωμα. Μην ανοίγετε την πόρτα του ψυγείου πολύ συχνά.
- Τακτοποιήστε τα κρέατα και τα καθαρισμένα ψάρια (τυλιγμένα σε συσκευασίες ή σε πλαστικά φύλλα) που πρόκειται να χρησιμοποιηθούν σε 1-2 ημέρες, στο κάτω μέρος του ψυκτικού χώρου (πάνω από το συρταρωτό διαμέρισμα για τα λαχανικά), αφού είναι το πιο κρύο μέρος του ψυγείου και θα εξασφαλίζει καλύτερες συνθήκες αποθηκεύσεως.
- Μπορείτε να τοποθετείτε τα φρούτα και τα λαχανικά στο συρταρωτό διαμέρισμα για τα λαχανικά χωρίς συσκευασία.

Θάλαμος Καταψύξεως

- Η χρήση του καταψύκτη είναι να αποθηκεύει τα πολύ καταψυγμένα ή κατεψυγμένα τρόφιμα για μακροπρόθεσμα χρονικά διαστήματα και για παγοποίηση
- **Για να καταψύξετε φρέσκα τρόφιμα**, επιβεβαιώστε ότι η επιφάνειά που καλύπτουν,

πρέπει να έρχεται σε άμεση επαφή με την επιφάνεια ψύξης.

- Μην τοποθετείτε τα φρέσκα τρόφιμα κοντά σε κατεψυγμένα τρόφιμα, επειδή μπορεί να ξεπαγώσουν τα κατεψυγμένα.
- Ενώ καταψύχετε φρέσκα τρόφιμα (δηλαδή κρέας, ψάρια, και κιμά) χωρίστε τα στα μέρη που θα χρησιμοποιήσετε κάθε φορά.
- Αφού κάνετε απόψυξη, τοποθετήστε τα τρόφιμα στην κατάψυξη και καταναλώστε τα το γρηγορότερο δυνατόν.
- Μην τοποθετείτε ποτέ ζεστά τρόφιμα στην κατάψυξη, αφού θα πειραχθούν τα ήδη κατεψυγμένα τρόφιμα.
- **Για διατήρηση των κατεψυγμένων τροφίμων:** οι οδηγίες πάνω στις συσκευασίες των κατεψυγμένων τροφίμων πρέπει να ακολουθούνται προσεκτικά και σε περίπτωση που δεν έχει εφοδιασθεί καμία πληροφορία, τα τρόφιμα δεν πρέπει να διατηρούνται για περισσότερο από τρεις μήνες από την ημερομηνία αγοράς.
- **Όταν αγοράζετε κατεψυγμένα τρόφιμα,** να επιβεβαιώνετε ότι έχουν καταψυχθεί υπό κατάλληλες θερμοκρασίες, και ότι η συσκευασία είναι ακέραια.
- Κατεψυγμένα τρόφιμα πρέπει να μεταφέρονται σε κατάλληλα δοχεία, ώστε να διατηρηθεί η ποιότητά τους, και πρέπει να επιστραφούν στην κατάψυξη το γρηγορότερο δυνατόν.
- Εάν μια συσκευασία κατεψυγμένων τροφίμων δείχνει σημάδια υγρασίας ή μη φυσικά εξογκώματα, είναι πιθανό να έχει αποθηκευθεί προηγουμένως σε μια ακατάλληλη θερμοκρασία και τα περιεχόμενα να έχουν αλλοιωθεί.
- **Ο χρόνος διατήρησης των κατεψυγμένων τροφίμων** εξαρτάται από τη θερμοκρασία δωματίου, τη ρύθμιση του θερμοστάτη, τη συχνότητα ανοίγματος της πόρτας, το είδος των τροφίμων, και το χρονικό διάστημα που απαιτείται για τη μεταφορά του προϊόντος από το κατάστημα μέχρι το σπίτι σας. Πάντοτε να μεταφέρετε τα τρόφιμα αμέσως στο σπίτι. Πάντοτε να ακολουθείτε τις οδηγίες πάνω στη συσκευασία και ποτέ να μην υπερβαίνετε τη μέγιστη ενδεικνυόμενη διάρκεια διατήρησης.

ΜΕΡΟΣ 4 ΚΑΘΑΡΙΣΜΑ ΚΑΙ ΣΥΝΤΗΡΗΣΗ

- Πριν τον καθαρισμό, αποσυνδέετε πάντα τη μονάδα από το δίκτυο ρεύματος.



- Μην καθαρίζετε τη συσκευή χύνοντας πάνω της νερό.



- Ο θάλαμος συντήρησης θα πρέπει να καθαρίζεται περιοδικά με διάλυμα σόδας ζαχαροπλαστικής σε χλιαρό νερό.



- Καθαρίζετε τα αξεσουάρ χωριστά με σαπούνι και νερό. Μην τα πλένετε στο πλυντήριο πιάτων.



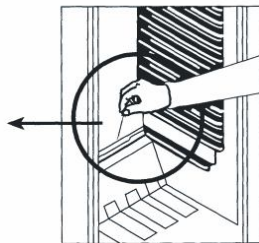
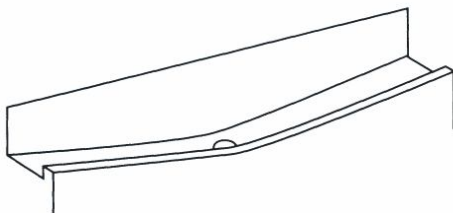
- Μη χρησιμοποιείτε οποιαδήποτε προϊόντα καθώς και απορρυπαντικά ή σαπούνια που χαράζουν. Μετά το πλύσιμο, ξεπλύνετε τα με καθαρό νερό και στεγνώστε τα προσεκτικά. Όταν έχετε τελειώσει τις διαδικασίες καθαρισμού, συνδέστε πάλι το φις της μονάδας στην πρίζα με στεγνά χέρια.



- Θα πρέπει να καθαρίζετε το συμπυκνωτή με σκούπα μια φορά το χρόνο για λόγους εξοικονόμησης ενέργειας και για αυξημένη απόδοση.



Απόψυξη Ψυκτικός Χώρος



- Η απόψυξη μπορεί να γίνει αυτομάτως στον ψυκτικό χώρο, ενώ αυτός λειτουργεί. Το νερό της απόψυξης μαζεύεται από το δοχείο φορέα και εξατμίζεται αυτομάτως.
- Η τρυπά υδρορροής και το δοχείο φορέας του νερού απόψυξης πρέπει να καθαρίζονται κατά καιρούς με το βύσμα υδρορροής, ώστε να αποφευχθεί η συσσώρευση νερού στο κάτω μέρος του ψυγείου αντί να ρέει έξω.
- Μπορείτε επίσης να ρίξετε ½ ποτήρι νερό στην τρύπα υδρορροής για να καθαρίσετε το εσωτερικό της.

Θάλαμος Κατάψυξης

Ο πάγος, που καλύπτει τα ράφια στον θάλαμο κατάψυξης, πρέπει να αφαιρείται περιοδικά. (χρησιμοποιήστε τον πλαστικό ξύστη που παρέχεται με τη συσκευή). Ο θάλαμος κατάψυξης πρέπει να καθαριστεί με παρόμοιο τρόπο με αυτόν που καθαρίζεται ο ψυκτικός χώρος με λειτουργία απόψυξης δυο φορές το χρόνο.

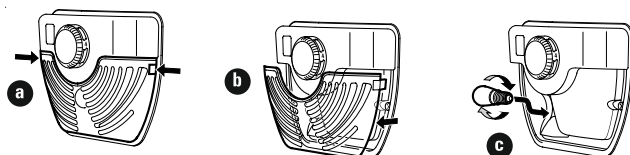
Για αυτό:

- Μια ημέρα πριν να κάνετε την απόψυξη, ρυθμίστε το θερμοστάτη στη θέση (5)MAX., ώστε να παγώσουν τελείως τα τρόφιμα.
- Κατά την διάρκεια της απόψυξης, τα κατεψυγμένα τρόφιμα πρέπει να συσκευασθούν σε πολλά φύλλα χαρτιού και να κρατηθούν σε δροσερό μέρος. Η αναπόφευκτη αύξηση της θερμοκρασίας θα μειώσει τη διάρκεια αποθήκευσής τους. Θυμηθείτε να χρησιμοποιήσετε αυτά τα τρόφιμα εντός μιας σχετικά σύντομης χρονικής περιόδου.
- Ρυθμίστε το κουμπί του θερμοστάτη στη θέση «•» ή αποσυνδέστε τη μονάδα. Αφήστε ανοιχτή την πόρτα μέχρι την πλήρη απόψυξη.
- Για να επιταχύνετε τη διαδικασία απόψυξης, τοποθετήστε μία ή περισσότερες λεκάνες με ζεστό νερό στο θάλαμο του καταψύκτη.
- Στεγνώστε το εσωτερικό της μονάδας προσεκτικά.

Αντικατάσταση της Ηλεκτρικής Λάμπας Φωτισμού

Όταν αντικαθιστάτε την λάμπα του ψυκτικού χώρου

1. Αποσυνδέστε τη συσκευή από το ηλεκτρικό ρεύμα
2. Πιέστε τους γάντζους στην πλευρά του καλύμματος της λάμπας, και το κάλυμμα θα αφαιρεθεί.
3. Αλλάξτε τη λάμπα με μια άλλη, όχι περισσότερων των 15 W.
4. Τοποθετήστε το κάλυμμα της λάμπας και μετά από 5 λεπτά ανασυνδέστε τη συσκευή στο ηλεκτρικό ρεύμα.



ΜΕΡΟΣ 5

ΜΕΤΑΦΟΡΑ ΚΑΙ ΑΛΛΑΓΗ ΤΗΣ ΘΕΣΗΣ ΕΓΚΑΤΑΣΤΑΣΗΣ

Μεταφορά και Αλλαγή της Θέσης Εγκατάστασης

- Οι αρχικές συσκευασίες και τα αφρώδη πολυστυρένια μπορούν να χρησιμοποιηθούν εάν είναι απαραίτητο.
- Στη μεταφορά, η συσκευή πρέπει να δεθεί με μια φαρδιά λωρίδα ή ένα δυνατό σκοινί. Οι κανόνες που είναι γραμμένοι πάνω στο αυλακωτό κουτί πρέπει να εφαρμοσθούν κατά τη διάρκεια της μεταφοράς.
- Πριν από τη μεταφορά ή την αλλαγή θέσης εγκατάστασης, όλα τα κινούμενα αντικείμενα (δηλαδή ράφια, συρταρωτό διαμέρισμα για τα λαχανικά...) πρέπει να αφαιρεθούν ή να δεθούν με λωρίδες, ώστε να μη κουνηθούν.



Αλλαγή της Κατεύθυνσης Ανοίγματος της Πόρτας (Σε ορισμένα μοντέλα)

Σε περίπτωση που χρειαστείτε να αλλάξετε την πλευρά από την οποία ανοίγει η πόρτα, συμβουλευτείτε το τοπικό τμήμα εξυπηρέτησης πελατών μετά την πώληση.

Εάν το ψυγείο σας δεν λειτουργεί σωστά, μπορεί να οφείλεται σε έναν ασήμαντο λόγο, επομένως, πριν να καλέσετε τον ηλεκτρολόγο σας, ελέγξτε τα ακόλουθα, για να εξοικονομήσετε χρόνο και χρήματα.

Τι να κάνετε εάν το ψυγείο σας δεν λειτουργεί.

Ελέγξτε ότι

- Δεν υπάρχει καμία διακοπή ρεύματος.
- Ο γενικός διακόπτης του σπιτιού σας δεν έχει αποσυνδεθεί.
- Ο θερμοστάτης δεν είναι ρυθμισμένος στη θέση «*».
- Η πρίζα είναι αποδοτική και σωστά συνδεδεμένη στην υποδοχή.
- Η υποδοχή είναι αποδοτική. Για να το ελέγξετε αυτό, συνδέστε μια άλλη συσκευή, που γνωρίζετε ότι λειτουργεί, στην ίδια υποδοχή.

Τι να κάνετε εάν το ψυγείο σας δεν λειτουργεί σωστά;

Ελέγξτε ότι:

- Η συσκευή δεν είναι υπερφορτωμένη.
- Οι πόρτες είναι τελείως κλειστές.
- Δεν υπάρχει σκόνη στο συμπυκνωτή.
- Υπάρχει αρκετός χώρος στο πίσω μέρος του ψυγείου.

Εάν υπάρχει θόρυβος;

Το ψυχανθικό αέριο που κυκλοφορεί στο κύκλωμα του ψυγείου μπορεί να κάνει έναν ελαφρύ θόρυβο (ήχο από φυσαλίδες) ακόμη όταν ο συμπυκνωτής δεν λειτουργεί. Μην ανησυχήσετε, αυτό είναι πολύ φυσικό. Ένα αυτοί οι ήχοι είναι διαφορετικοί, ελέγξτε ότι:

- Η συσκευή είναι σε οριζόντια θέση με το έδαφος.
- Τίποτα δεν αγγίζει το πίσω μέρος.
- Τα πράγματα πάνω στο ψυγείο δεν δονούνται.

Εάν υπάρχει νερό στο κάτω μέρος του ψυγείου;

Ελέγξτε ότι:

τρίπτα υδρορροής για το νερό απόψυξης δεν είναι μπλοκαρισμένη. (χρησιμοποιήστε το βύσμα υδρορροής της απόψυξης για να καθαρίσετε την τρίπτα υδρορροής)

Συστάσεις

- Για να αυξήσετε το χώρο και να βελτιώσετε την εμφάνιση, το «τμήμα ψύχρανσης» της συσκευής αυτής έχει τοποθετηθεί μέσα στο πίσω τοίχωμα φυκτικού χώρου. Όταν η συσκευή λειτουργεί, το τοίχωμα αυτό καλύπτεται από πάγο ή από σταγόνες νερού, ανάλογα με το εάν ο συμπυκνωτής λειτουργεί ή όχι. Μην ανησυχείτε. Αυτό είναι πολύ φυσικό. Η συσκευή πρέπει να αποψύχεται μόνο εάν δημιουργηθεί ένα πολύ παχύ στρώμα πάγου πάνω στο τοίχωμα (περισσότερο από 5 χιλιοστά). Για να το κάνετε αυτό, γυρίστε το κουμπί του θερμοστάτη.
- Εάν η συσκευή δεν χρησιμοποιηθεί για πολύ καιρό (για παράδειγμα κατά τη διάρκεια των καλοκαιρινών διακοπών) ρυθμίστε το κουμπί του θερμοστάτη του θαλάμου που

πρόκειται να αποσυνδεθεί (συνήθως του ψυκτικού χώρου) στη θέση «Ο». Κάντε απόψυξη και καθαρίστε το ψυγείο αφήνοντας την πόρτα ανοιχτή, ώστε να μην δημιουργηθούν μούχλα και οσμές.

- Για να απενεργοποιήσετε τη συσκευή εντελώς, αποσυνδέστε την από το ηλεκτρικό ρεύμα (για καθαρίσματα και όταν οι πόρτες παραμένουν ανοιχτές).

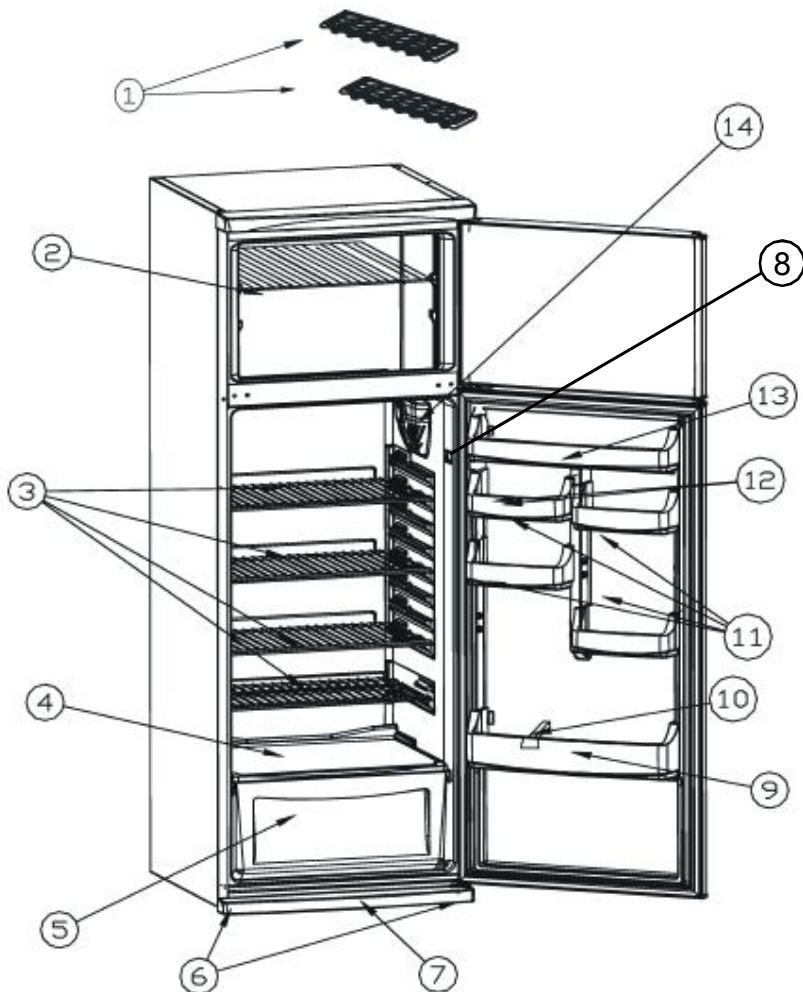
Πληροφορίες συμμόρφωσης

- Ο εξοπλισμός αυτός έχει σχεδιαστεί για χρήση σε θερμοκρασία περιβάλλοντος εντός της περιοχής 16°C - 32°C.
- Η συσκευή έχει σχεδιαστεί σε συμμόρφωση με τα πρότυπα IEC60335-1 / IEC60335-2-24, 2004/108/EK.

Συμβουλές για να εξοικονομήσετε ενέργεια

- 1— Πραγματοποιήστε εγκατάσταση της συσκευής σε δροσερό, καλά αεριζόμενο δωμάτιο, αλλά όχι σε απευθείας έκθεση στο φως του ήλιου ούτε κοντά σε πηγή θερμότητας (καλοριφέρ, εστία, κ.λπ.). Διαφορετικά, χρησιμοποιήστε μονωτική πλάκα.
- 2— Αφήνετε τα τρόφιμα και ποτά να κρύνουν εκτός της συσκευής.
- 3— Όταν αποψύχετε κατεψυγμένα τρόφιμα, τοποθετήστε τα στο ψυγείο. Η χαμηλή θερμοκρασία των κατεψυγμένων τροφίμων θα συμβάλλει στην ψύξη του ψυγείου ενώ αποψύχονται. Έτσι, εξοικονομείται ενέργεια. Όταν τοποθετείτε τα κατεψυγμένα τρόφιμα εκτός ψυγείου, σπαταλάτε ενέργεια.
- 4— Τα ποτά και υγρά τρόφιμα που αποθηκεύονται πρέπει να είναι καλυμμένα. Διαφορετικά, αυξάνεται η υγρασία εντός της συσκευής και, κατά συνέπεια, αυξάνεται ο χρόνος λειτουργίας. Επίσης, καλύπτοντας ποτά και υγρά τρόφιμα αποφεύγετε την έκλυση οσμών.
- 5— Κατά την αποθήκευση τροφίμων και ποτών, ανοίγετε την πόρτα της συσκευής όσο το δυνατόν λιγότερο.
- 6— Διατηρείτε κλειστά τα καλύμματα των τμημάτων της συσκευής που έχουν διαφορετική θερμοκρασία (συρτάρι, ψύκτης, κ.λπ.).
- 7— Η φλάντζα στεγανοποίησης της πόρτας πρέπει να είναι καθαρή και ελαστική. Αντικαθιστάτε τις κατεστραμμένες φλάντζες.

ΜΕΡΟΣ 7 ΤΑ ΜΕΡΗ ΤΗΣ ΣΥΣΚΕΥΗΣ ΚΑΙ ΟΙ ΘΑΛΑΜΟΙ



Η παρουσίαση αυτή προορίζεται μόνο για πληροφόρηση σχετικά με τα μέρη της συσκευής.

Τα μέρη μπορεί να διαφέρουν ανάλογα με το μοντέλο της συσκευής.

- 1) ΠΑΓΟΘΗΚΗ
- 2) ΠΑΓΟΘΗΚΗ
- 3) Ανεμιστήρας
- 4) ΚΑΛΥΜΑ ΦΡΟΥΤ/ΚΑΝΗΣ(ΓΥΑΛΙΝΟ)
- 5) ΦΡΟΥΤΟΛΕΚΑΝΗ
- 6) ΡΥΘΜΙΖΟΜΕΝΑ ΠΟΔΑΡΑΚΙΑ
- 7) ΚΑΤΩ ΜΑΣΚΑ

- 8) ΔΙΑΚΟΠΤΗΣ ΛΑΜΠΑΣ
- 9) ΜΕΣΑΙΑ ΜΠΟΥΚΑΛΟΘΗΚΗ
- 10) ΣΤΗΡΙΚΤΗΣ ΜΠΟΥΚΑΛΙΩΝ
- 11) ΡΑΦΙ ΑΥΓΟΘΗΚΗΣ
- 12) ΑΥΓΟΘΗΚΗ
- 13) ΒΟΟΥΤΗΡΟΘΗΚΗ
- 14) ΚΟΥΤΙ ΘΕΡΜΟΣΤΑΤΗ

