

NOTES:

I6	ISSD6		BY6/AP6
ISS	DATE	DESCRIPTION OF ISSUE	BY APP

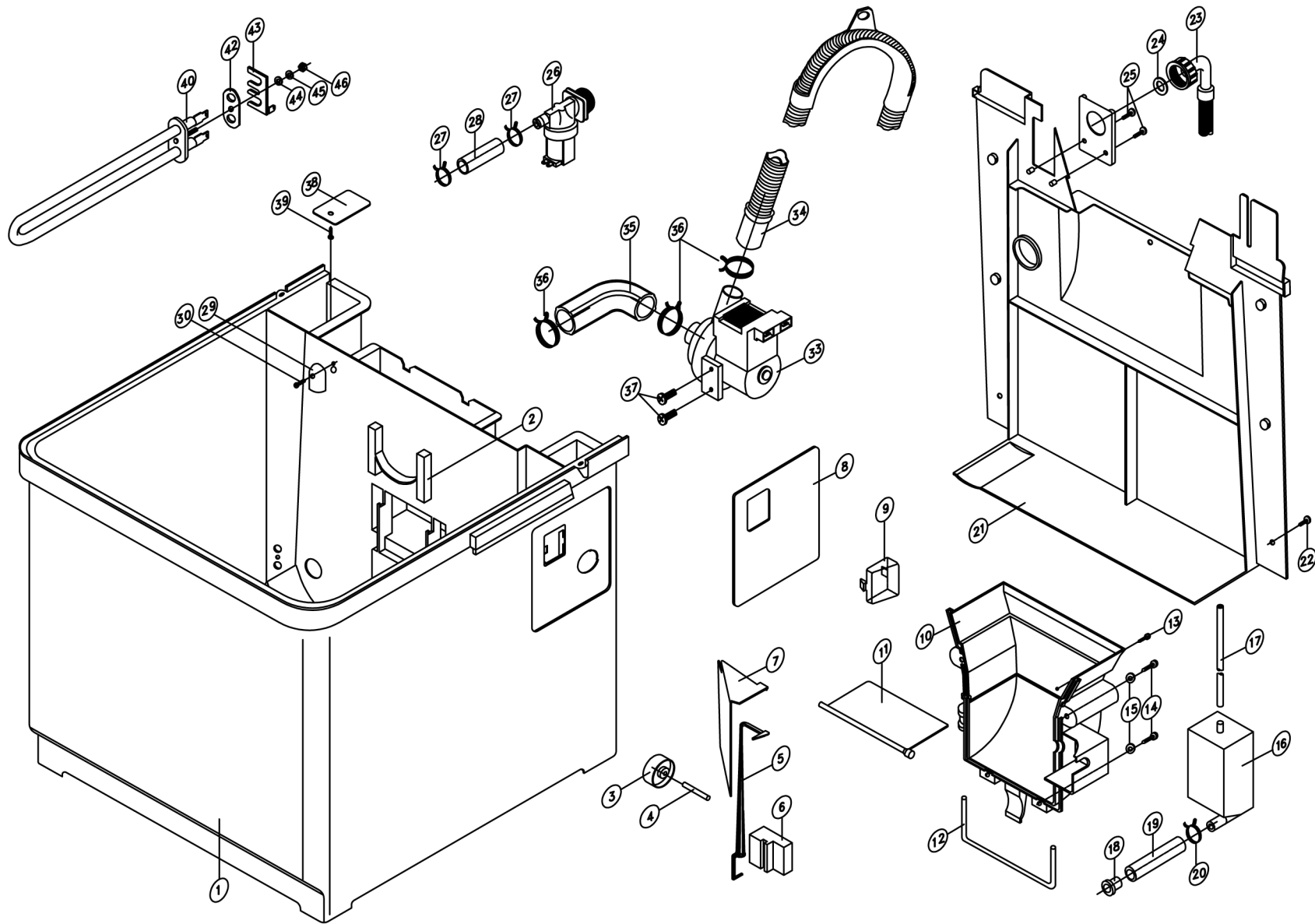
DRAWN BY:	PEX
CHECKED BY:	CSV
MATERIAL:	MB30

DEPT.	DP
BLDG NO	0
DWG LIS	1/2
	0

CARAD

TITLE
MB30
MOTOR_BLOCK+DRUM

DRAWING NUMBER		SPMB30B	
FILE NAME		SPMB30B	
SIZE:	SZ	ISSUE:	IS
SHT:	SHT		-



NOTES:

I6	ISSD6	N	BY6/AP6	DRAWN BY:	DEPT. DP
I5	ISSD5	N	BY5/AP5	PEX	BLDG NO 3
I4	ISSD4	N	BY4/AP4	CHECKED BY:	DWG LIST
I3	ISSD3	N	BY3/AP3	CSV	SCALE:
I2	ISSD2	N	BY2/AP2	MATERIAL:	/
I1	01/99	HEATERFUSE	BY CV	CWM	
ISS	DATE	DESCRIPTION OF ISSUE	BY APP		

CARAD

TITLE
MB30
DRUM+BACK

DRAWING NUMBER SPMB30A	
FILE NAME SPMB30A	
SIZE: S	ISSUE: 02
SHT: S	VER