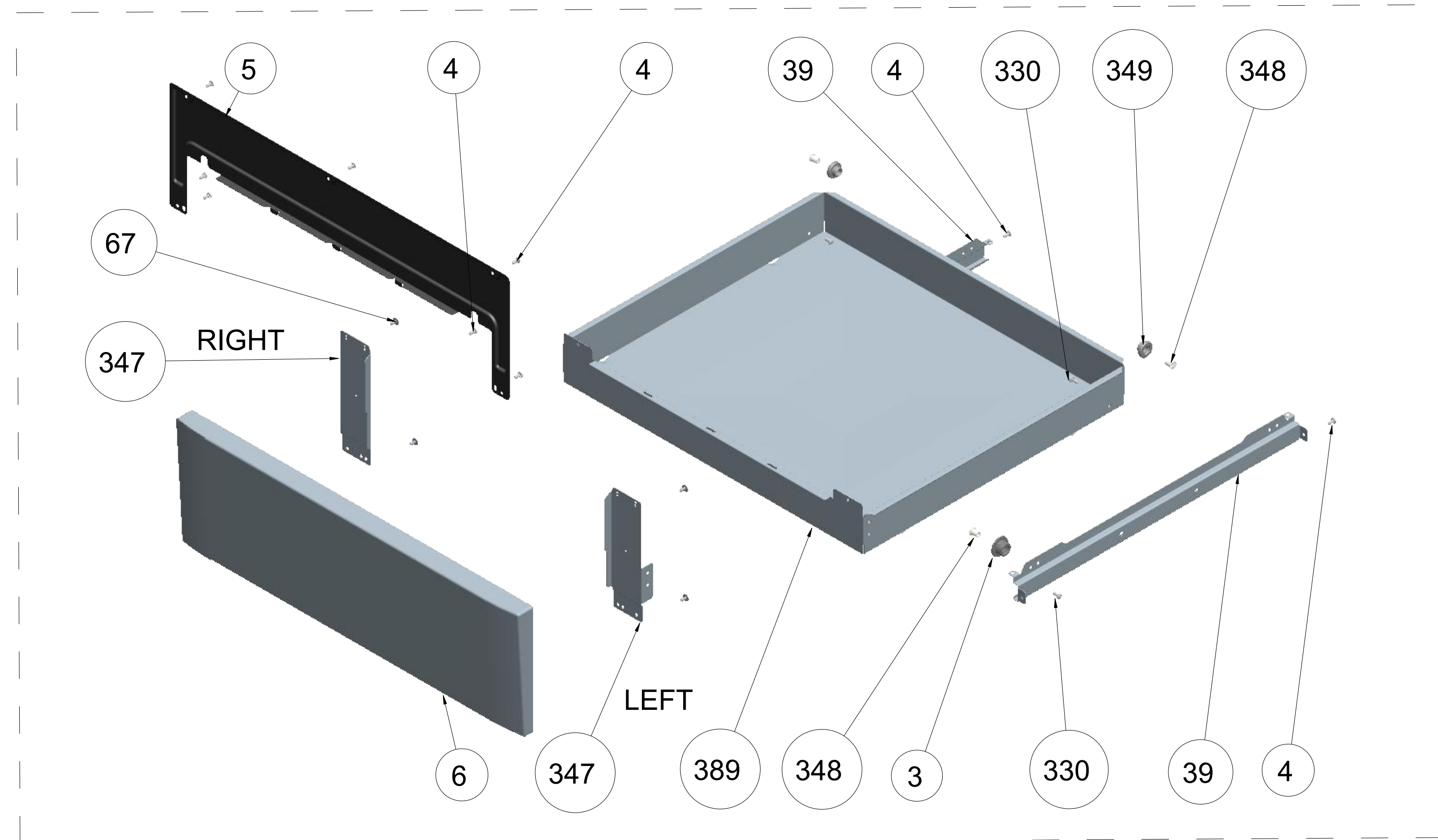
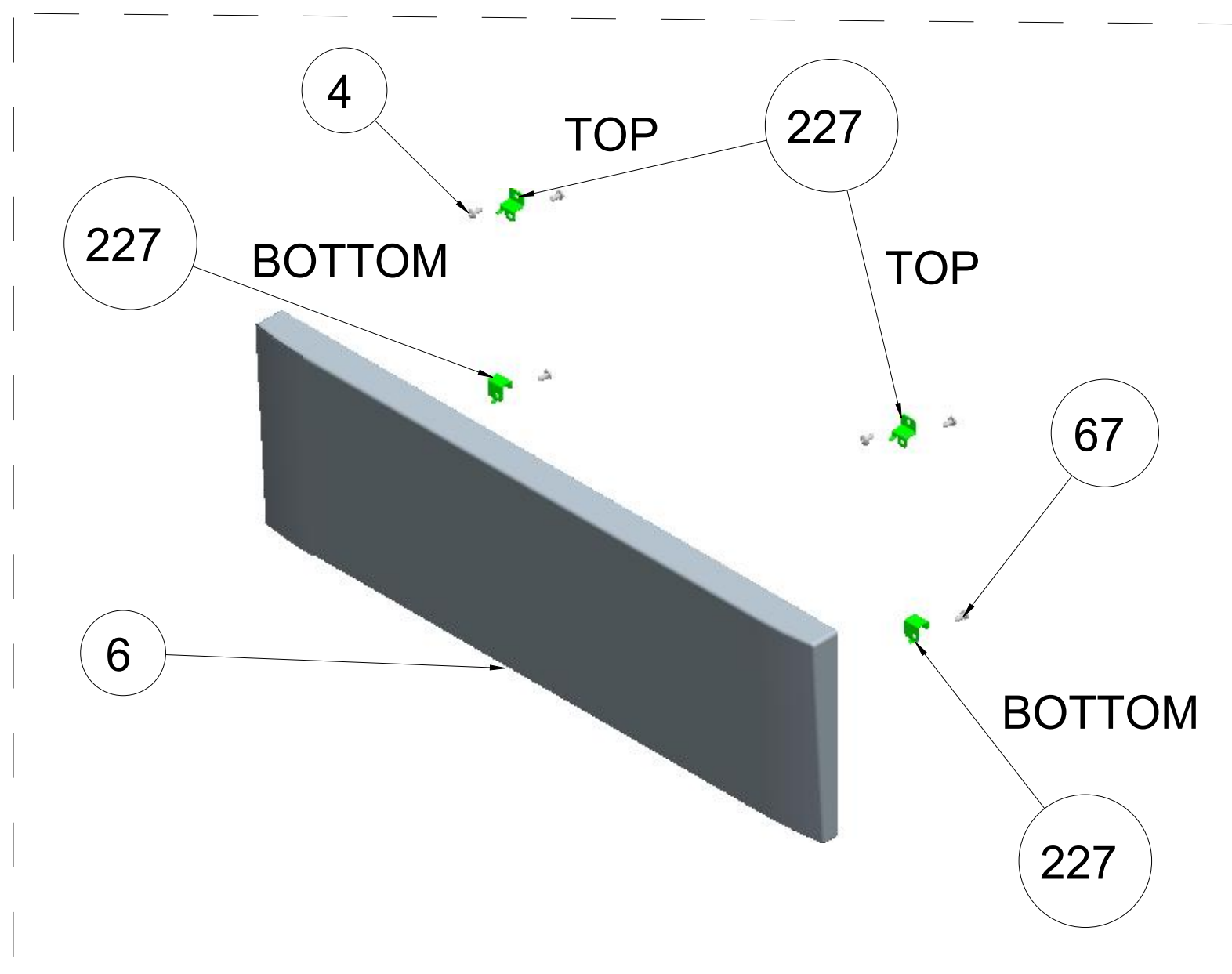


PUSH-PULL FLAP DRAWER ASSEMBLY
(OPTIONAL)



4WG DRAWER ASSEMBLY
(OPTIONAL)

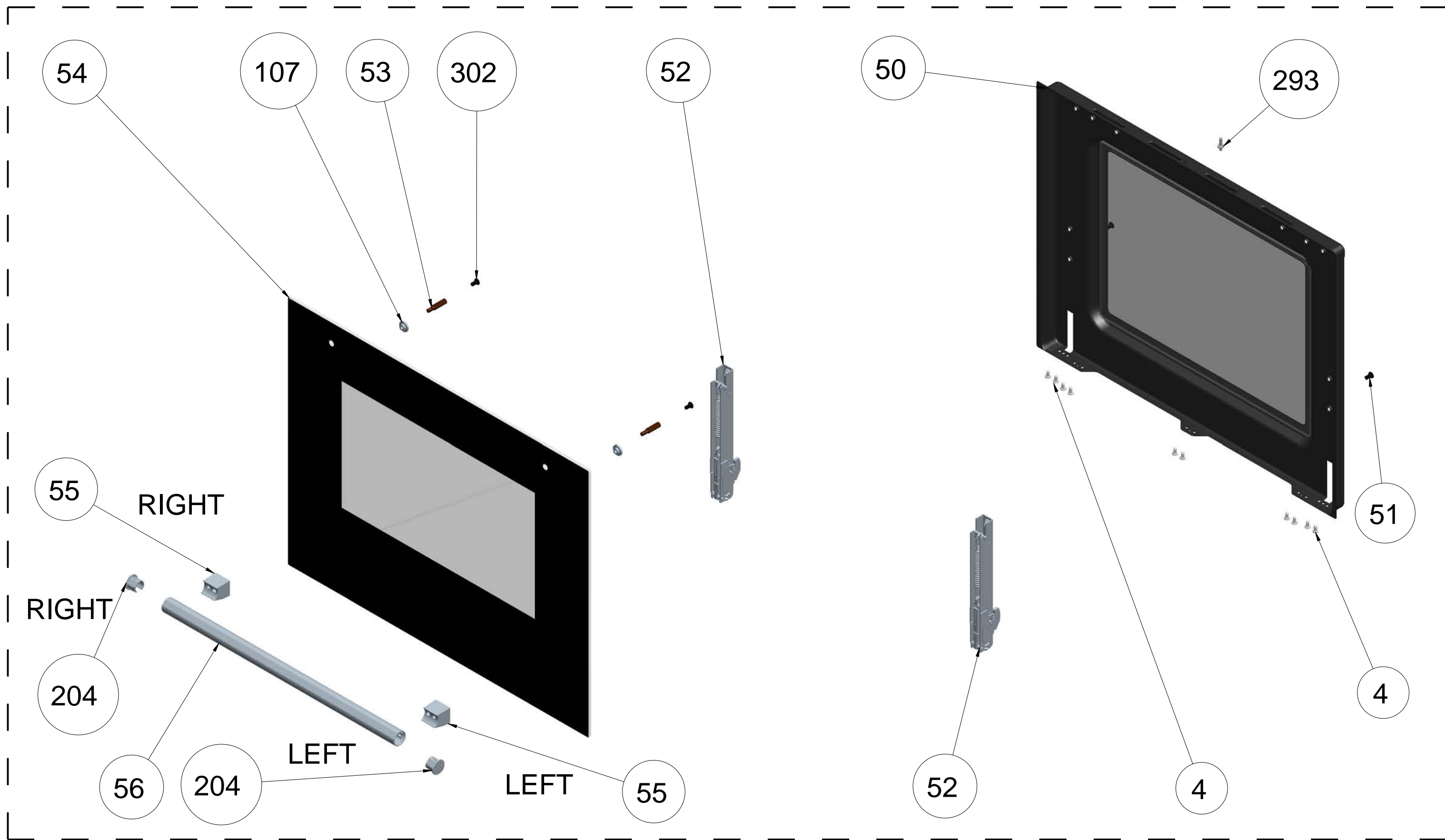


FIXED DRAWER ASSEMBLY
(OPTIONAL)

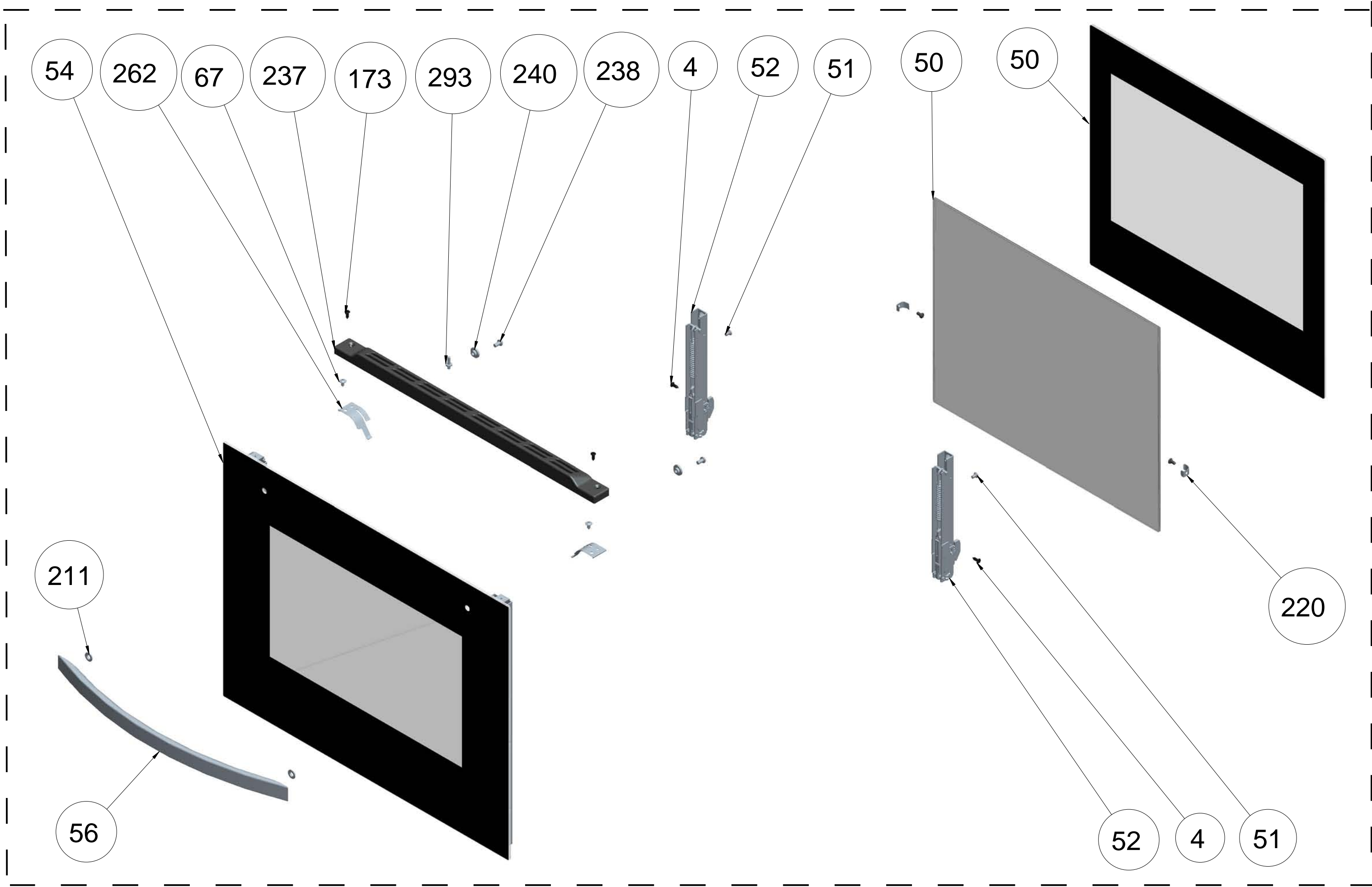
DRAWER ASSEMBLY PARTS

| <i>POSITION NUMBER</i> | <i>PART NAME</i> |
|-------------------------------|--|
| 3 | <i>WARMER DRAWER RAIL WHEEL</i> |
| 4 | <i>SCREW (3.9*9.5)</i> |
| 5 | <i>DRAWER INNER COVER</i> |
| 6 | <i>DRAWER PANEL</i> |
| 14 | <i>BOTTOM INSULATION COVER</i> |
| 39 | <i>WARMER DRAWER RAIL (60*60,50*60)</i> |
| 67 | <i>CHASSIS BRACKET CONTACT SCREW</i> |
| 227 | <i>FIXED DRAWER PANEL ASSEMBLY BRACKET</i> |
| 330 | <i>SCREW (KNURLED, M4*4)</i> |
| 347 | <i>DRAWER BRACKET (4WG, RIGHT / LEFT)</i> |
| 348 | <i>DRAWER WHEEL MILE (4WG)</i> |
| 349 | <i>DRAWER WHEEL (4WG)</i> |
| 368 | <i>SCREW (KNURLED, 2.9*18)</i> |
| 369 | <i>SCREW (KNURLED, 2.9*8,BLACK)</i> |
| 371 | <i>FLAP DRAWER HINGE (RIGHT / LEFT)</i> |
| 372 | <i>FLAP DRAWER LOCKING BRACKET</i> |
| 373 | <i>FLAP DRAWER LOCKING (MINI LATCH)</i> |
| 384 | <i>FLAP DRAWER LOCKING COUNTERPART(MINI LATCH)</i> |
| 389 | <i>DRAWER BOX</i> |

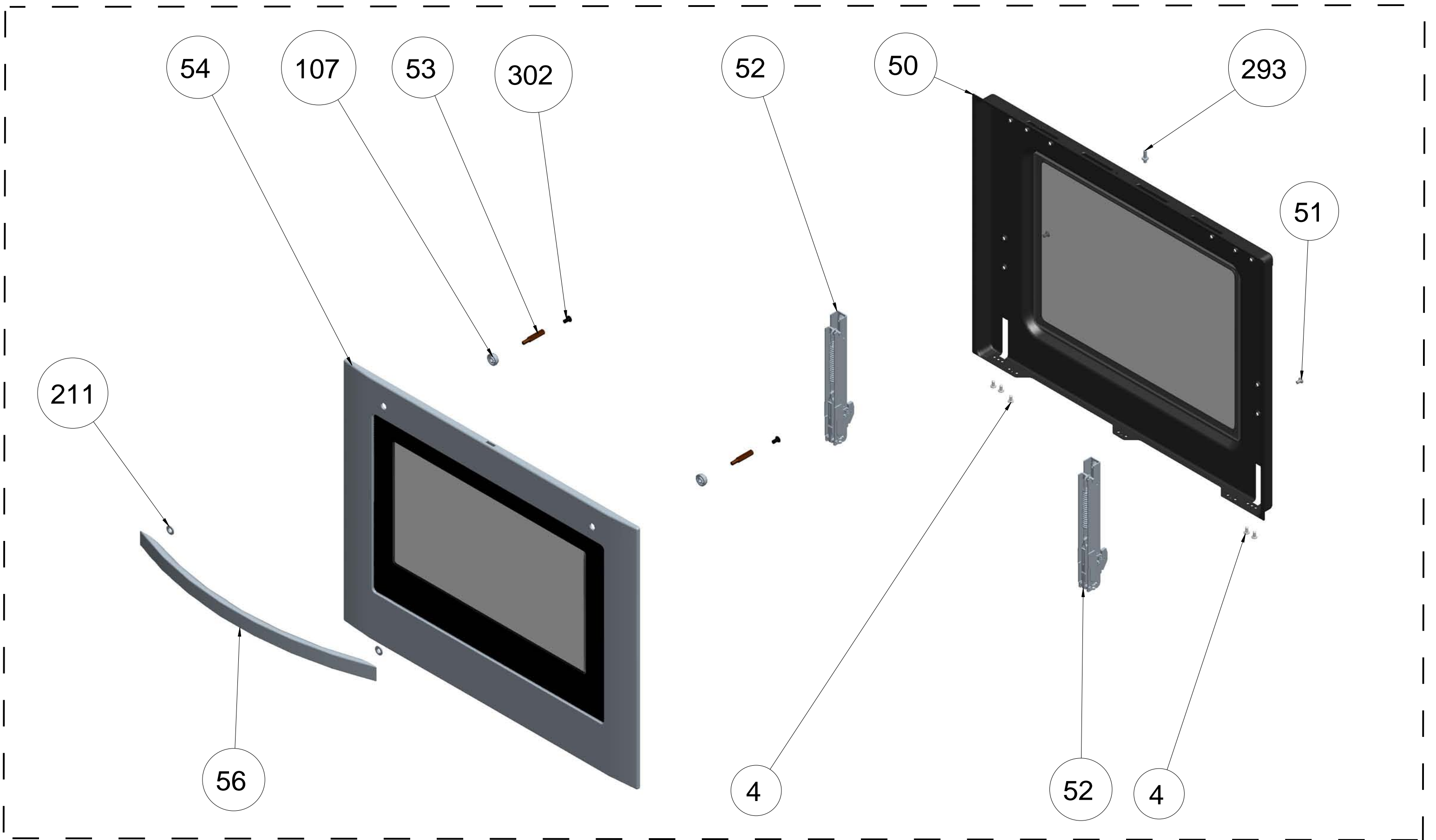
"The exploded views given in this document are generic. They include all possible versions of the product. For specific part codes, please refer to the bom list of regarding model."



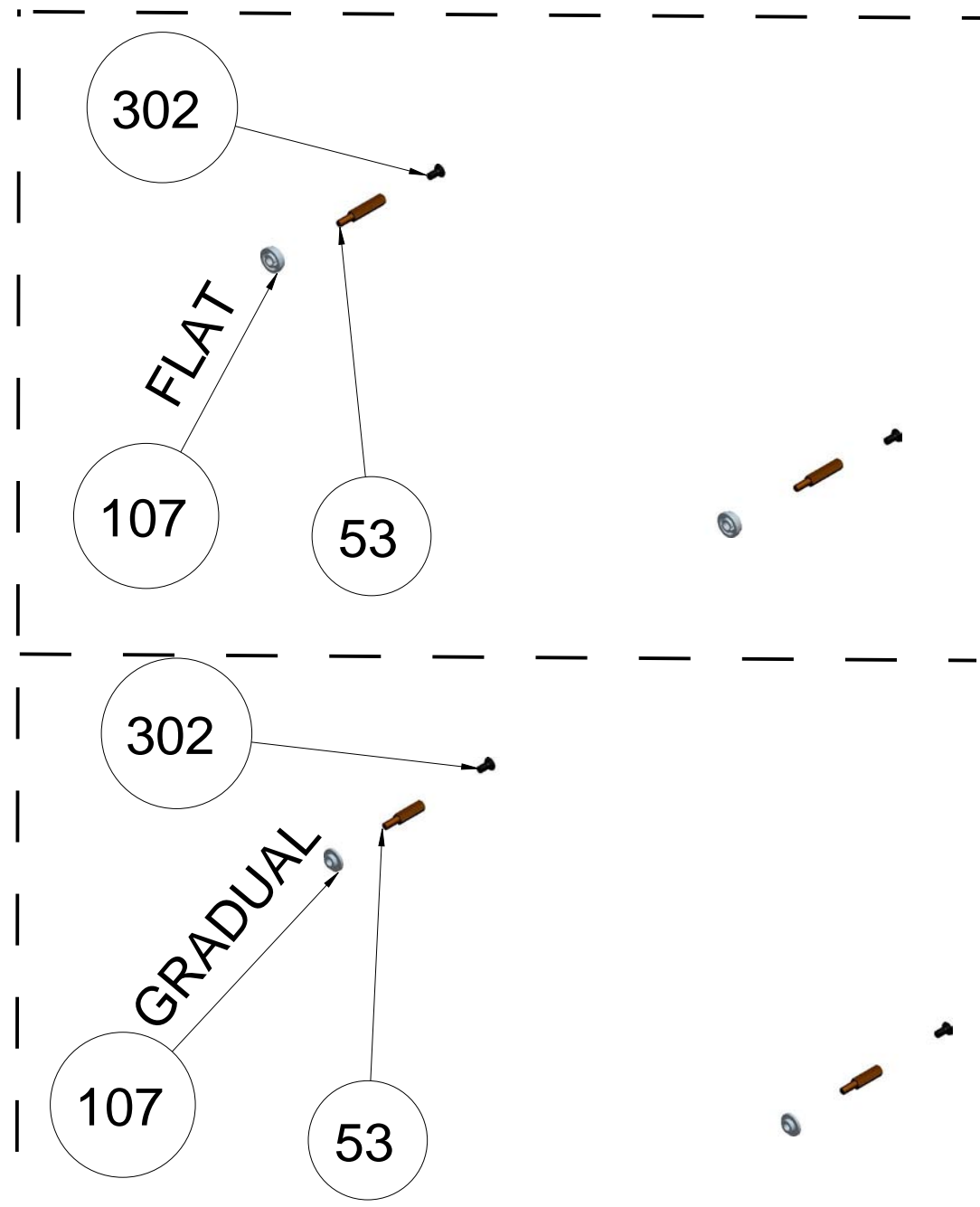
FLAT TYPE OVEN DOOR - POSITION NO 376 (OPTIONAL)



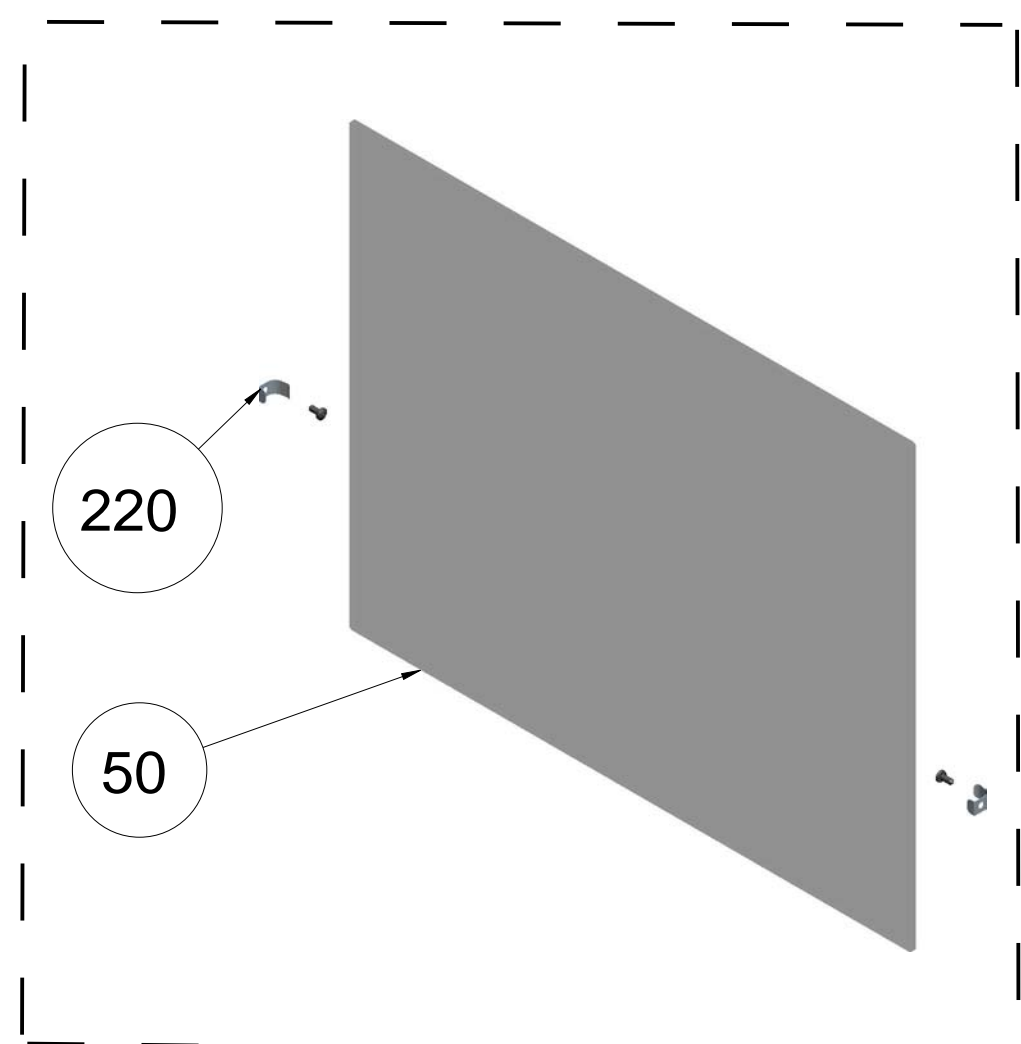
FLAT TYPE OVEN DOOR WITH FULL GLASS STRUCTURE - POSITION NO 377 (OPTIONAL)



SOLID TYPE - POSITION NO 395 (OPTIONAL)



HANDLE ASSEMBLY GROUP -
POSITION NO 49
(OPTIONAL)

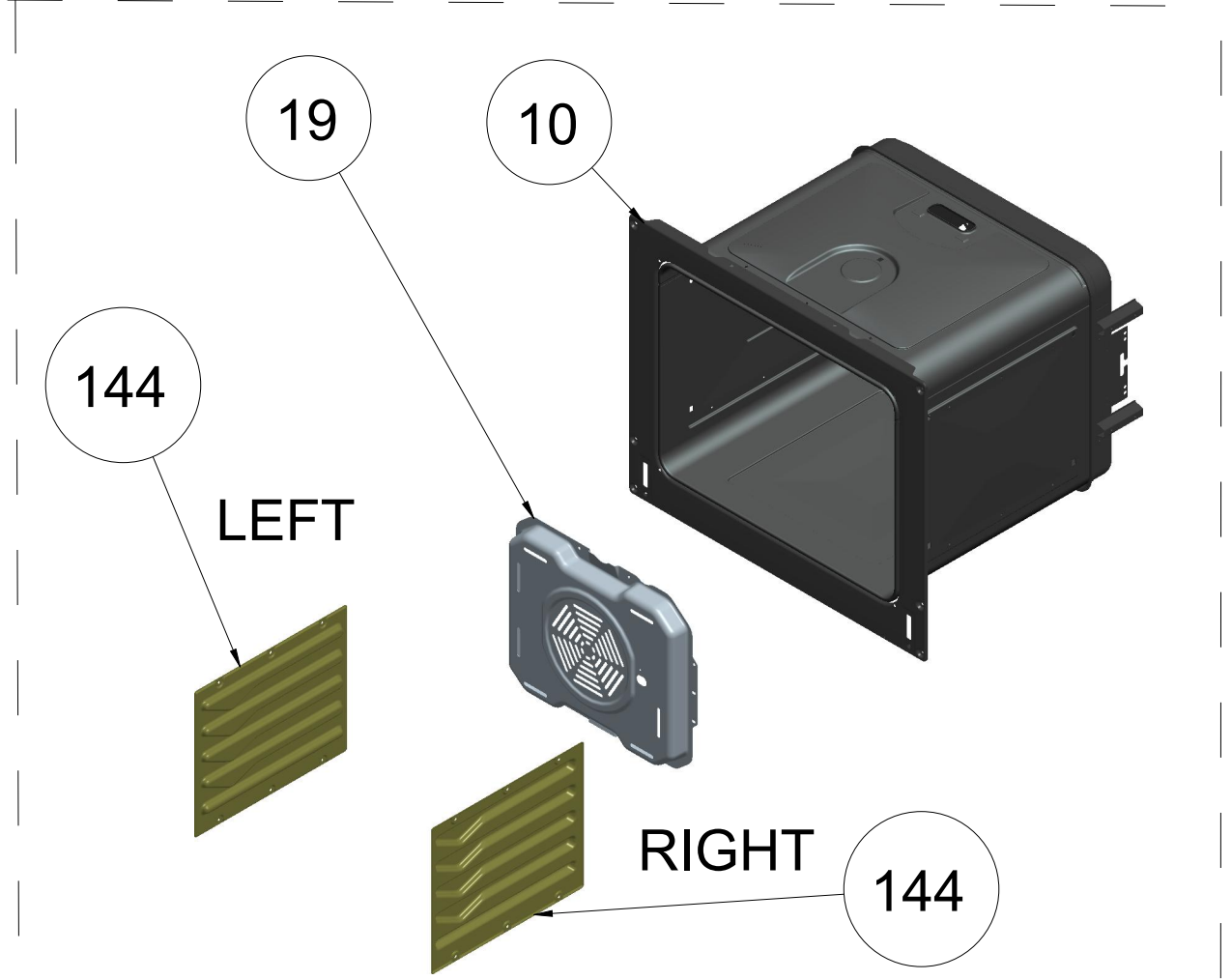


INTERVAL GLASS
(ONLY FOR FLAT TYPE OVEN DOOR
WITH FULL GLASS STRUCTURE)
(OPTIONAL)

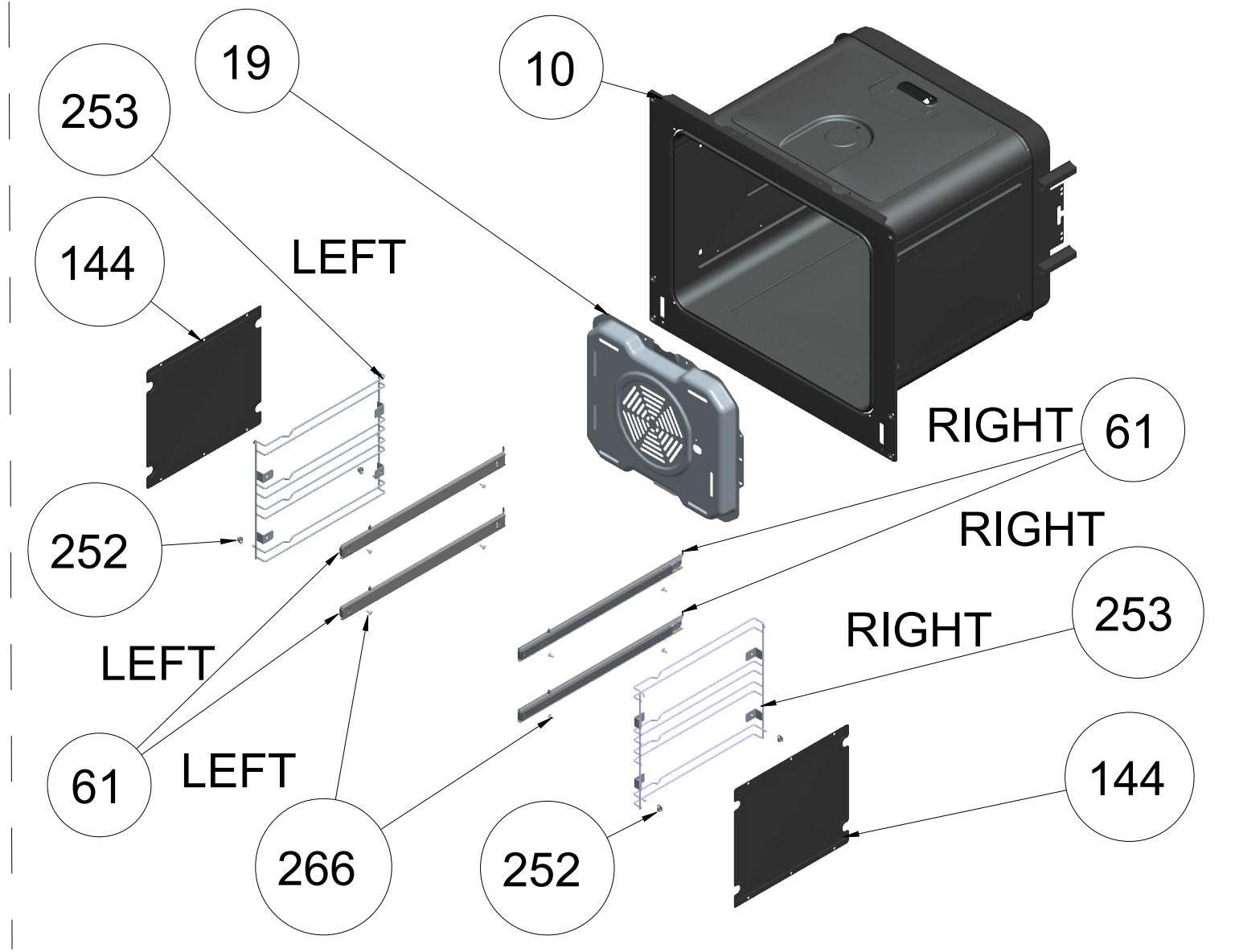
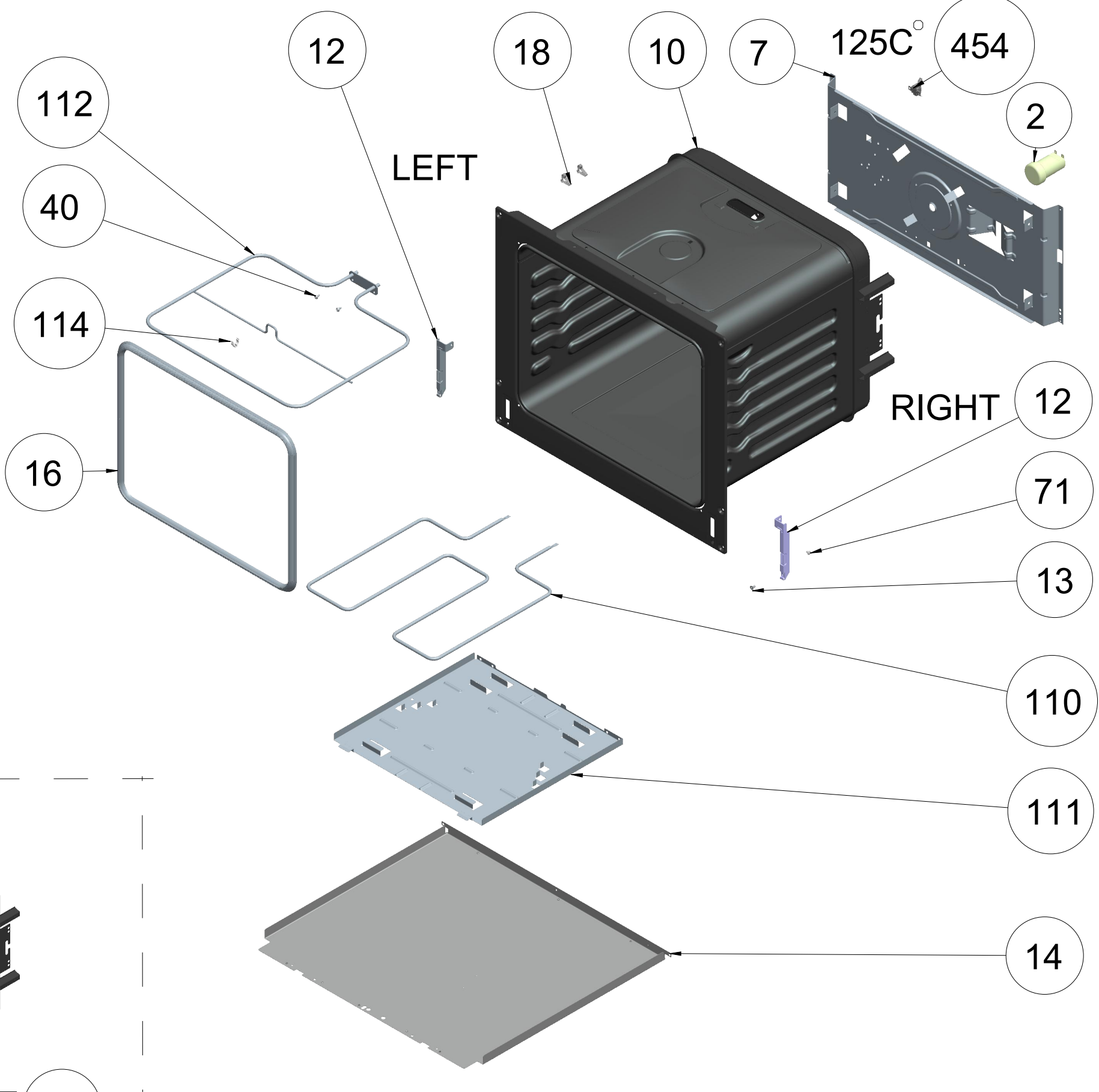
OVEN DOOR OUTER GLASS ASSEMBLY PARTS

| POSITION NUMBER | PART NAME |
|----------------------------|--|
| 4 | SCREW (KNURLED, 3.9*9.5, BLACK) |
| 49 | HANDLE ASSEMBLY GROUP |
| 50 | INNER GLASS ASSEMBLY |
| 51 | INNER LID TOP CONTACT SCREW |
| 52 | OVEN DOOR HINGE |
| 53 | OVEN DOOR HANDLE ASSEMBLY STUD |
| 54 | OUTER GLASS ASSEMBLY |
| 55 | HANDLE BRACKET / BRACKET WITH CAP |
| 56 | HANDLE BODY |
| 67 | REMOVABLE INNER GLASS SPRING CONTACT SCREW |
| 107 | GRADUAL/FLAT WASHER |
| 173 | DOUBLE GLAZED OVEN DOOR METAL TRIM CONTACT SCREW |
| 204 | HANDLE TAP |
| 211 | HANDLE ASSEMBLY GASKET |
| 220 | INTERVAL FRONT PANEL SPRING |
| 237 | DOUBLE GLAZED OVEN DOOR METAL TRIM |
| 238 | OVEN DOOR HANDLE CONTACT SCREW |
| 240 | SILICONE WASHER |
| 262 | REMOVABLE INNER GLASS SPRING (LEFT / RIGHT) |
| 293 | DOOR LOCK PIN |
| 302 | HANDLE BRACKET CONTACT SCREW |
| 375 | SOLID TYPE OVEN DOOR (FLAT / OBLIQUE) |
| 376 | SOLID TYPE OVEN DOOR ASSEMBLY |
| 377 | OVEN DOOR GROUP |

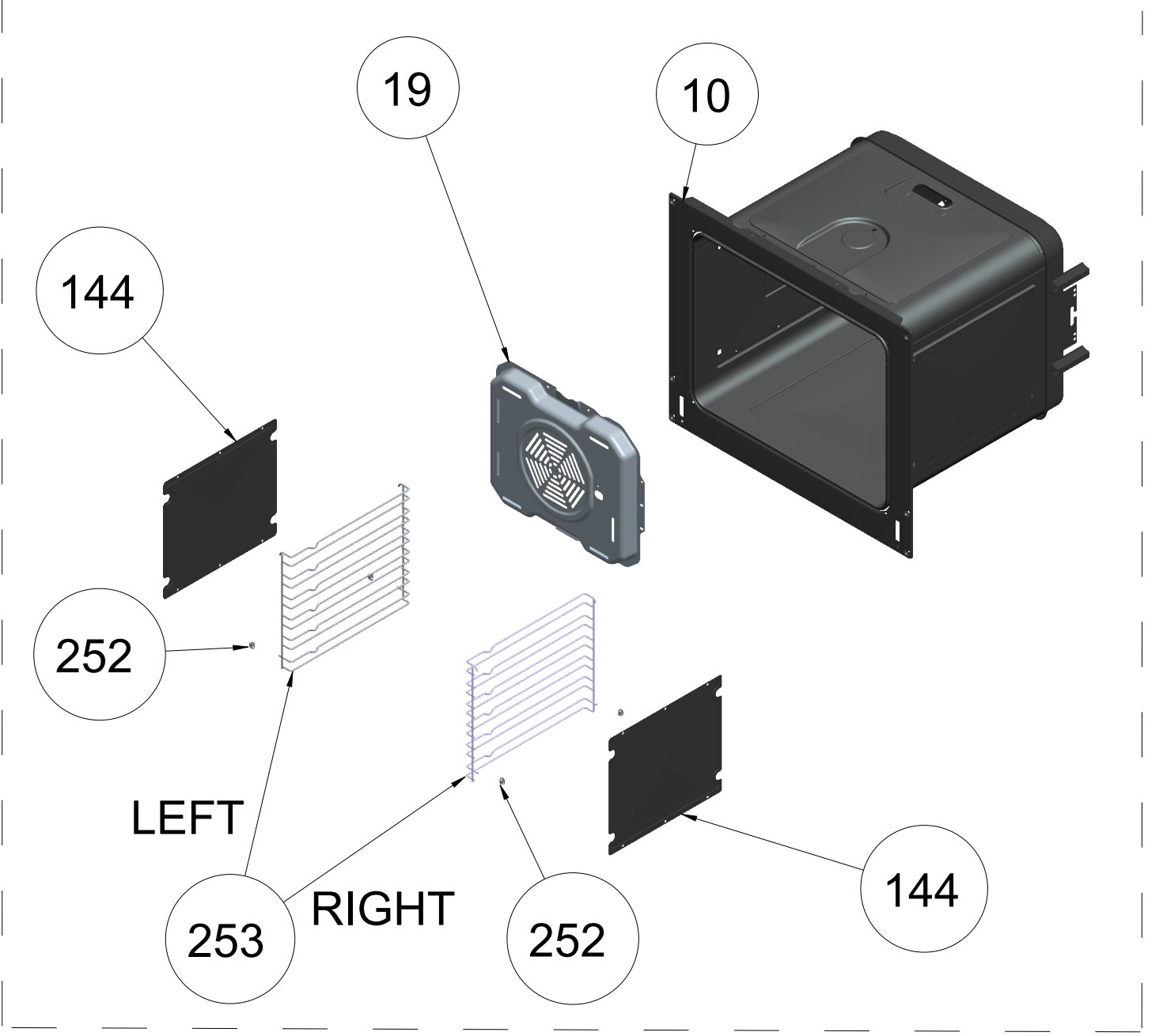
“The exploded views given in this document are generic. They include all possible versions of the product. For specific part codes, please refer to the bom list of regarding model.”



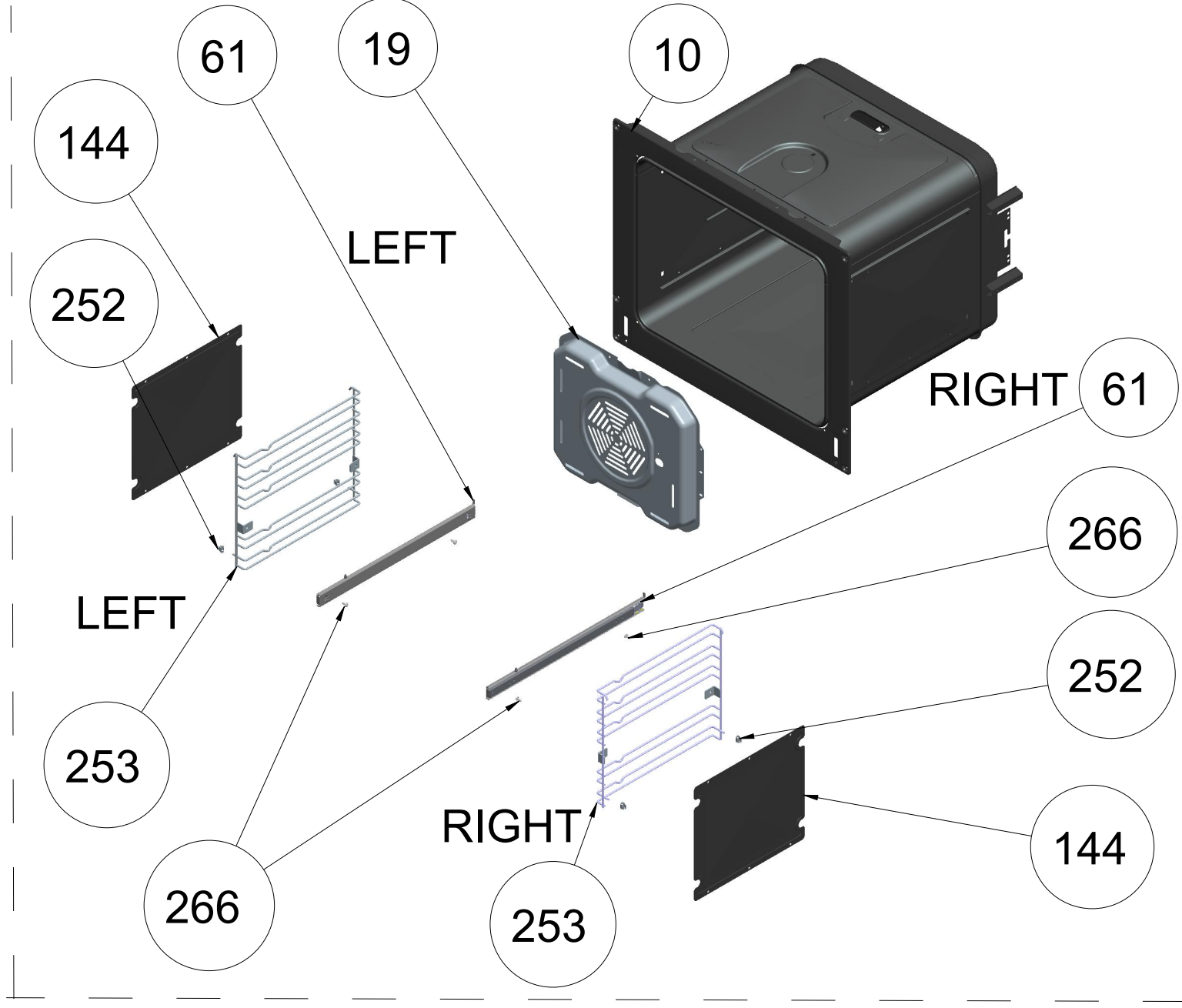
CAVITY ASSEMBLY WITH CATALYTIC SHELF (OPTIONAL)



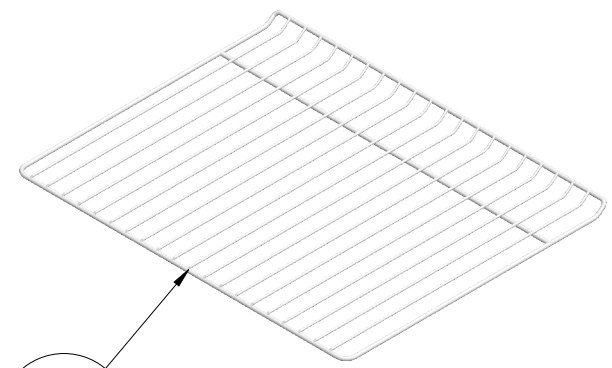
WIRE SHELF CAVITY ASSEMBLY WITH / WITHOUT CATALYTIC PANEL
OPTIONAL : DOUBLE TELESCOPIC RAIL (R / L)



WIRE SHELF CAVITY ASSEMBLY WITH / WITHOUT CATALYTIC PANEL (OPTIONAL)

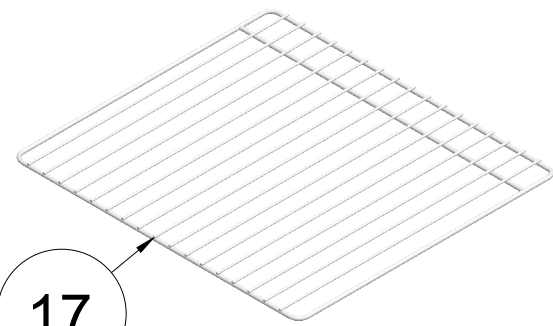


WIRE SHELF CAVITY ASSEMBLY WITH / WITHOUT CATALYTIC PANEL
OPTIONAL : TELESCOPIC RAIL (R / L)



17

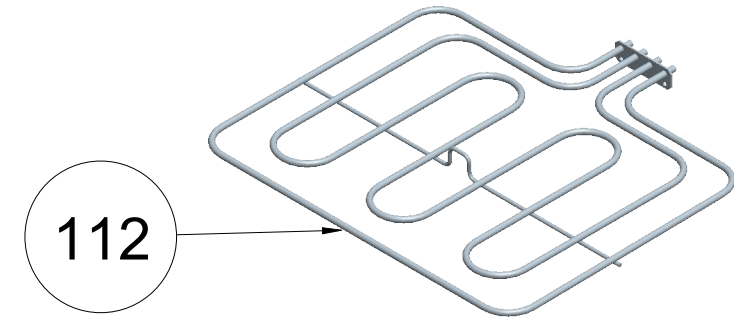
LOCKED



17

W. TELESCOPIC RAIL

GRID (OPTIONAL)



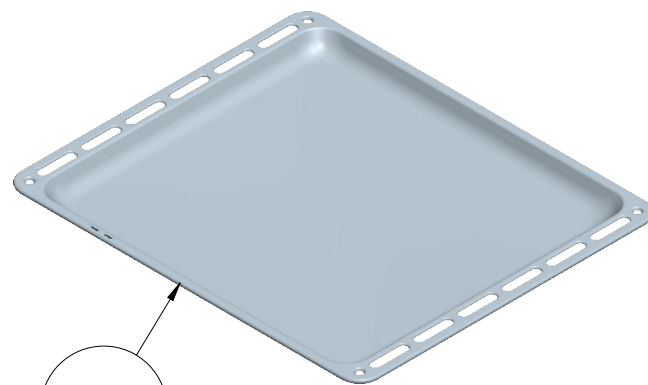
112

TOP AND GRILL HEATING ELEMENT (OPTIONAL)



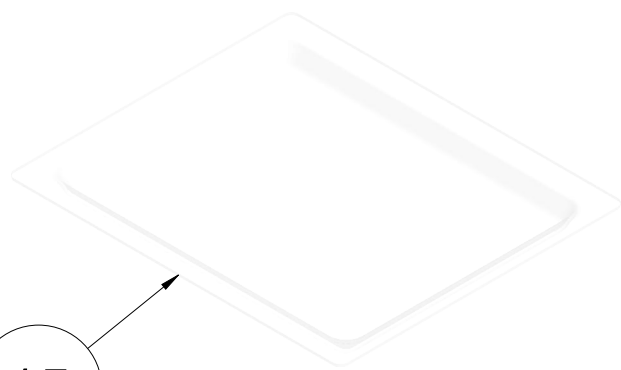
15

DEEP



15

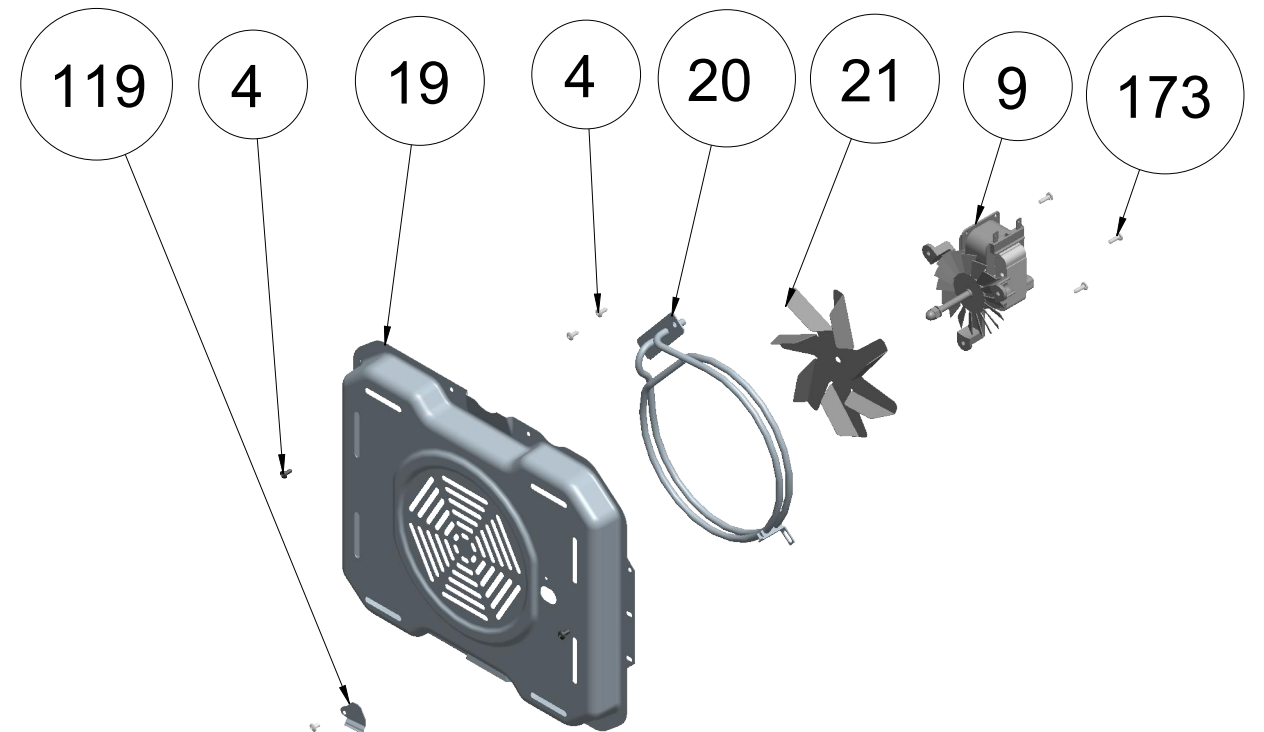
SHALLOW



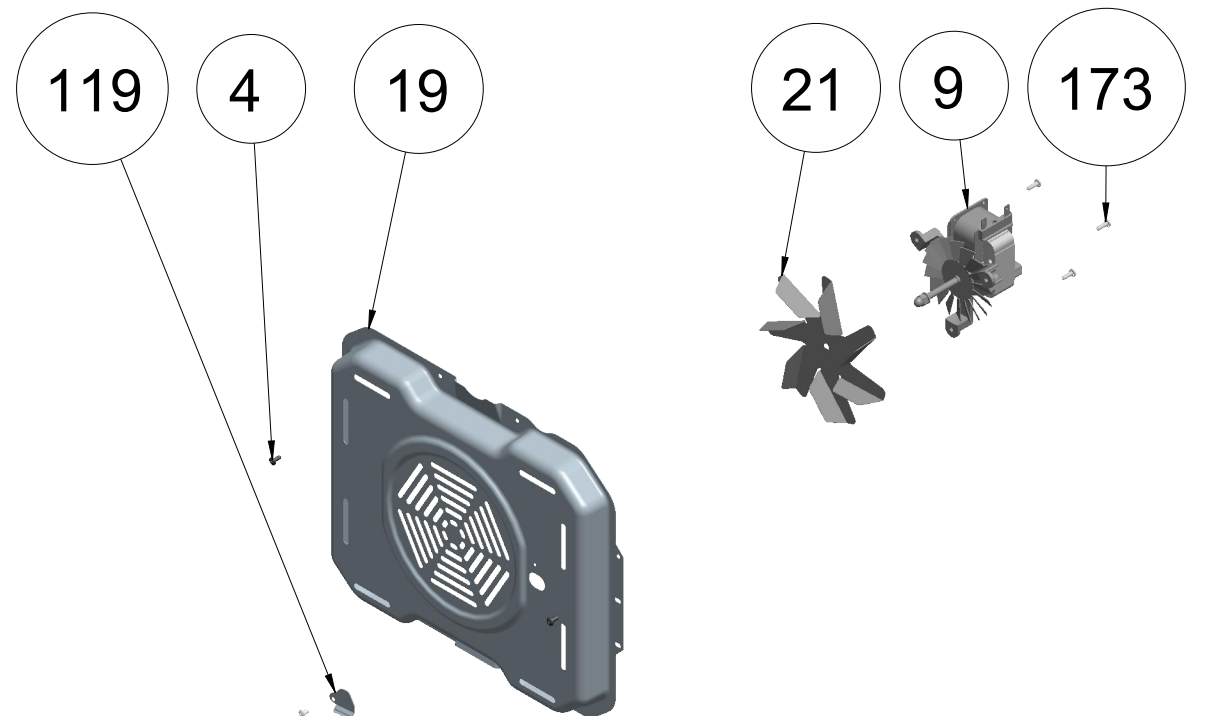
15

GLASS

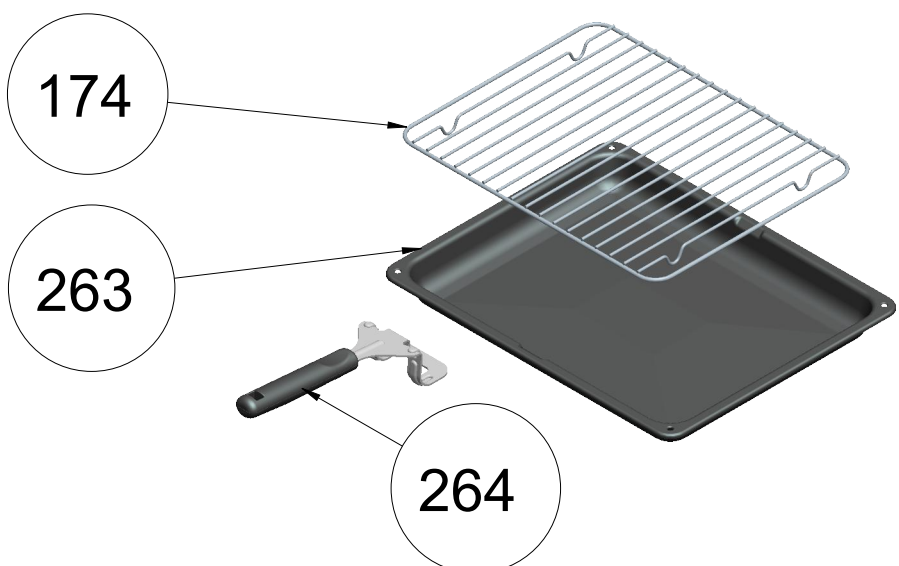
TRAYS (OPTIONAL)



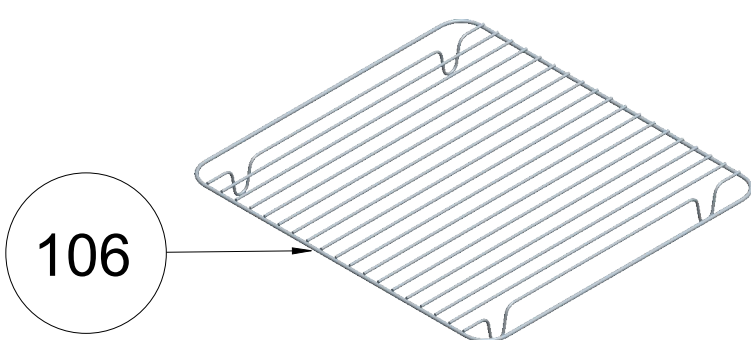
RING HEATING ELEMENT WITH FAN (OPTIONAL)



(FAN COVER/ FAN IMPELLER(6 WINGS) / FAN MOTOR) (OPTIONAL)

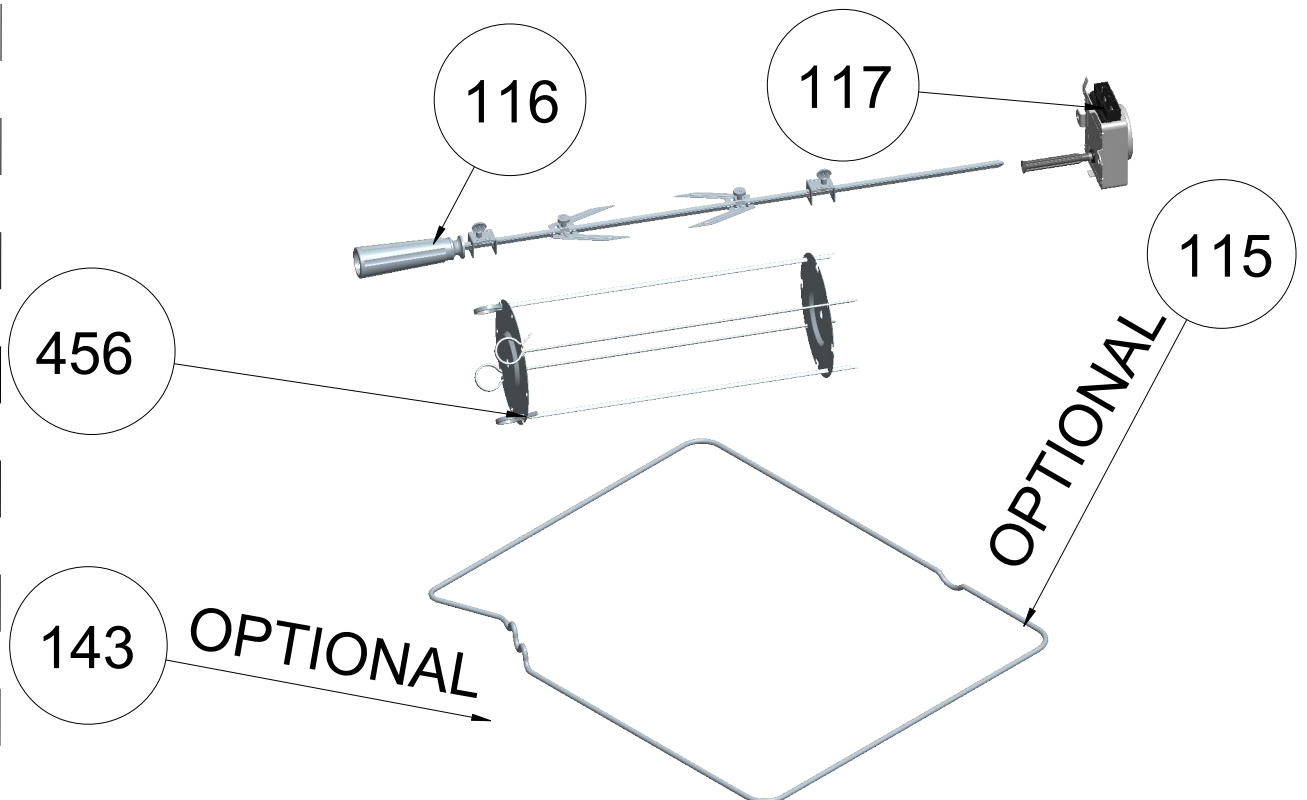


GRILL PAN AND HANDLE SET (TRAY SET FOR GRILL) - POSITION NO 265 (OPTIONAL)



106

DEEP TRAY GRID (OPTIONAL)

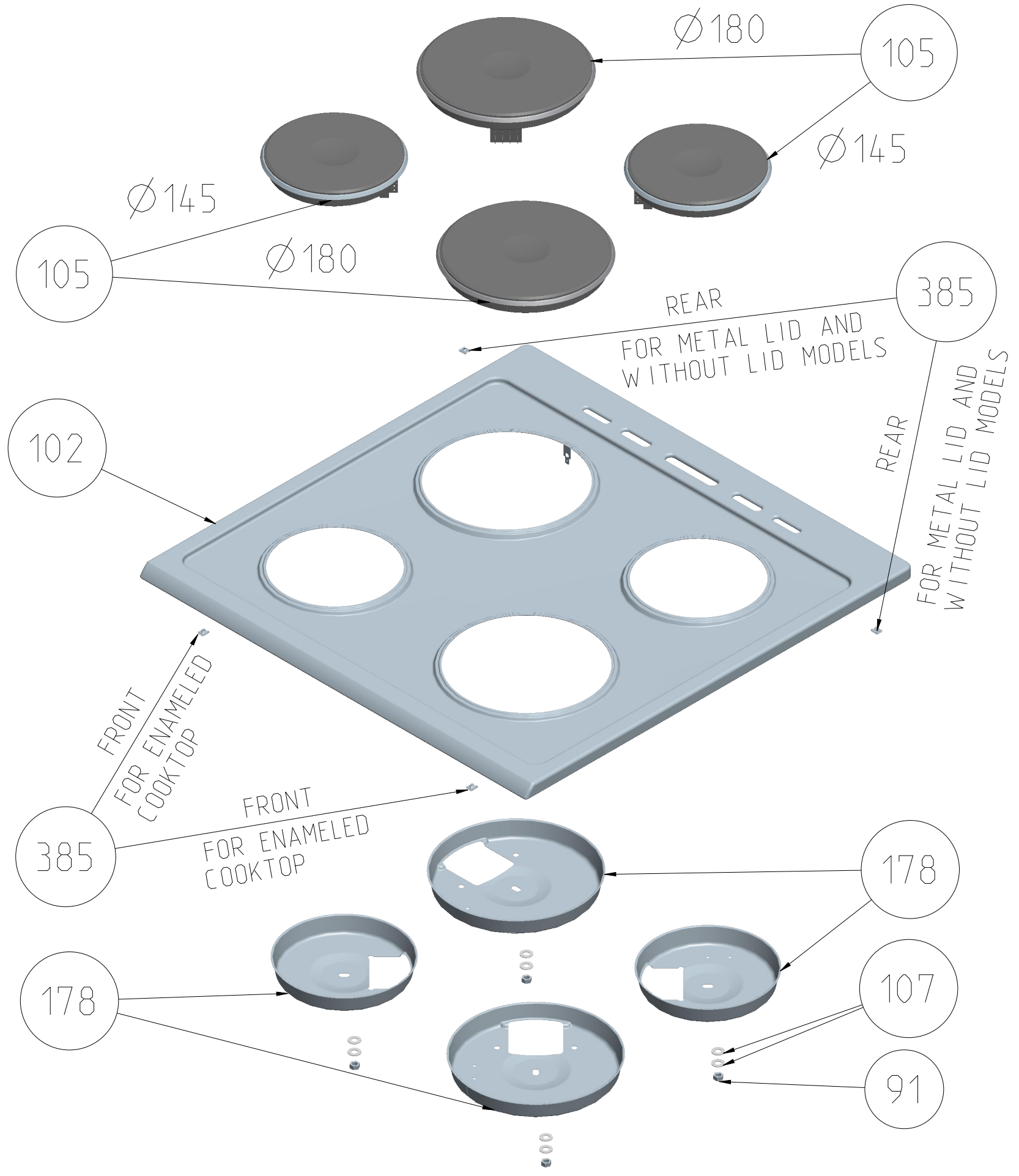
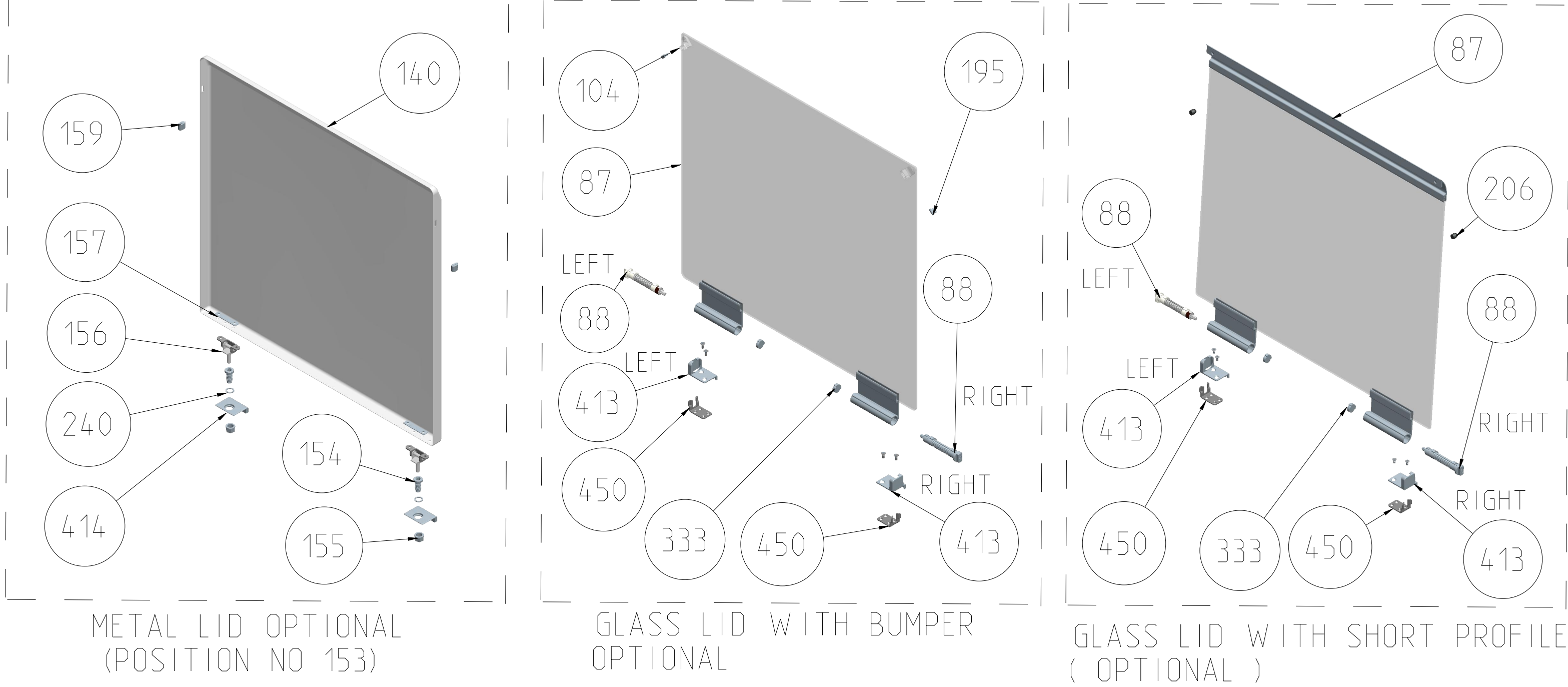


TURNSPIT (OPTIONAL)

CAVITY ASSEMBLY PARTS

| POSITION NUMBER | PART NAME |
|--------------------|--|
| 2 | OVEN LIGHT |
| 4 | SCREW (3.9*9.5) |
| 7 | REAR INSULATION COVER |
| 9 | FAN MOTOR 230V |
| 10 | CAVITY |
| 12 | HINGE COUNTERPART (LEFT / RIGHT) |
| 13 | SCREW (M4*8) |
| 14 | BOTTOM INSULATION COVER |
| 15 | TRAY (DEEP / SHALLOW / GLASS) |
| 16 | OVEN DOOR GASKET |
| 17 | GRID (LOCKED,W. TELESCOPIC RAIL) |
| 18 | THERMOSTAT BULB BRACKET |
| 19 | FAN COVER (NO TURNSPIT, BLACK) |
| 20 | RING TUBULAR HEATING ELEMENT |
| 21 | FAN IMPELLER (6 WINGS) |
| 68 | SCREW (3.9*9.5, BLUNT TYPE) |
| 106 | DEEP TRAY GRID |
| 110 | BOTTOM HEATING ELEMENT |
| 111 | BOTTOM HEATING ELEMENT HOLDER |
| 112 | TOP AND GRILL HEATING ELEMENT |
| 114 | TOP HEATING ELEMENT BULB BRACKET |
| 115 | TURNSPIT GRILL |
| 116 | TURNSPIT SKEWER |
| 117 | TURNSPIT MOTOR |
| 119 | TURNSPIT HOLE COVER |
| 143 | TURNSPIT HOUSE (ONLY CAN BE USED WITH (DEEP / SHALLOW) TRAY) |
| 144 | CATALYTIC PANEL WITH WIRE SHELF (ENAMELLED) |
| | SHELF COVER (RIGHT/LEFT, CATALYTIC ENAMELLED) |
| 173 | SCREW (3.9*13) |
| 174 | TRAY GRID |
| 253 | WIRE SHELF (RIGHT, LEFT) |
| 255 | WIRE SHELF FIXING SCREW |
| 263 | GRILL PAN |
| 264 | GRILL PAN HANDLE |
| 265 | TRAY SET (SMALL, BLACK) |
| 266 | SCREW (M4*4T, STAINLESS) |
| 454 | LIMIT THERMOSTAT NC 125°C |
| 456 | SHISH KEBAB ACCESSORY |

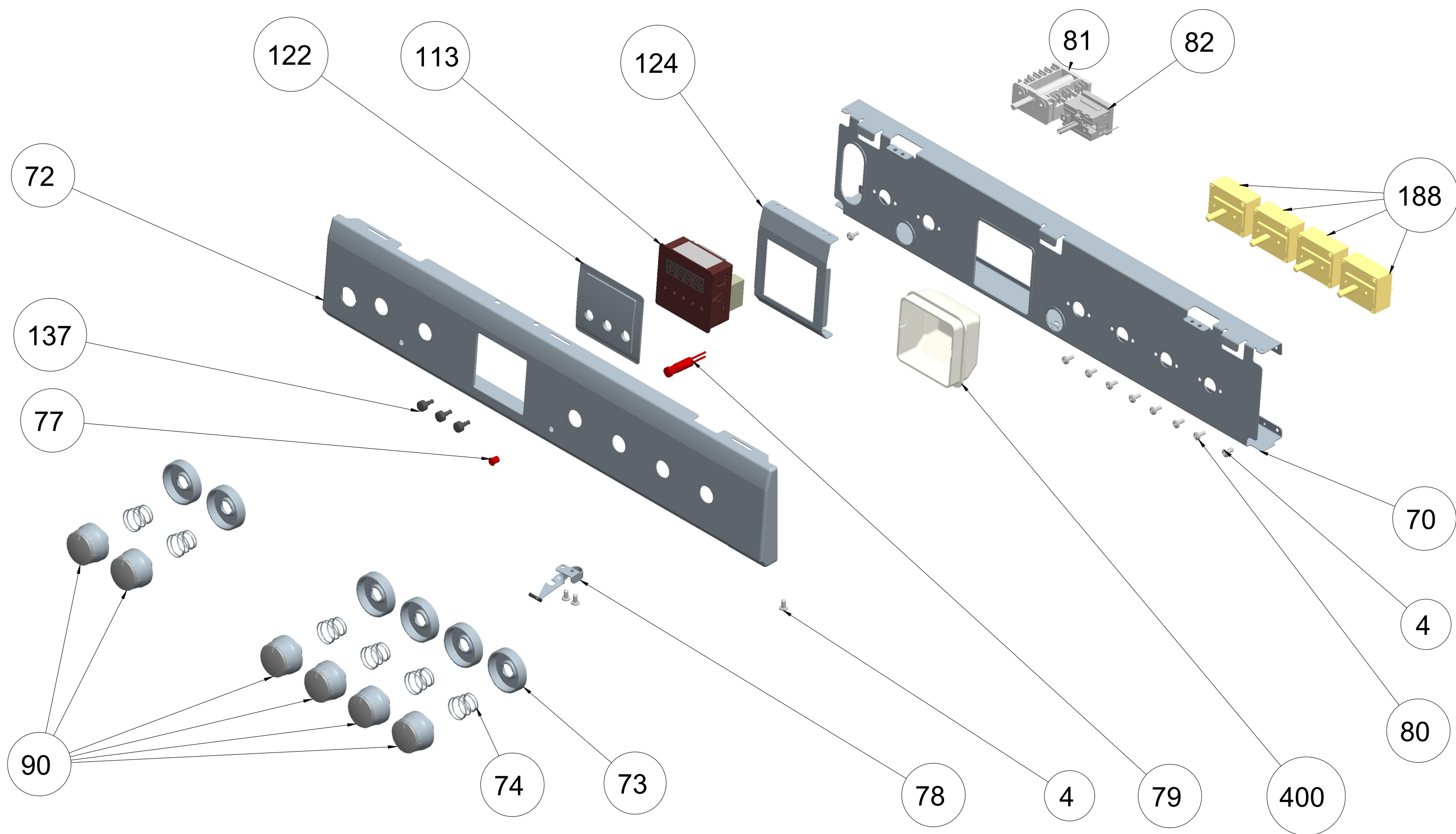
"The exploded views given in this document are generic. They include all possible versions of the product. For specific part codes, please refer to the bom list of regarding model."



COOKTOP ASSEMBLY PARTS

| POSITION NUMBER | PART NAME |
|----------------------------|---|
| 86 | SCREW (M3*8, LENTIL HEAD) |
| 87 | GLASS LID ASSEMBLY |
| 88 | GLASS LID HINGE (RIGHT / LEFT) |
| 91 | NUT |
| 95 | PAN SUPPORT |
| 96 | PAN SUPPORT BUMPER |
| 102 | COOKTOP |
| 104 | GLASS LID BUMPER |
| 105 | HOTPLATE |
| 140 | METAL LID |
| 154 | METAL LID HINGE TOP PART |
| 155 | METAL LID HINGE BOTTOM PART |
| 156 | METAL LID HINGE |
| 157 | METAL LID HINGE TOP COUNTERPART |
| 159 | METAL LID BUMPER |
| 107 | WASHER |
| 178 | HOTPLATE HOUSING |
| 240 | SILICONE WASHER WHITE |
| 333 | GLASS LID BACK PROFILE CAP |
| 385 | COOKTOP FIXING CLIP (FOR METAL LID MODELS& FOR MODELS W/O LID - AT BACK, FOR ALL ENAMELED MODEL-AT FRONT) |
| 413 | GLASS LID COVERING PLS PART(RIGHT / LEFT) |
| 414 | COOKTOP COVERING PLS PART |
| 450 | GLASS LID HINGE COUNTERPART |

“The exploded views given in this document are generic. They include all possible versions of the product. For specific part codes, please refer to the bom list of regarding model.”

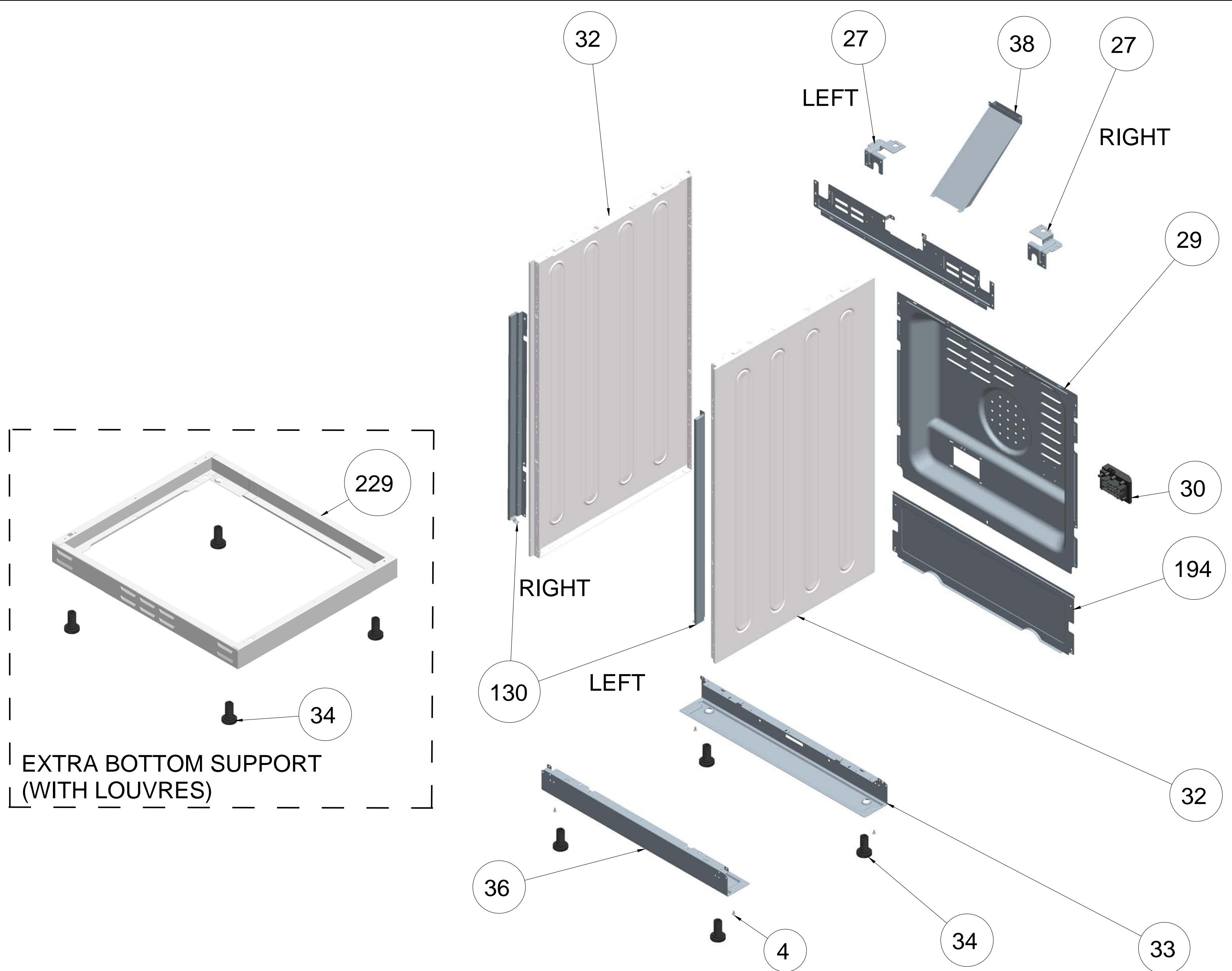


CONTROL PANEL ASSEMBLY PARTS

| POSITION NUMBER | PART NAME |
|-----------------|--|
| 4 | SCREW (3.9*9.5) |
| 70 | INNER PANEL |
| 72 | FRONT PANEL GROP (GLASS / METAL) |
| 73 | KNOB RING |
| 74 | KNOB SPRING |
| 77 | SIGNAL LAMP LENS |
| 78 | CHILD LOCK |
| 79 | SIGNAL LAMP BODY |
| 80 | SCREW (M4*6) |
| 81 | FUNCTION SELECTOR SWITCH / HOTPLATE SWITCH |
| 82 | CAPILLARY THERMOSTAT |
| 90 | KNOB - ELECTRICAL |
| 113 | TIMER (MECHANIC / DIGITAL / ANALOG) |
| 122 | TIMER LENS |
| 124 | TIMER HOLDER (DIGITAL / ANALOG) |
| 137 | TIMER BUTTON |
| 188 | ENERGY REGULATOR |
| 400 | DIJITAL TIMER COVER PLASTIC(NEW GEN) |

"The exploded views given in this document are generic. They include all possible versions of the product.

For specific part codes, please refer to the bom list of regarding model."

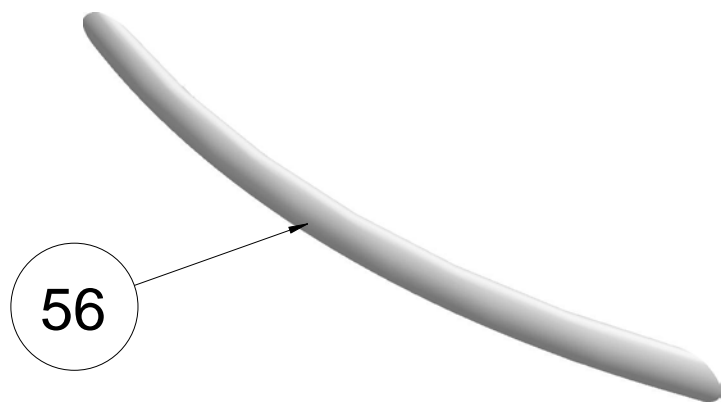


SIDE PANEL ASSEMBLY PARTS

| POSITION NUMBER | PART NAME |
|------------------------|---|
| 4 | SCREW (3.9*9.5) |
| 27 | COOKTOP ANGLE IRON (LEFT / RIGHT) |
| 28 | REAR TOP PANEL |
| 29 | REAR PANEL |
| 30 | TERMINAL BOX |
| 32 | SIDE PANEL |
| 33 | REAR PLINTH |
| 34 | ADJUSTABLE FOOT |
| 36 | FRONT PLINTH |
| 38 | EXHAUST |
| 130 | SIDE CLOSING PROFILE (FOR FLAT OVEN DOOR WITH FULL GLASS) |
| 194 | REAR BOTTOM LID (OPTIONAL) |
| 229 | EXTRA BOTTOM SUPPORT (ONLY FOR 90CM) |

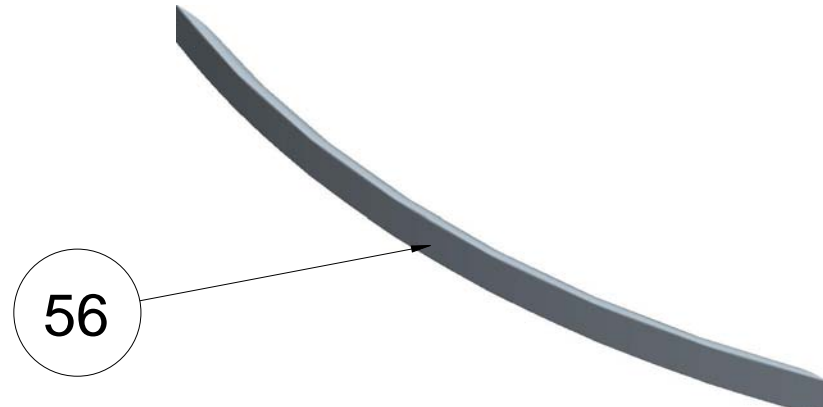
“The exploded views given in this document are generic. They include all possible versions of the product. For specific part codes, please refer to the bom list of regarding model.”

OVEN DOOR HANDLES (OPTIONAL)
HANDLES WITHOUT TAP & BRACKET



56

ELLIPSE ARC



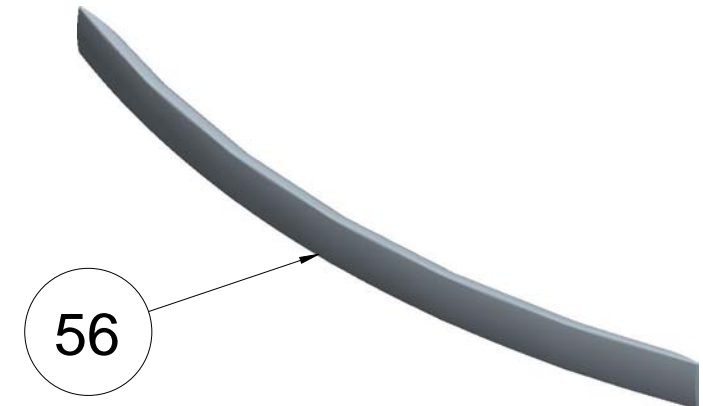
56

D PROFILE ARC



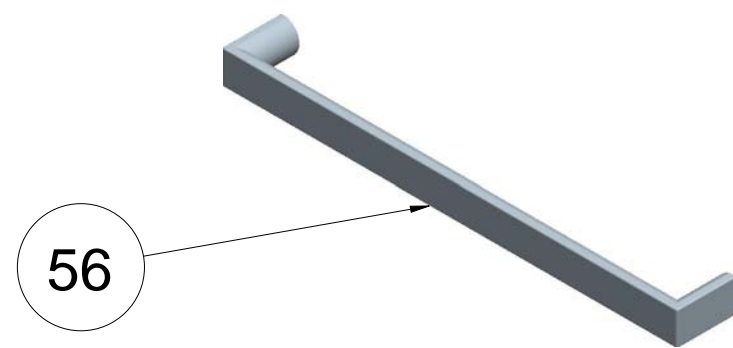
56

METALUX



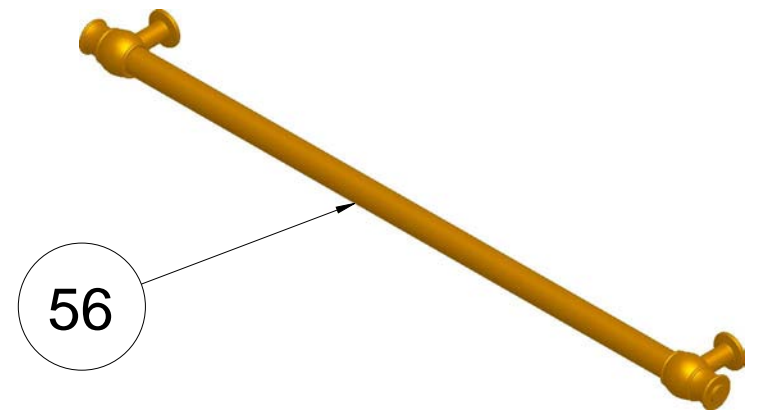
56

D PROFILE ARC, ELECTROLUX
(ONLY FOR FS - OPTIONAL)



56

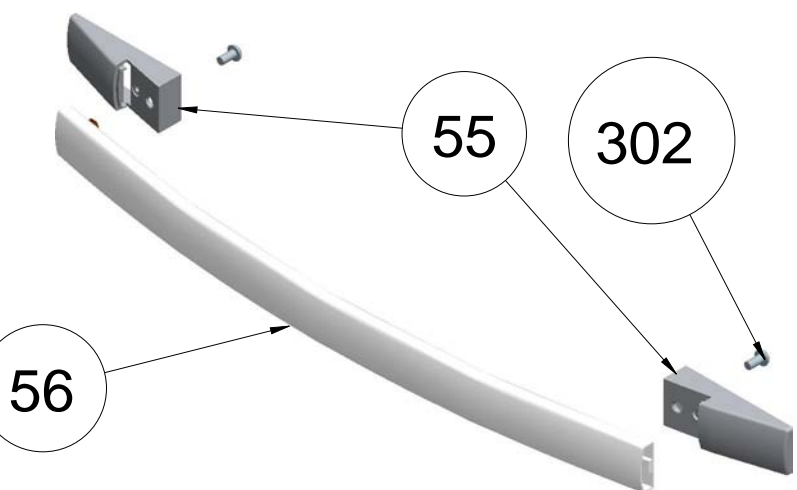
FNP (ONLY FOR BUILT-IN -
OPTIONAL)



56

RUSTIC

HANDLES WITH BRACKET

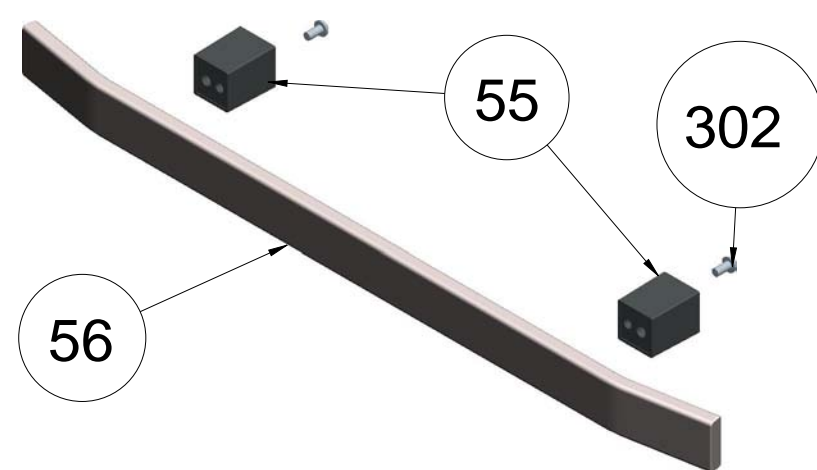


56

55

302

ARC QUADRANGLE



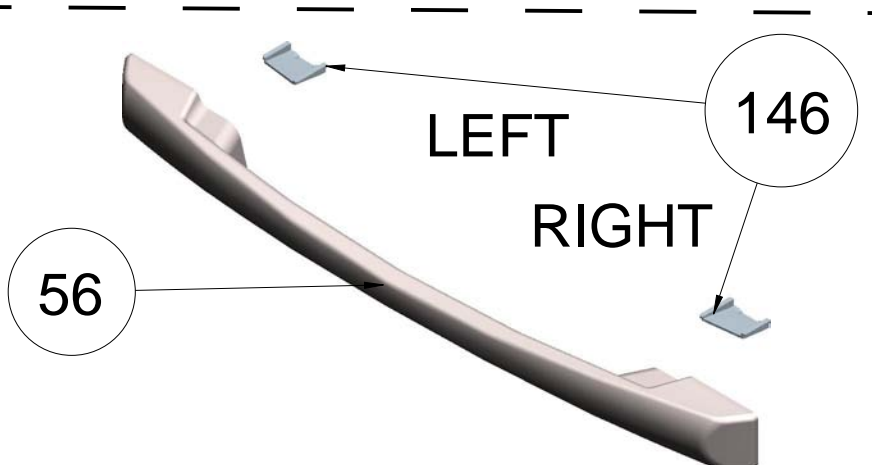
56

55

302

3D QUADRANGLE (ONLY FOR
FS/ NEW G/ BUILT-IN - OPTIONAL)

HANDLES WITH TUNNEL TAP



56

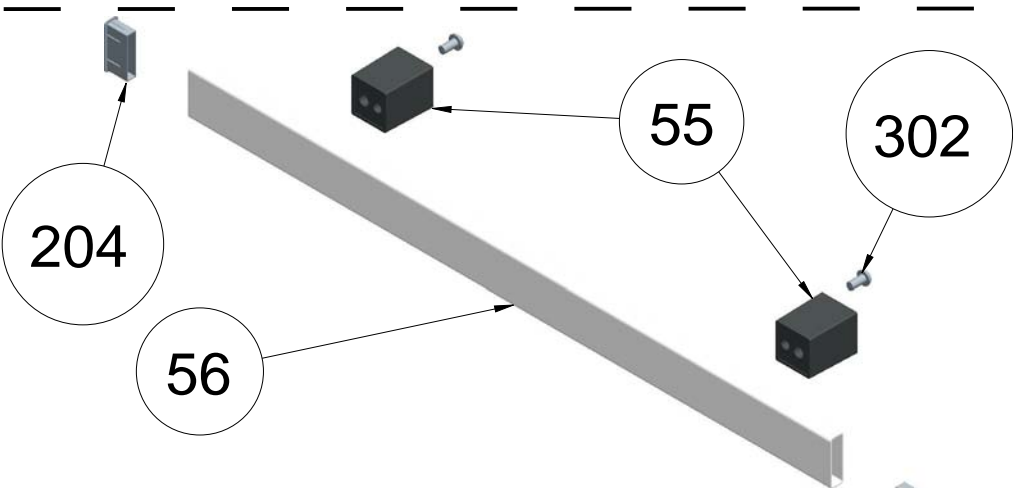
LEFT

RIGHT

146

NO FAN TYPE (ONLY FOR
BUILT-IN - OPTIONAL)

HANDLES WITH TAP & BRACKET



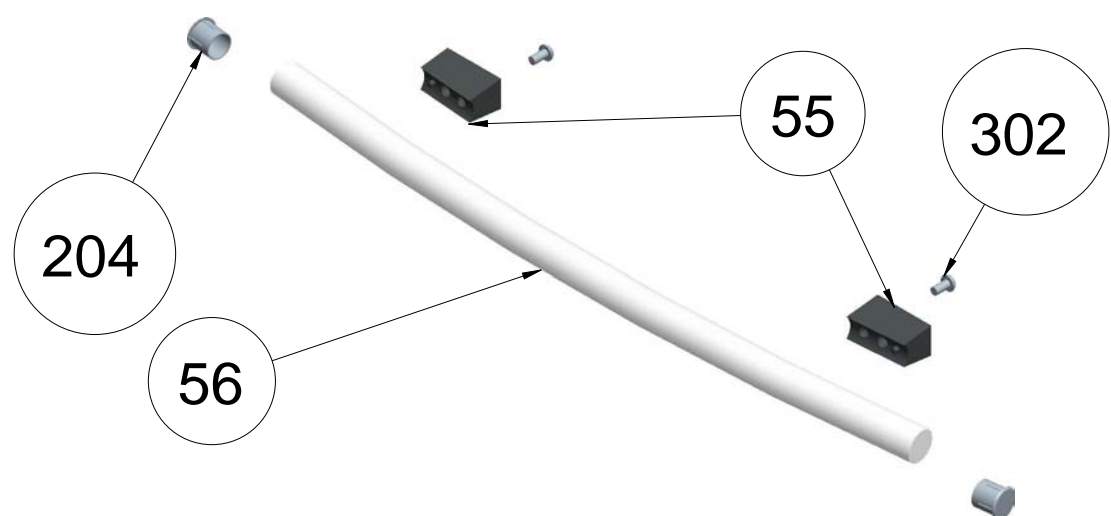
204

56

55

302

FLAT QUADRANGLE
(ONLY FOR FS/ NEW G/ BUILT-IN - OPTIONAL)



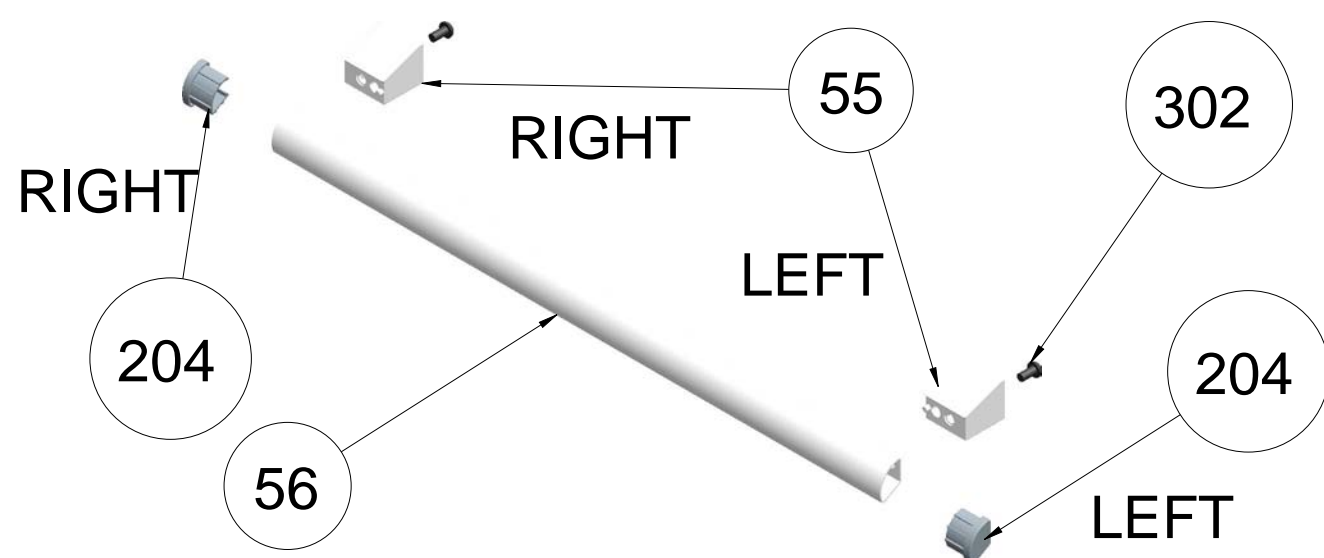
204

56

55

302

ARC TUBE



RIGHT

RIGHT

LEFT

55

302

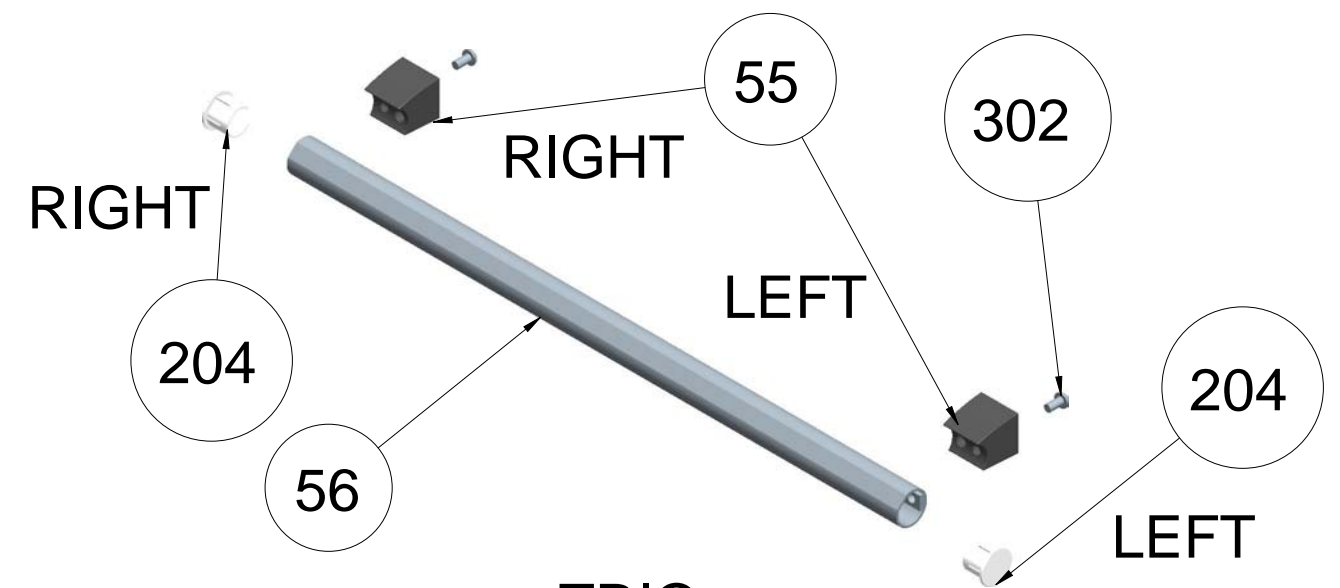
204

56

204

LEFT

FLAT SLICE



RIGHT

RIGHT

LEFT

55

302

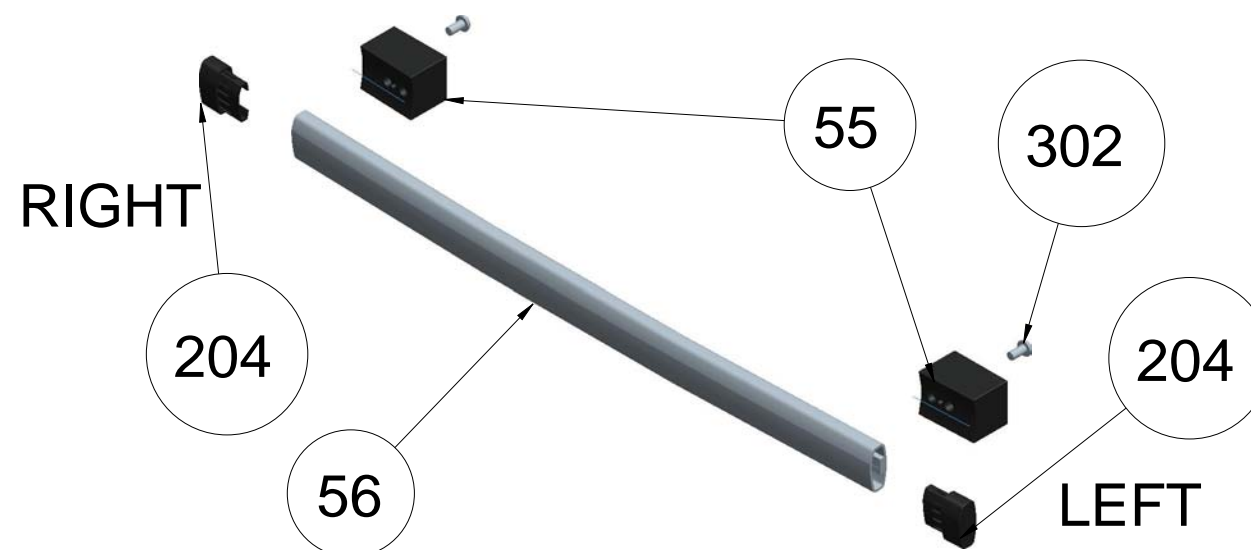
204

56

204

LEFT

TRIO



RIGHT

204

56

55

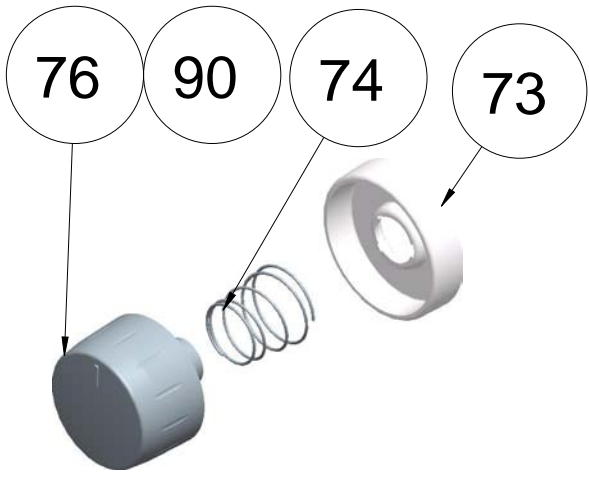
302

204

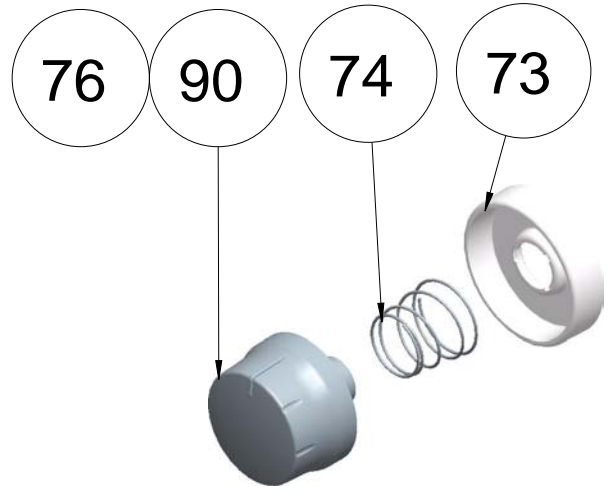
LEFT

CURVED QUADRANGLE

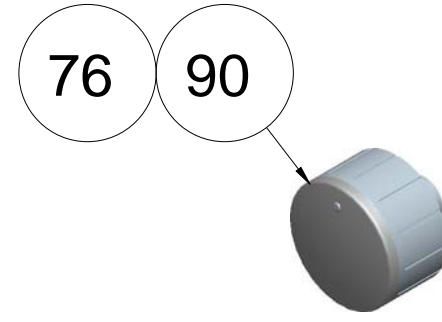
KNOBS (ONLY FOR NEW G - OPTIONAL)



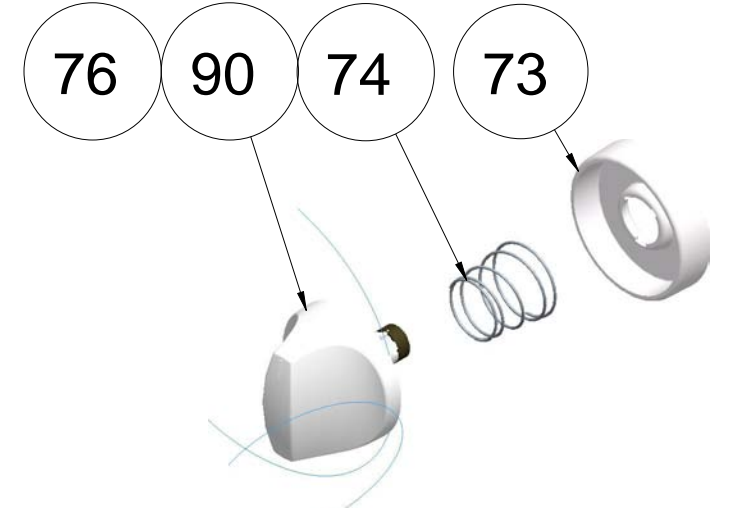
OMEGA



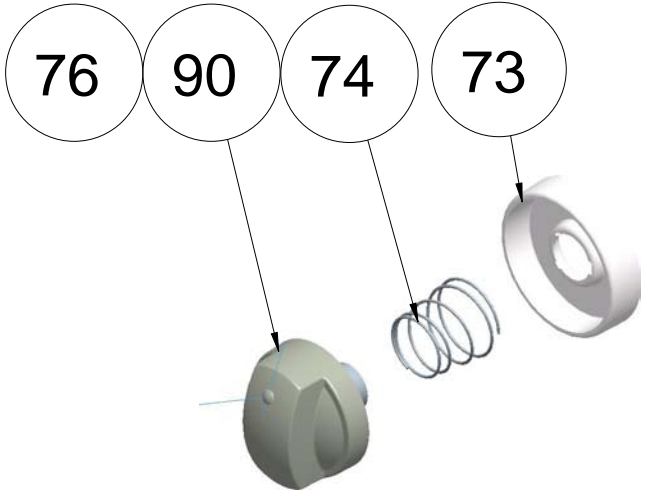
EPSILON



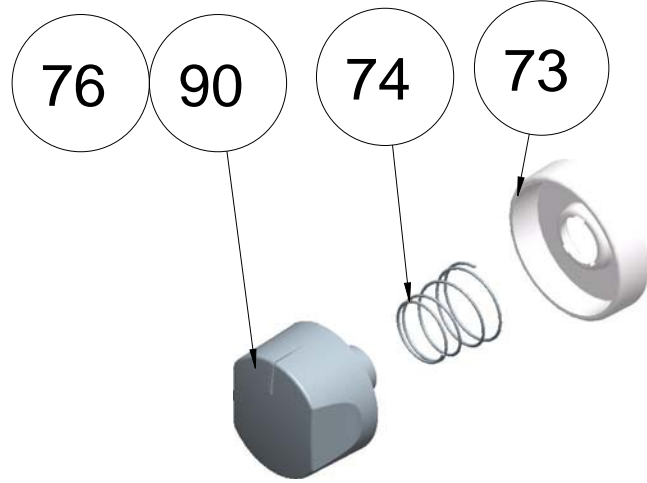
BIG MACRO
(ONLY FOR NEW G ELECTRIC/
NEW G VITROCERAMIC - OPTIONAL)



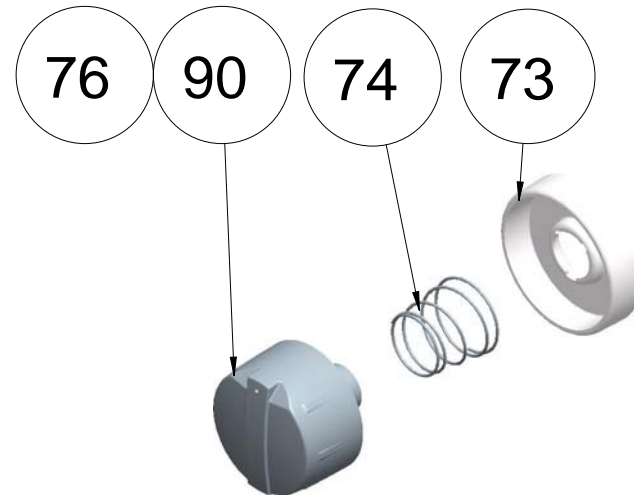
GAMA RING



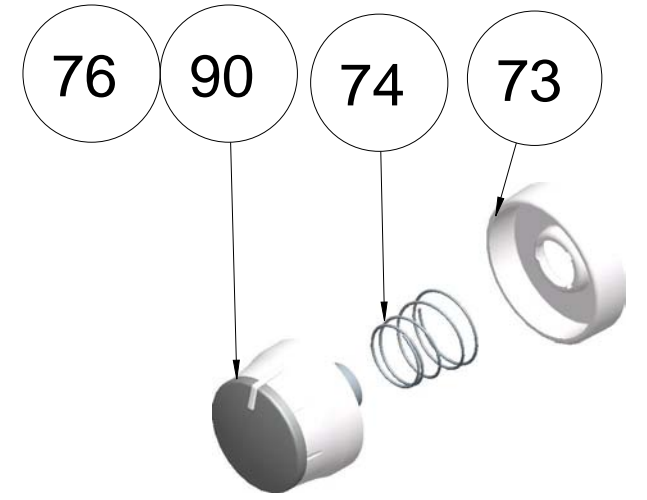
ECLIPSE RING



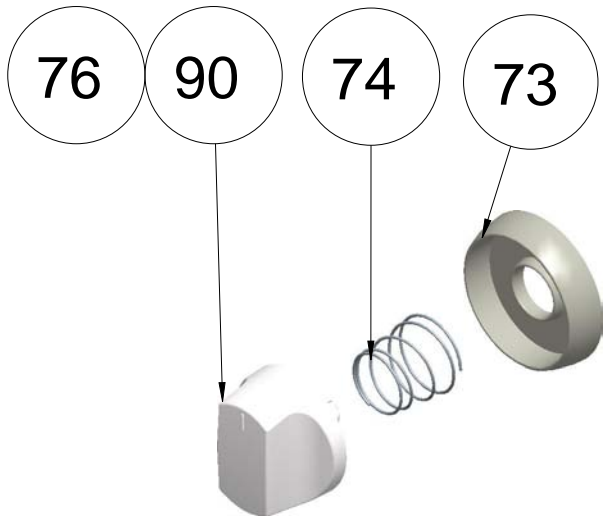
RIMO



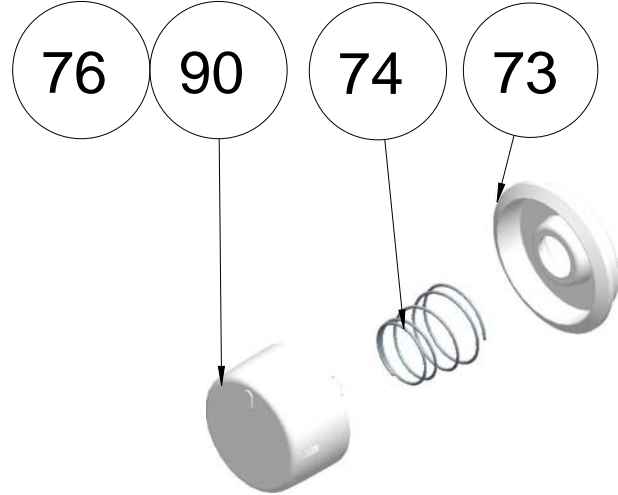
ANTERO



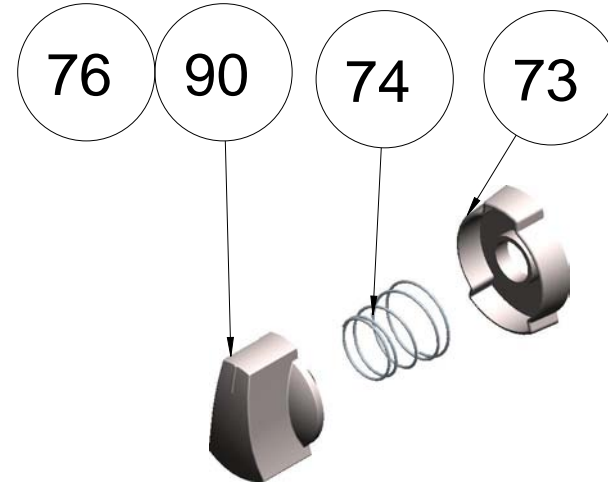
SPECTRUM



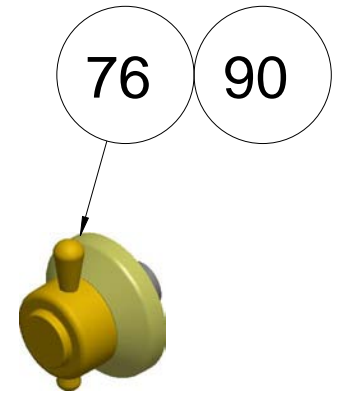
TRIO



SIGMA



DELTA RING



RUSTIC RISUS