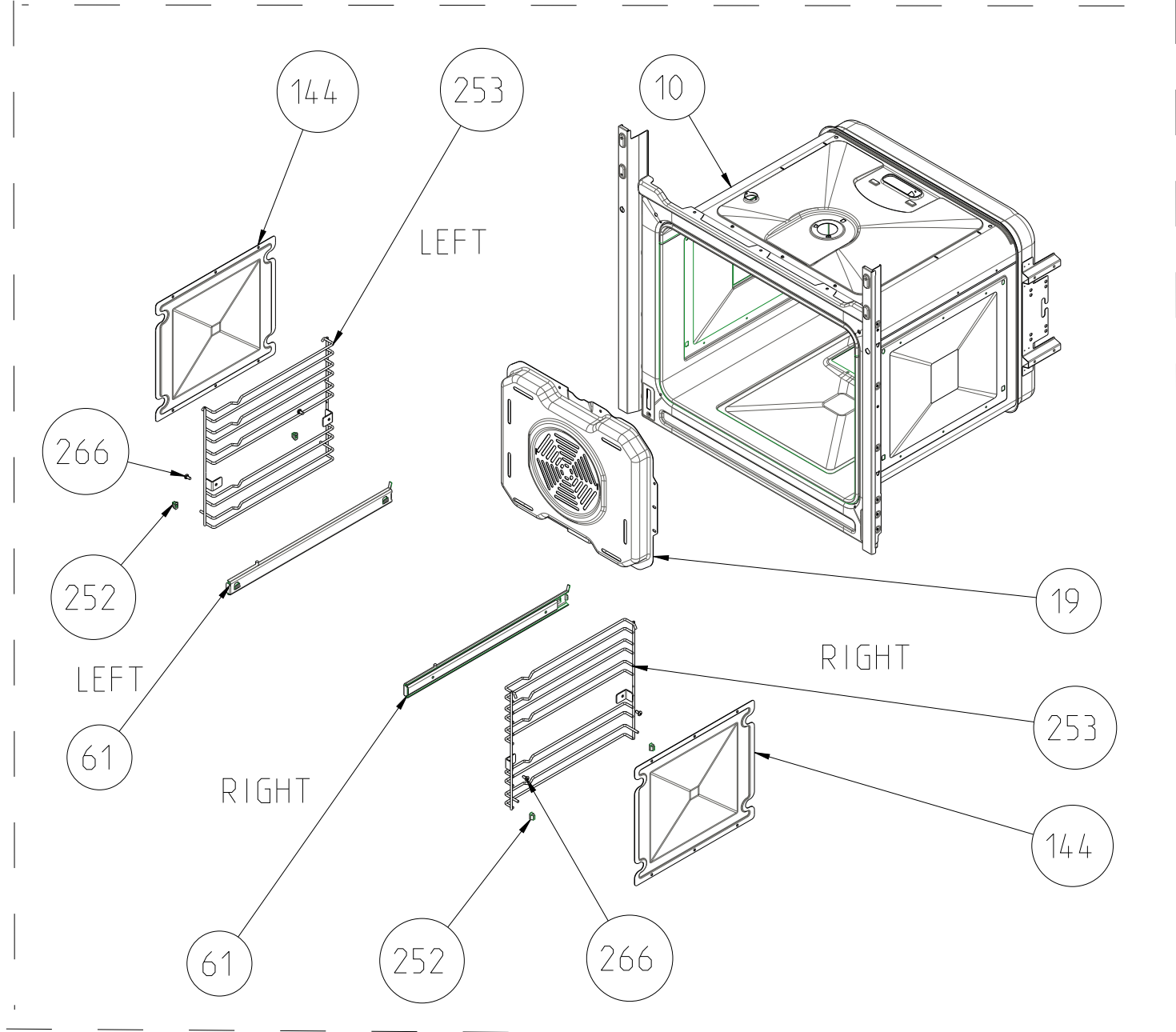
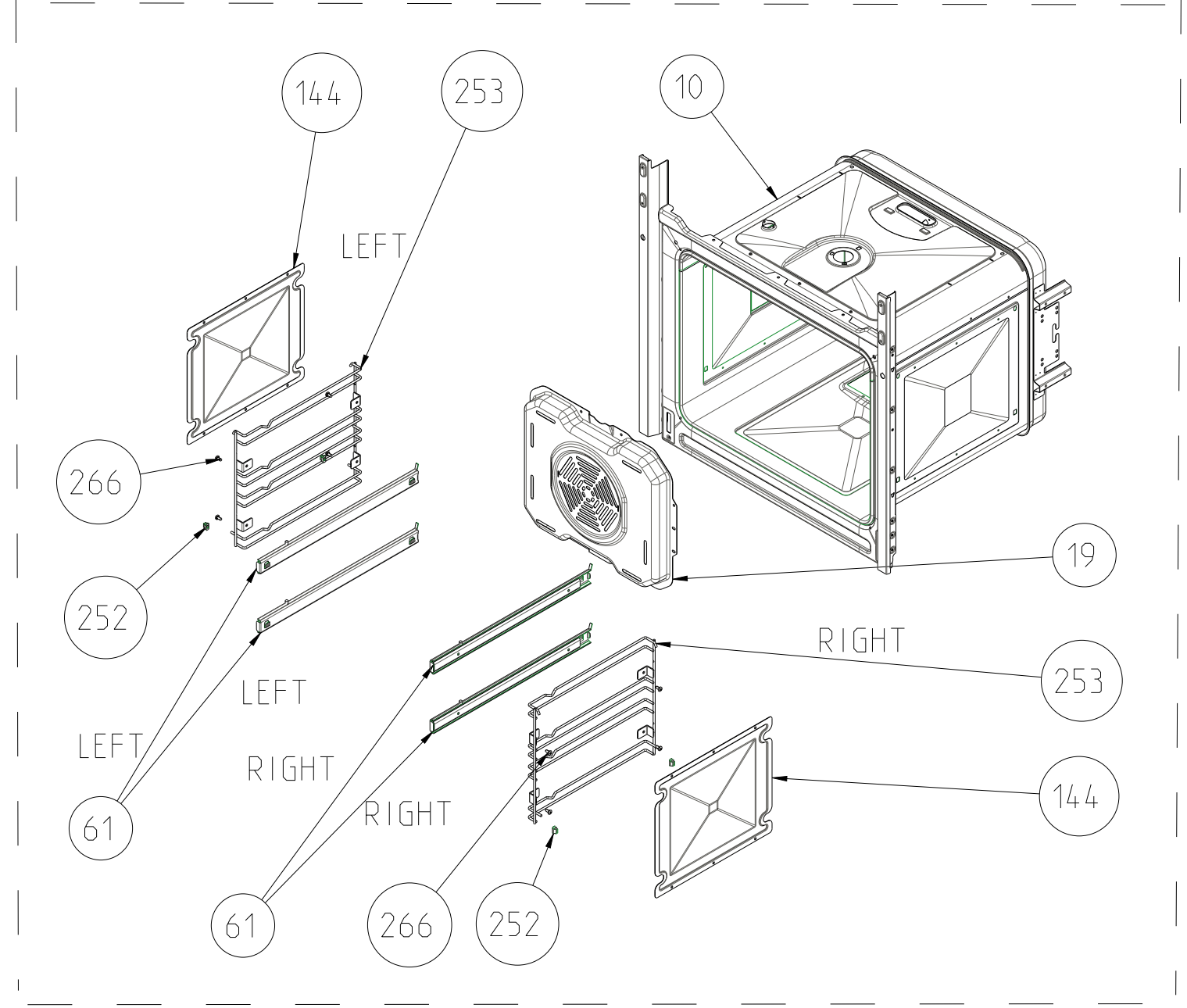


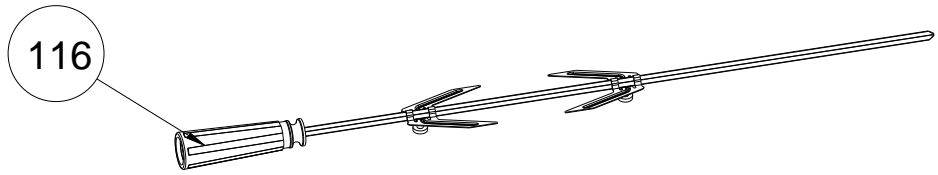
WIRE SHELF CAVITY ASSEMBLY WITH / WITHOUT CATALYTIC PANEL (OPTIONAL)



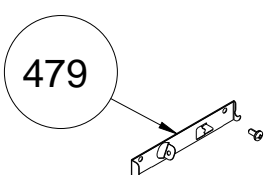
WIRE SHELF CAVITY ASSEMBLY WITH / WITHOUT CATALYTIC PANEL
OPTIONAL : TELESCOPIC RAIL (R / L)



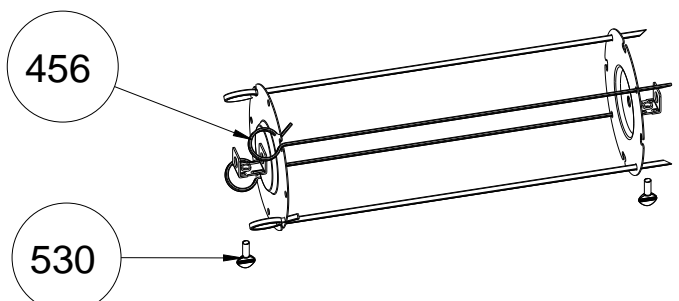
WIRE SHELF CAVITY ASSEMBLY WITH / WITHOUT CATALYTIC PANEL
OPTIONAL : DOUBLE TELESCOPIC RAILS (R / L)



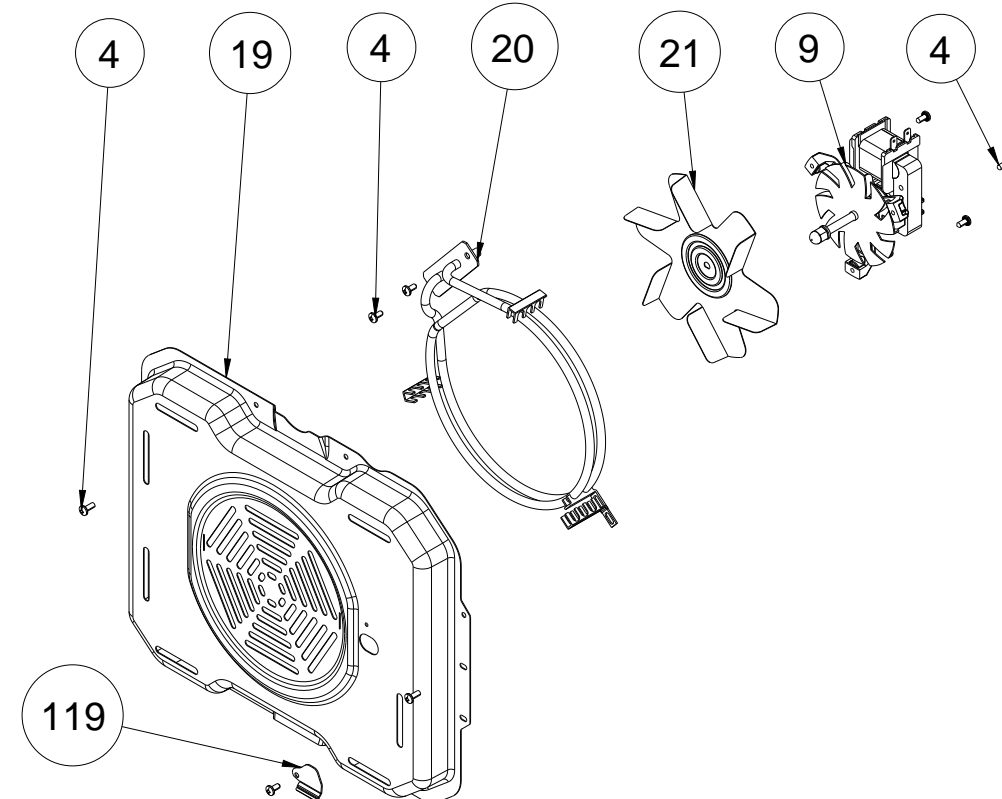
TURNSPIT SKEWER



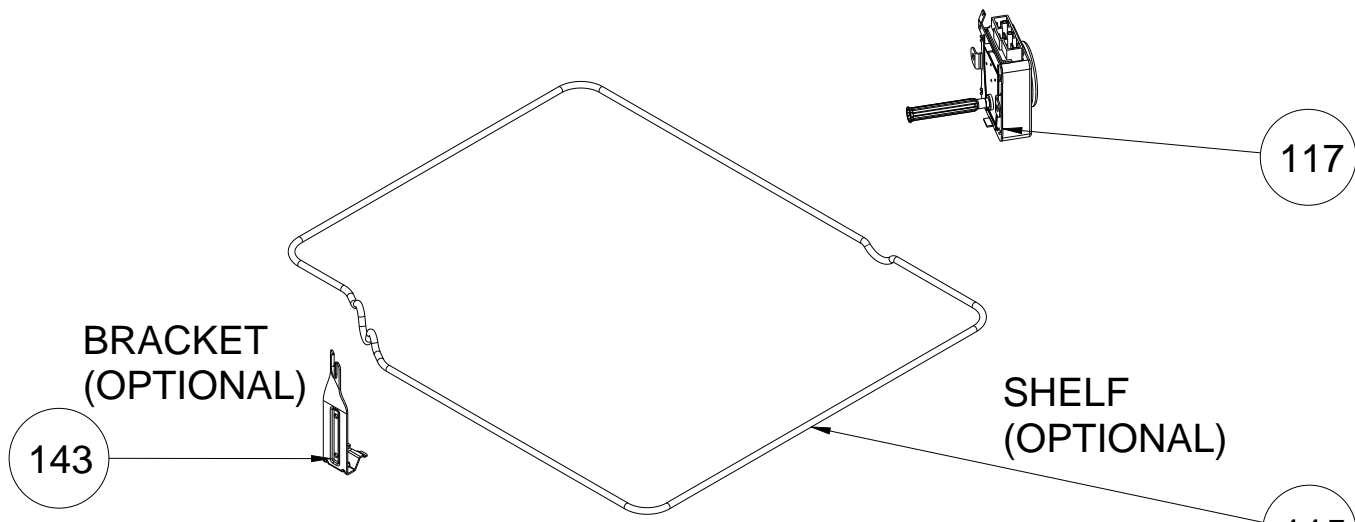
THERMIST BULB
HOLDER/BACKET



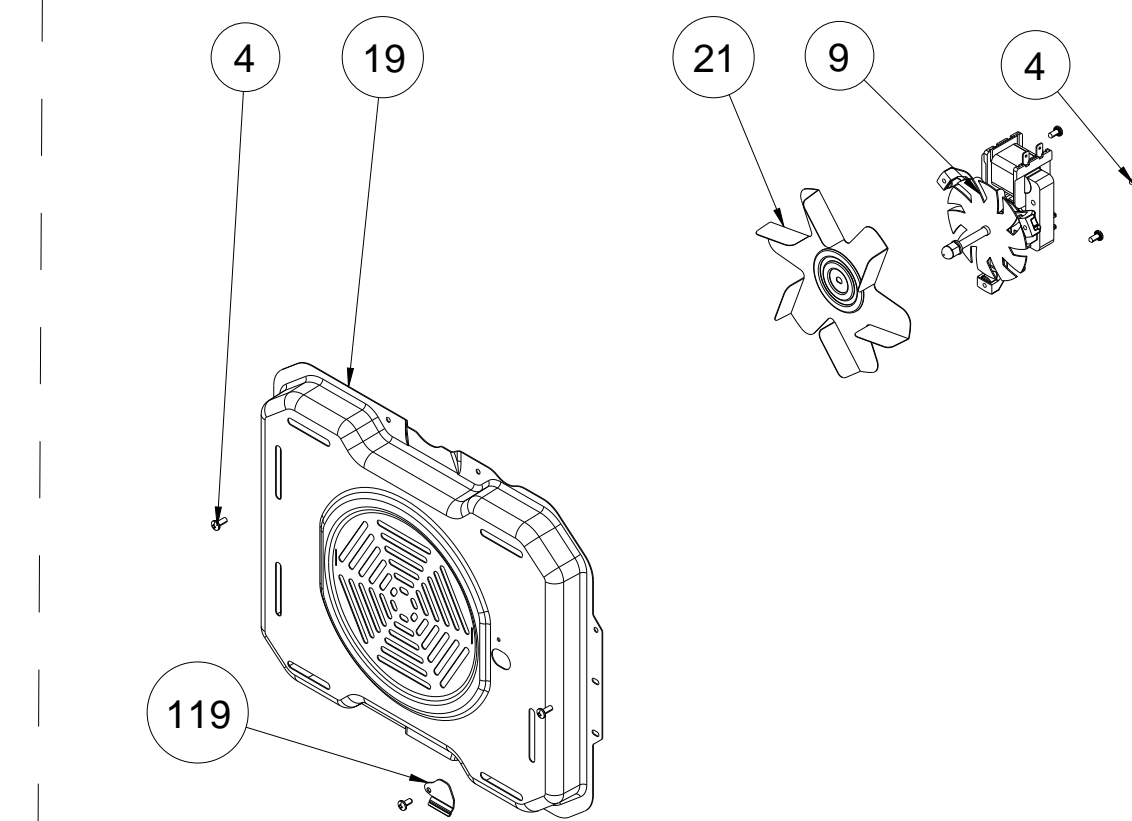
SHISH KEBAB
ACCESSORY (OPTIONAL)



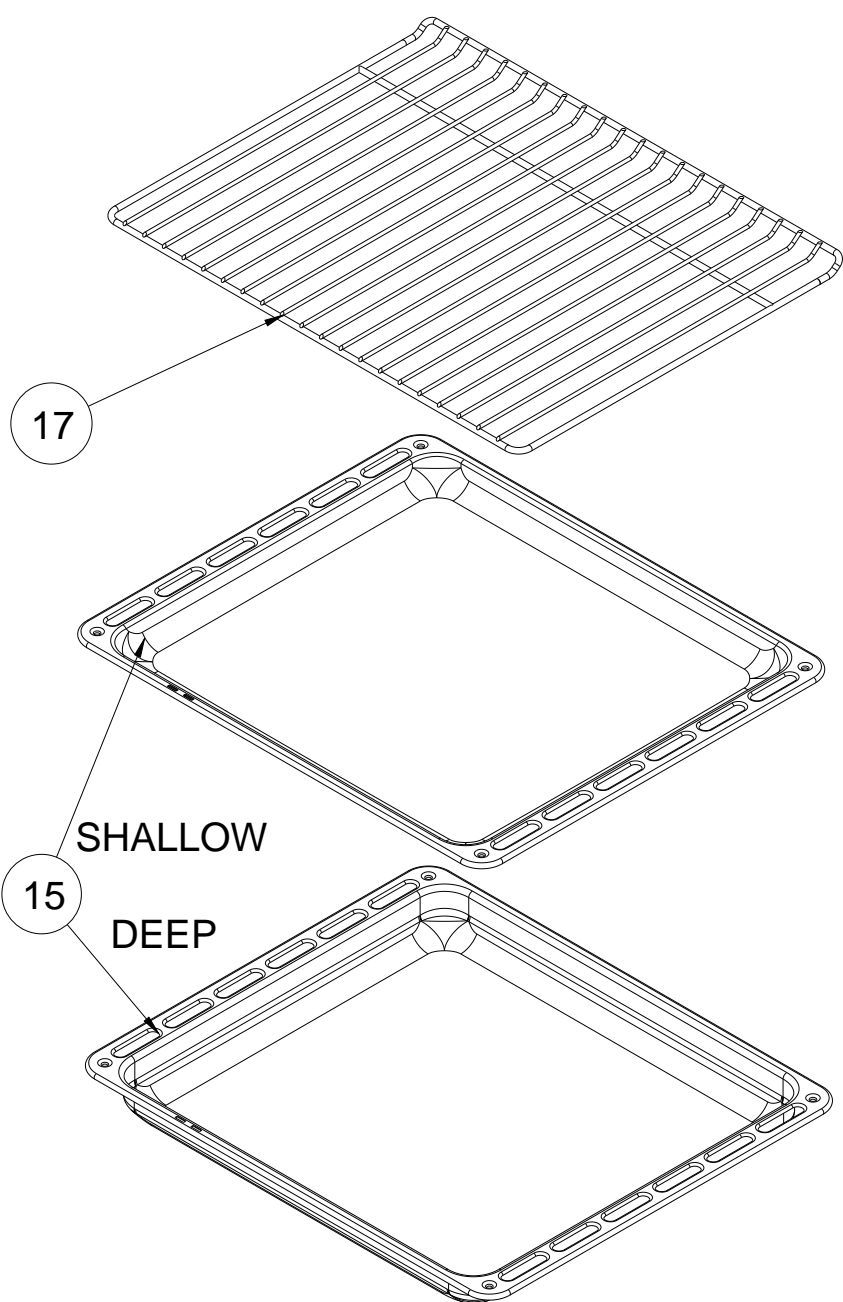
RING HEATING ELEMENT WITH FAN
(OPTIONAL)



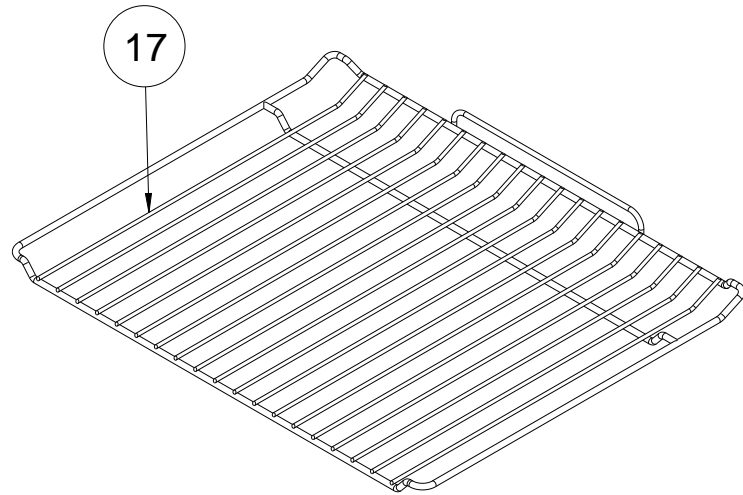
TURNSPIT(OPTIONAL)



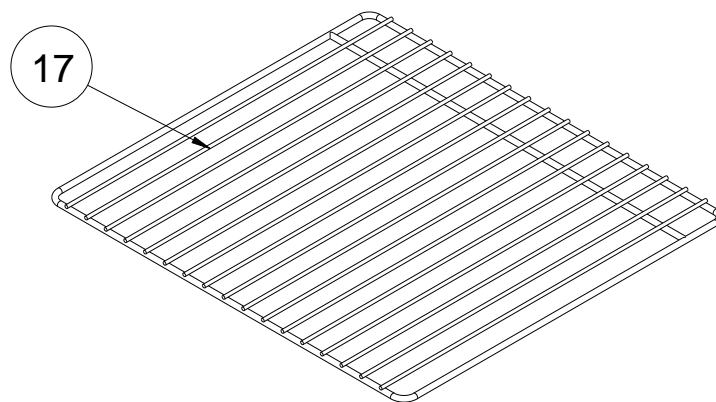
(FAN COVER/ FAN IMPELLER (6 WINGS)/
FAN MOTOR) (OPTIONAL)



TRAYS & GRID
(OPTIONAL)

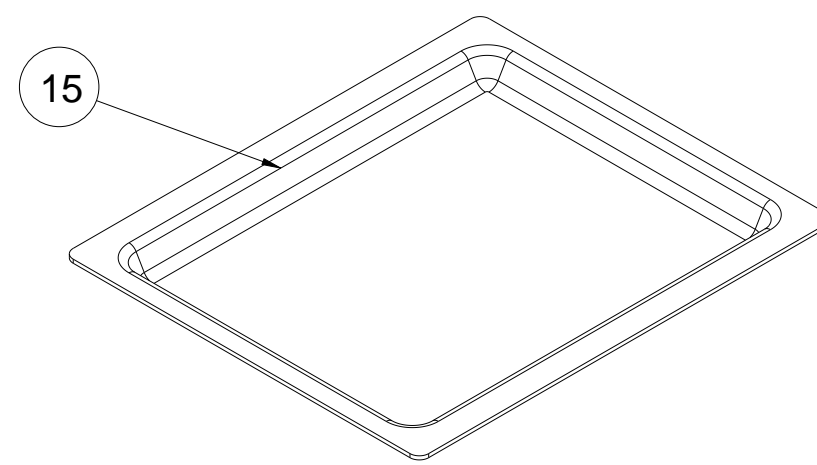


LOCKED

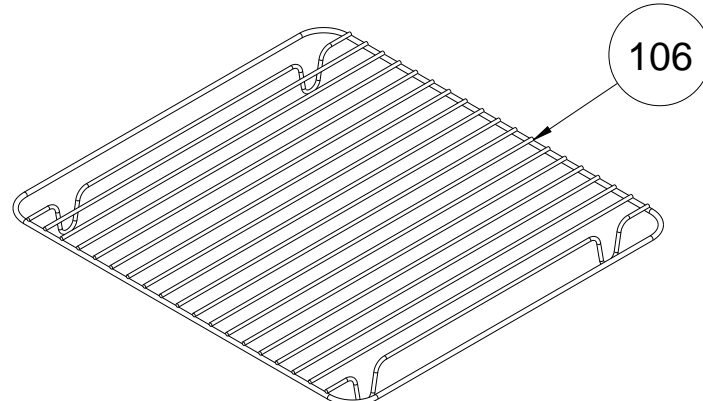


W. TELESCOPIC RAIL

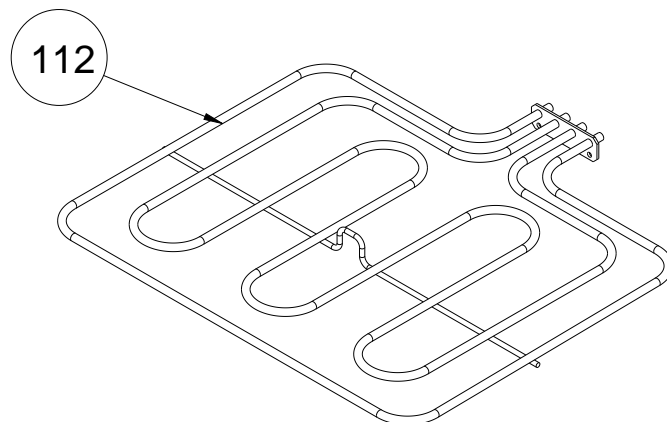
GRID
(OPTIONAL)



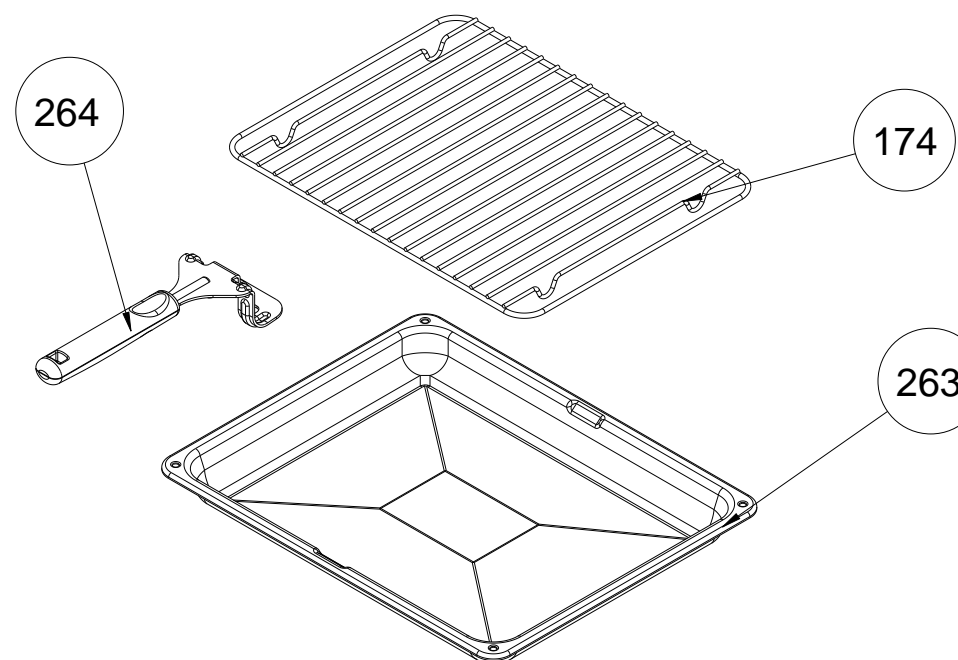
GLASS TRAY (OPTIONAL)



DEEP TRAY GRID
(OPTIONAL)



TOP AND GRILL HEATING
ELEMENT (OPTIONAL)

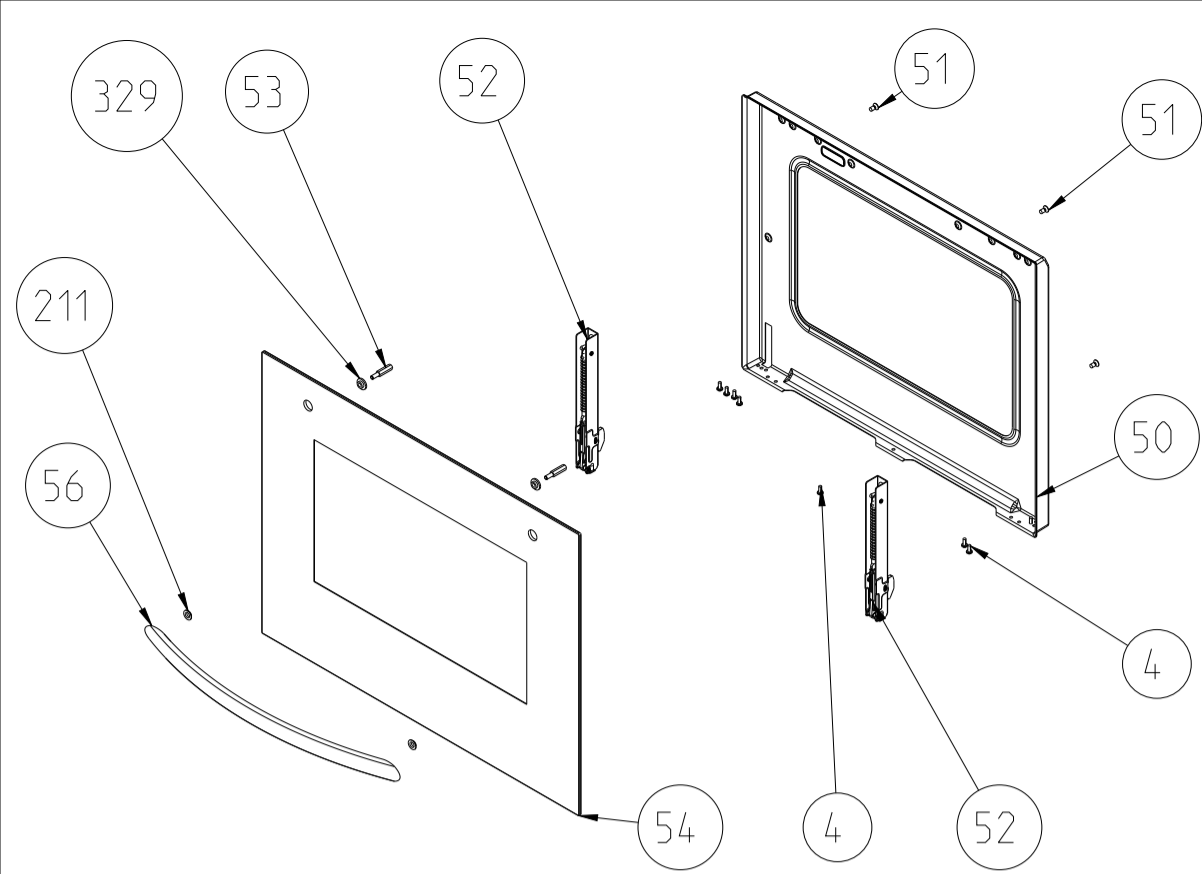


TRAY SET FOR GRID
(POSITION NO : 265)
(OPTIONAL)

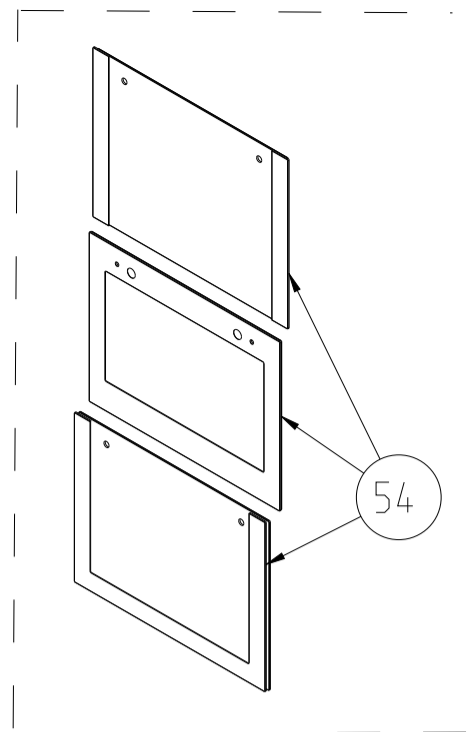
BUILT- IN OVEN PART LIST

POSITION NUMBER	PART NAME
2	OVEN LIGHT
4	SCREW (3.9*9.5)
7	REAR INSULATION COVER
9	FAN MOTOR
10	CAVITY
12	HINGE COUNTERPART (RIGHT / LEFT)
13	SCREW (M4*8, BLACK)
15	TRAY (DEEP / SHALLOW / GRILL)
16	OVEN DOOR GASKET
17	GRID (LOCKED , W. TELESCOPIC RAIL)
18	THERMOSTAT BULB BRACKET (FROM 12 12 2011)
19	FAN COVER
20	RING TUBULAR HEATING ELEMENT
21	FAN IMPELLER
28	REAR TOP PANEL
29	REAR PANEL
30	TERMINAL BOX
31	POWER CORD
32	SIDE PANEL (RIGHT-LEFT)
40	SCREW (KNURLED, 3.5*9.5)
61	TELESCOPIC RAIL (RIGHT, LEFT)
71	SCREW (KNURLED, 3.9*6.5)
80	SCREW (KNURLED, M4*6)
106	DEEP TRAY GRID
107	WASHER
110	BOTTOM HEATING ELEMENT
111	BOTTOM HEATING ELEMENT HOLDER
112	TOP AND GRILL HEATING ELEMENT
114	TOP HEATING ELEMENT BULB BRACKET
115	TURNSPIT HOUSE (SHELF)
116	TURNSPIT SKEWER (OPTIONAL)
117	TURNSPIT MOTOR 240V- 400V
125	SPACER (SQUARE & ROUND)
126	SCREW (3.5*25, BLACK)
143	TURNSPIT HOUSE (BRACKET)
144	SHELF (RIGHT-LEFT, CATALYTIC ENAMELLED)
174	TRAY GRID
200	BOTTOM PANEL
201	COOLING MOTOR
202	TOP INSULATION COVER
203	COOLING FAN DUCT
207	TOP PANEL
252	WIRE SHELF FIXING CLIP
253	WIRE SHELF (RIGHT-LEFT)
263	GRILL TRAY (BLACK)
264	TRAY HOLDER
265	TRAY SET (SMALL, BLACK)
266	WIRE SHELF FIXING SCREW
360	BUILT-IN OVEN DOOR SILICON BUFFER
448	LIMIT THERMOSTAT 200°C
	LIMIT THERMOSTAT 170°C
456	SHISH KEBAB ACCESSORY
479	THERMOSTAT BULB HOLDER (UNTIL 12 12 2011)
515	ELECTRONIC THERMOSTAT
530	EYE SCREW (M5*12)
552	EXHAUST (B-IN,NEW)
553	EXHAUST TOP PANEL (NEW G. B-IN)

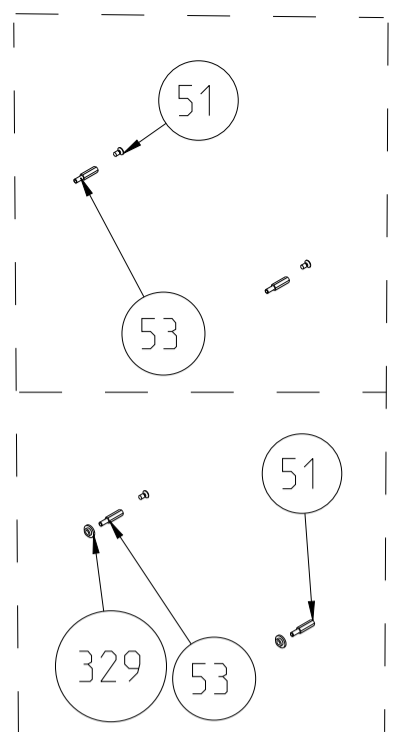
"The exploded views given in this document are generic. They include all possible versions of the product. For specific part codes, please refer to the bom list of regarding model."



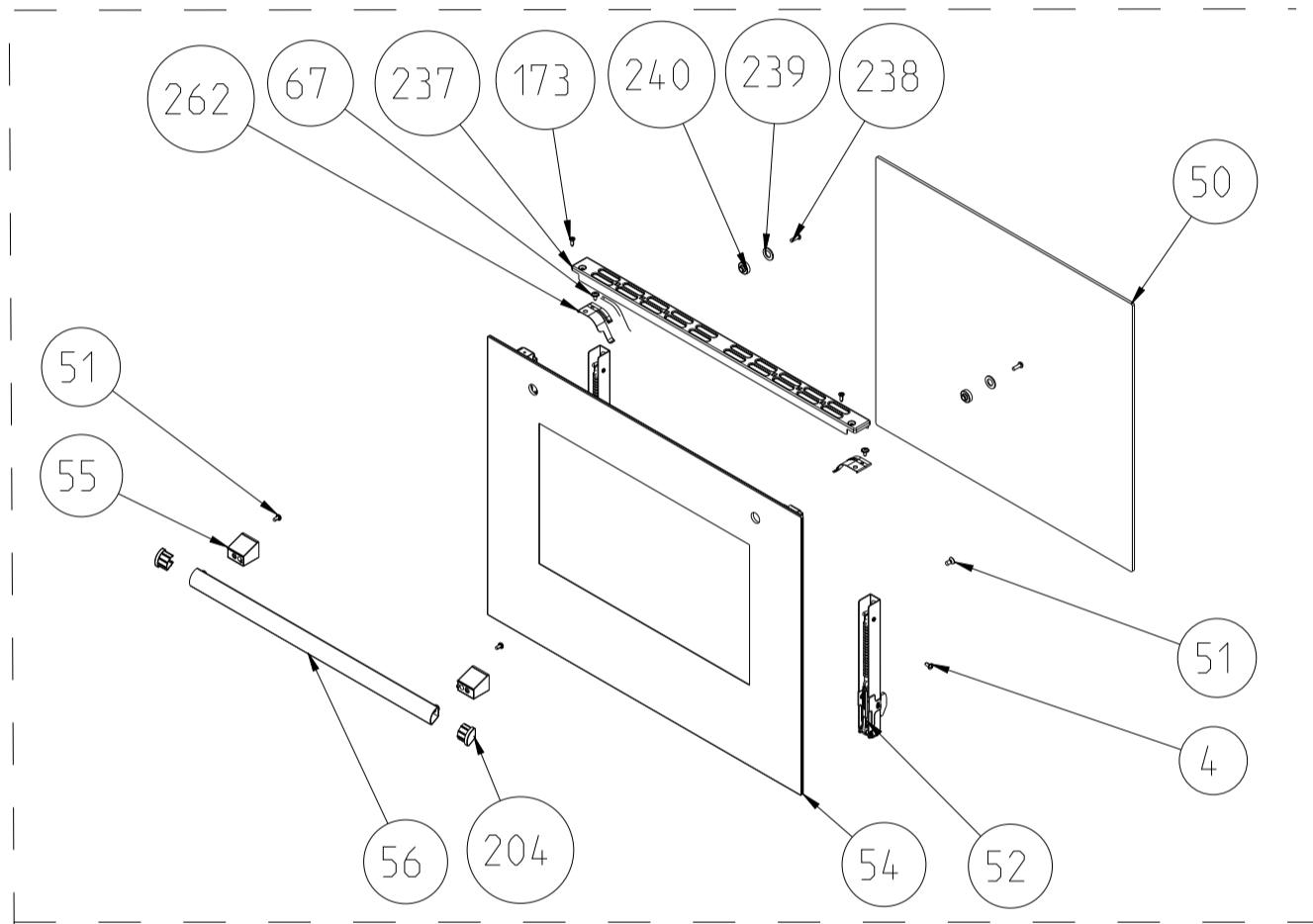
OVEN DOOR ASSEMBLY (OUTER & INNER)
(POSITION NO 378)



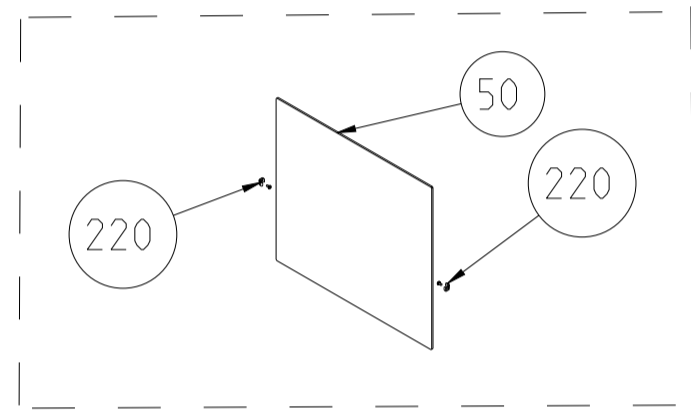
OVEN DOOR OUTER
GLASS ASSEMBLY WITH
INOX ADD-ON TYPES
(OPTIONAL)



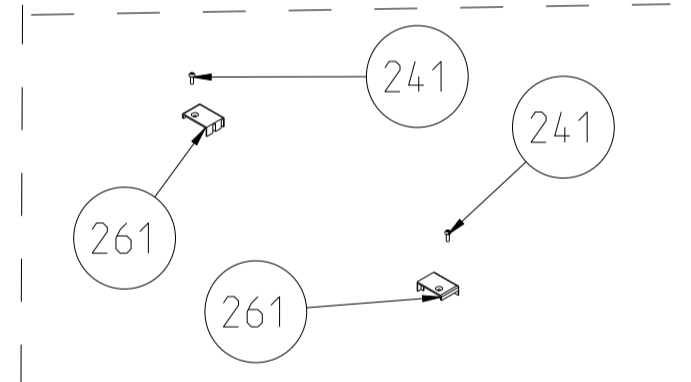
HANDLE ASSEMBLY
GROUP
(POSITION NO 49)
(OPTIONAL)



FLAT OVEN DOOR WITH FULL GLASS STRUCTURE (POSITION NO 377)
(OPTIONAL)



INTERVAL GLASS
(OPTIONAL)



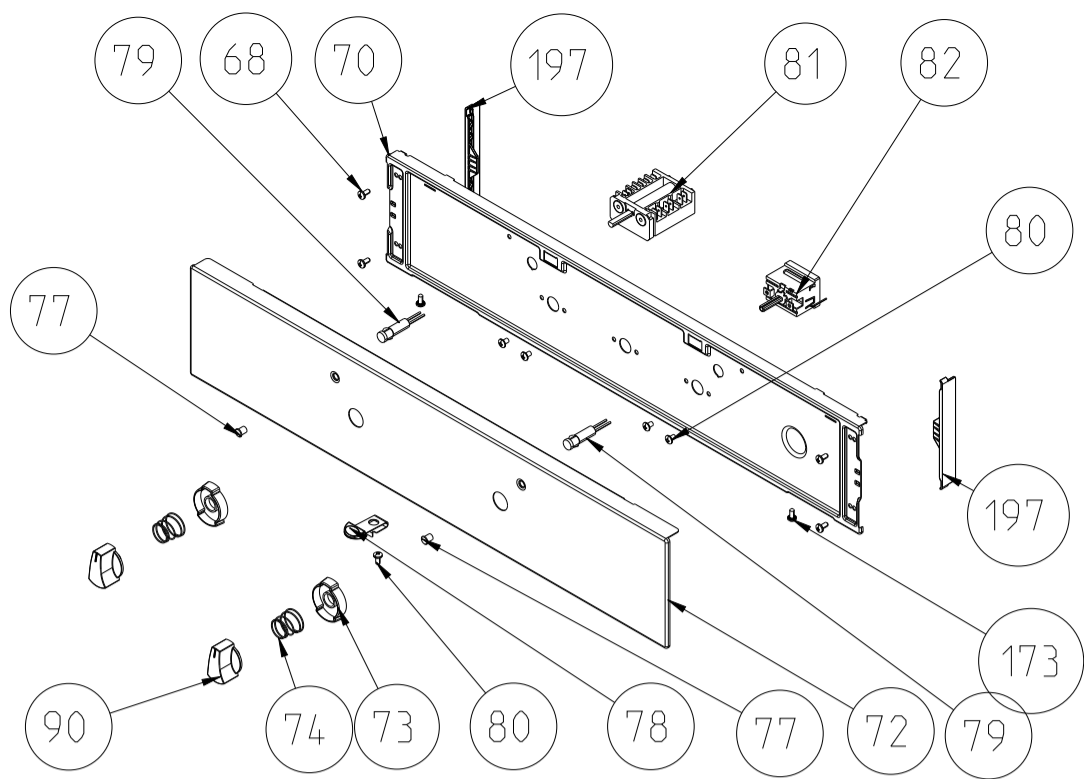
OVEN DOOR TOP PANEL PARTS
(OPTIONAL)

*Metal frames on outer glass, handle types, handle taps and brackets are optional.
Your cooker may be different cosmetically.

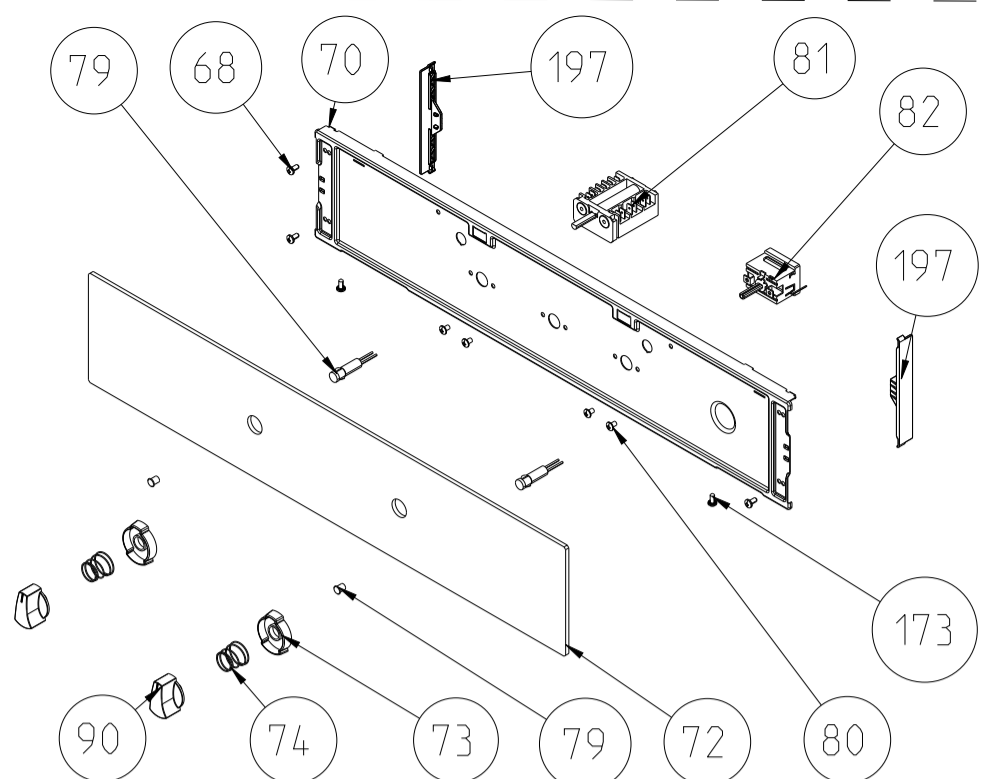
OVEN DOOR OUTER GLASS ASSEMBLY PARTS

POSITION NUMBER	PART NAME
4	SCREW (KNURLED, 3.9*9.5, BLACK)
49	HANDLE ASSEMBLY GROUP
50	INNER GLASS ASSEMBLY
51	SCREW (CIRCULAR-HEAD, M5*10)
	SCREW (COUNTERSUNK-HEAD, M5*10, BLACK)
52	OVEN DOOR HINGE
53	OVEN DOOR HANDLE ASSEMBLY STUD
54	OUTER GLASS ASSEMBLY
55	HANDLE BRACKET / BRACKET WITH CAP
56	HANDLE BODY (ELLIPSE ARC,FLAT QUADRANGLE,ARC TUBE,FLAT SLICE,D PROFILE ARC,ARC QUADRANGLE,3D QUADRANGLE,TRIO,METALUX,HANDLE WITHOUT FAN)
67	SCREW (3.9*9.5, SLIM HEAD)
329	
173	SCREW (COUNTERSUNK-HEAD, 3.9*13, BLACK)
204	HANDLE TAP
211	HANDLE ASSEMBLY GASKET
220	INTERVAL FRONT PANEL SPRING
237	DOUBLE GLAZED OVEN DOOR METAL TRIM
238	SCREW (COUNTERSUNK-HEAD, M5*18, BLACK)
239	HANDLE FIXING BUSH
240	SILICONE WASHER
241	SCREW (COUNTERSUNK-HEAD, 3,9*22, BLACK)
261	TOP PANEL PROFILES (RIGHT / LEFT)
262	REMOVABLE INNER GLASS SPRING (RIGHT / LEFT)
329	FLAT WASHER
377	FLAT PROF. COMPLETE DOOR
378	SOLID TYPE OVEN DOOR ASSEMBLY

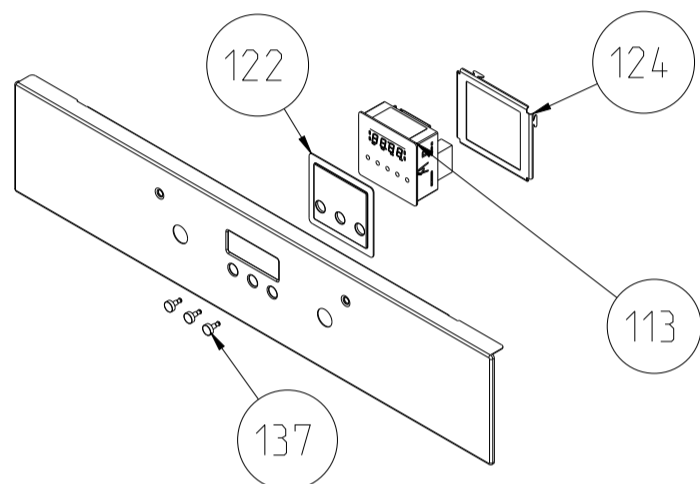
"The exploded views given in this document are generic.They include all possible versions of the product. For specific part codes, please refer to the bom list of regarding model."



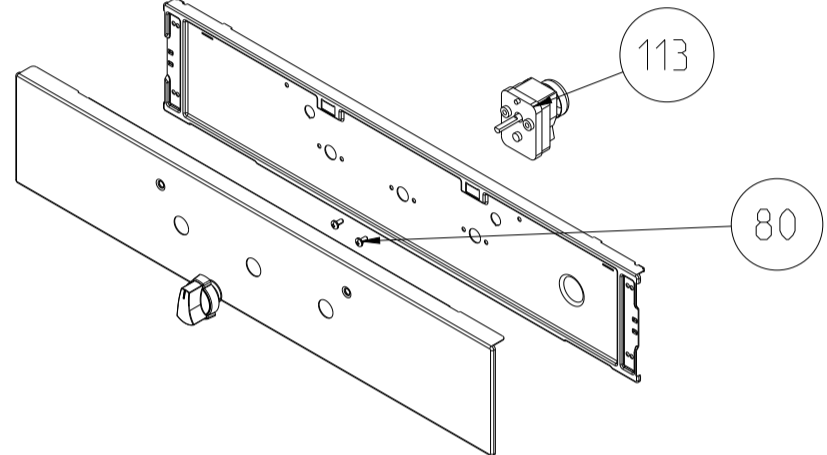
METAL CONTROL PANEL ASSEMBLY



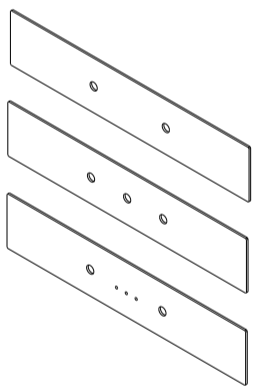
GLASS CONTROL PANEL ASSEMBLY (OPTIONAL)



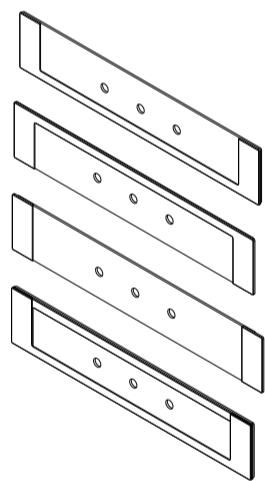
DIGITAL TIMER (OPTIONAL)



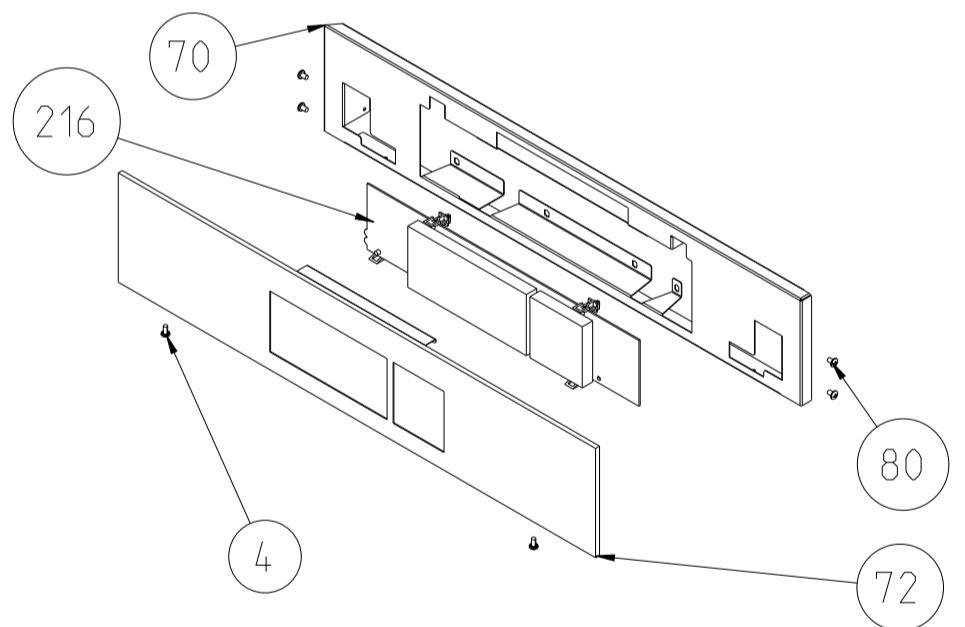
MECHANIC TIMER (OPTIONAL)



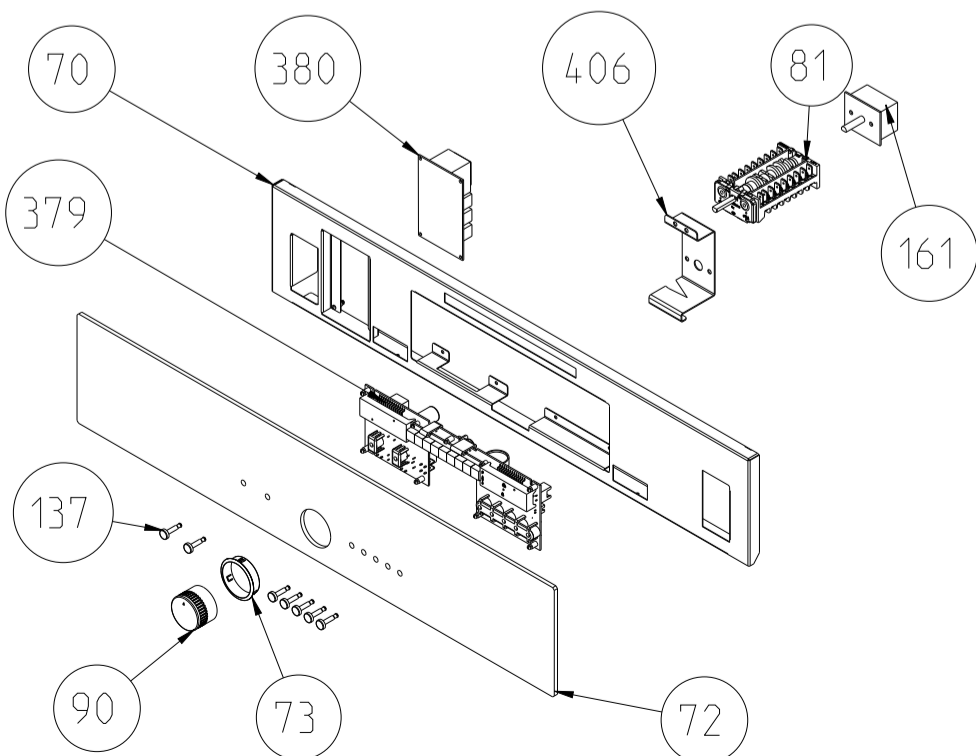
GLASS CONTROL PANELS (OPTIONAL)



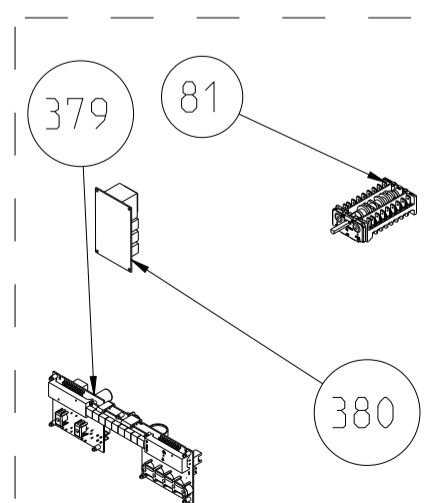
GLASS CONTROL PANELS WITH INOX ADD-ONS (OPTIONAL)



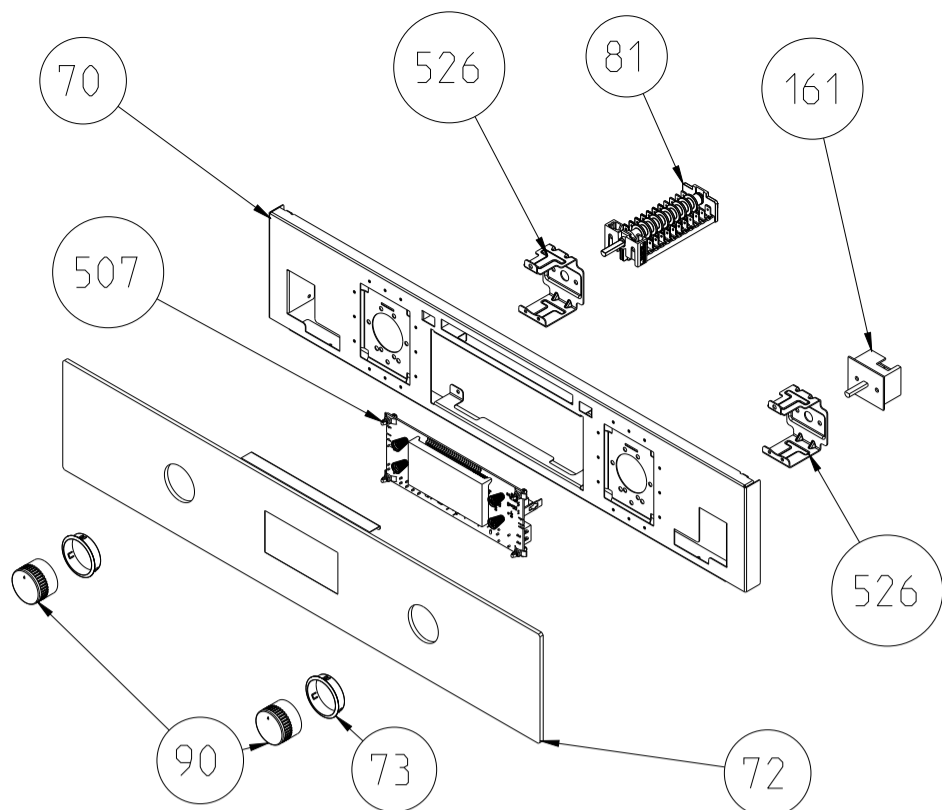
TOUCH CONTROLLED GLASS CONTROL PANEL ASSEMBLY (OPTIONAL)



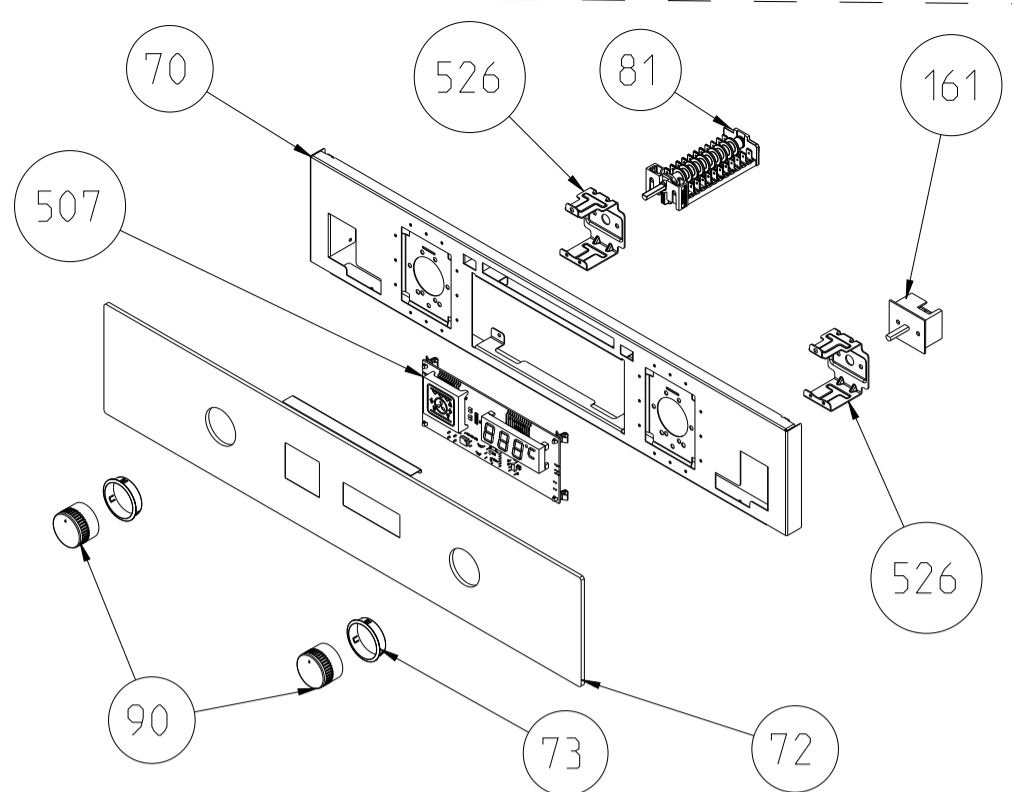
ELECTRONIC TIMERED GLASS CONTROL PANEL ASSEMBLY (OPTIONAL)



OVEN ELECTRONIC CONTROL GROUP (POSITION NO 381)



VISIO TOUCH TIMERED GLASS CONTROL
PANEL ASSEMBLY (OPTIONAL)



VISIO DISPLAY TIMERED GLASS CONTROL
PANEL ASSEMBLY (OPTIONAL)

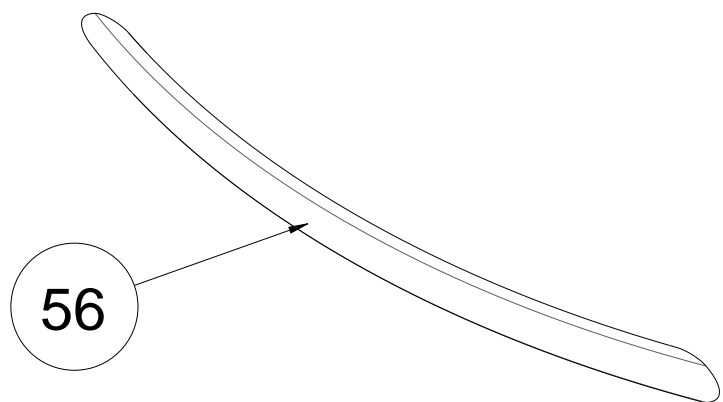
CONTROL PANEL ASSEMBLY PARTS

POSITION NUMBER	PART NAME
4	SCREW (KNURLED, 3.9*9.5)
68	SCREW (KNURLED, 3.9*9.5, BLUNT TYPE)
70	INNER PANEL
72	FRONT PANEL GROUP (GLASS / METAL)
73	KNOB RING
74	KNOB SPRING
77	SIGNAL LAMP LENS
78	CHILD LOCK
79	SIGNAL LAMP BODY
80	SCREW (KNURLED, M4*6)
81	FUNCTION SELECTOR SWITCH
82	CAPILLARY THERMOSTAT
90	KNOB - ELECTRICAL
113	TIMER (MECHANIC / DIGITAL / ANALOG)
122	DIGITAL TIMER LENS (BUILT-IN / FS)
124	TIMER HOLDER (ONLY FOR METAL PANEL)
137	TIMER BUTTON
161	ENCODER POWER SWITCH WITH 10 DEGREES
173	SCREW (COUNTERSUNK-HEAD, 3.9*13)
197	INNER PANEL SIDE PLASTIC PART (YNA)
216	TOUCH CONTROL UNIT (OVEN)
379	OVEN CIRCUIT
380	MAIN POWER CARD
381	OVEN ELECTRONIC CONTROL GROUP
406	POWER SWITCH SUPPORT
507	VISIO CONTROL WITH TOUCH INTERFACE (RED)
526	POP IN ASSEMBLY BRACKET (BUILT-IN)

"The exploded views given in this document are generic. They include all possible versions of the product.

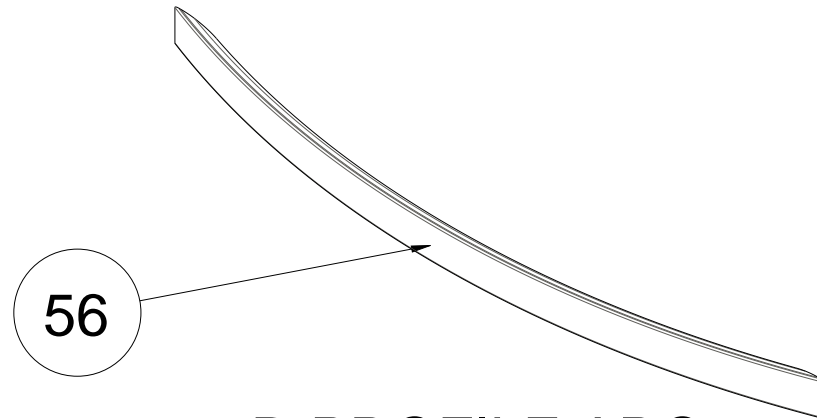
For specific part codes, please refer to the bom list of regarding model."

OVEN DOOR HANDLES (OPTIONAL)
HANDLES WITHOUT TAP & BRACKET



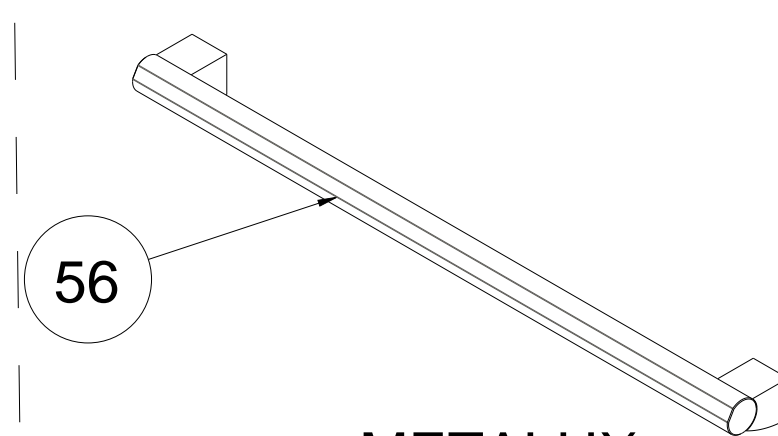
56

ELLIPSE ARC



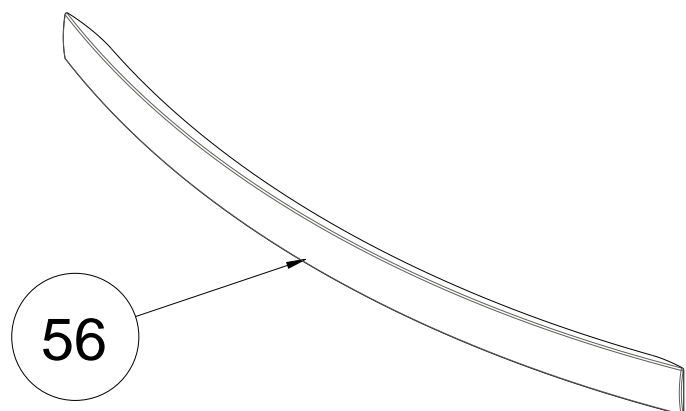
56

D PROFILE ARC



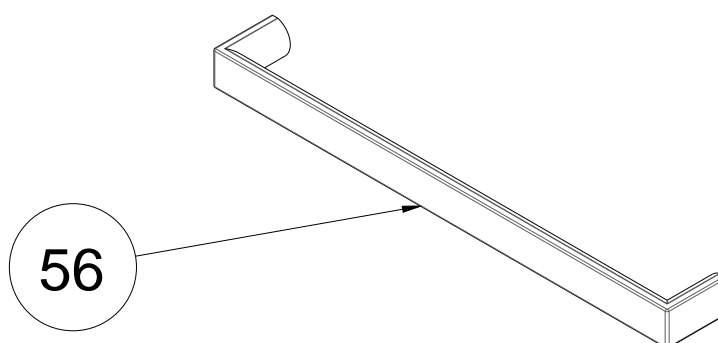
56

METALUX



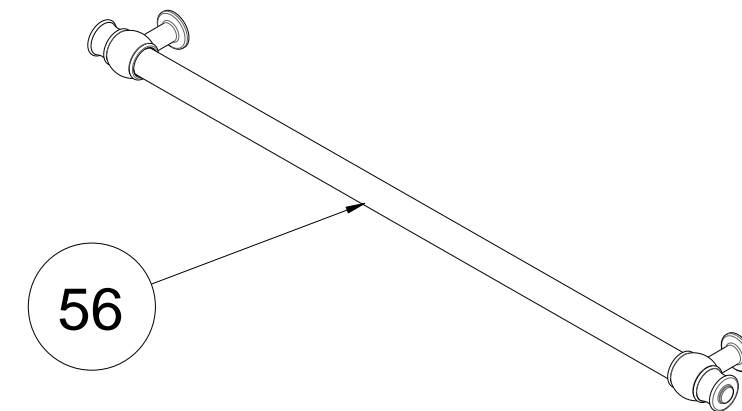
56

D PROFILE ARC, ELECTROLUX
(ONLY FOR FS - OPTIONAL)



56

FNP (ONLY FOR BUILT-IN -
OPTIONAL)

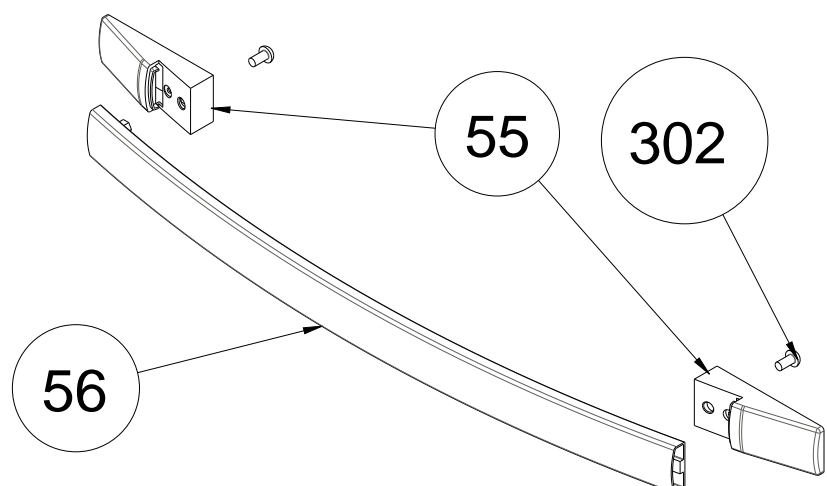


56

RUSTIC

HANDLES WITH BRACKET

HANDLES WITH TUNNEL TAP

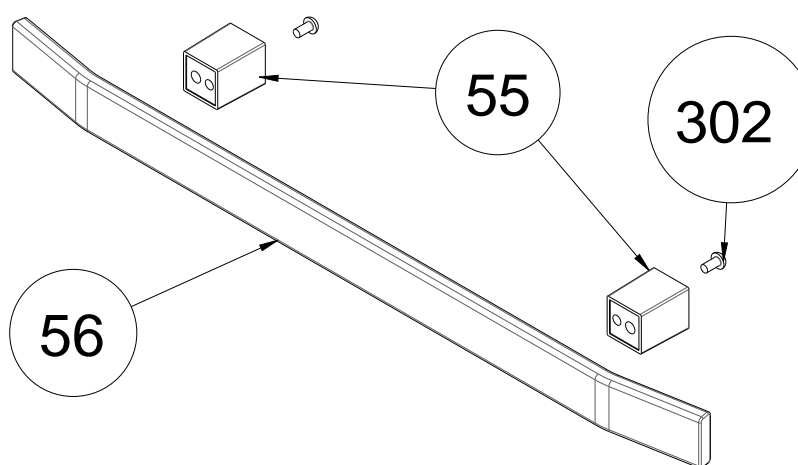


56

55

302

ARC QUADRANGLE

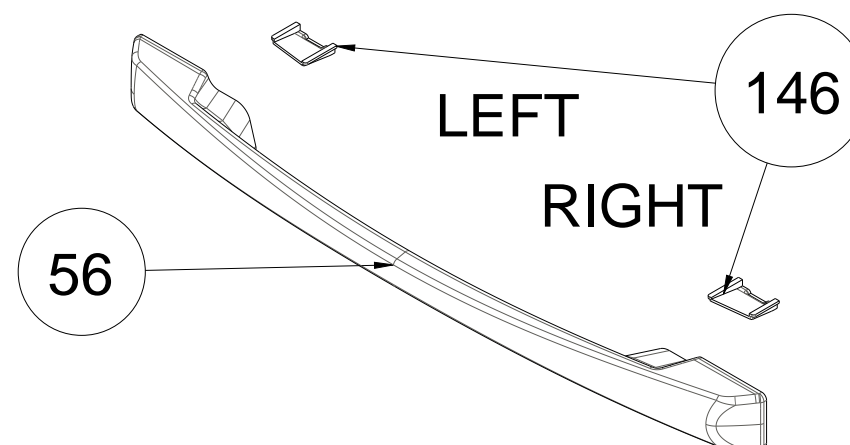


56

55

302

3D QUADRANGLE (ONLY FOR
FS/ NEW G/ BUILT-IN - OPTIONAL)



56

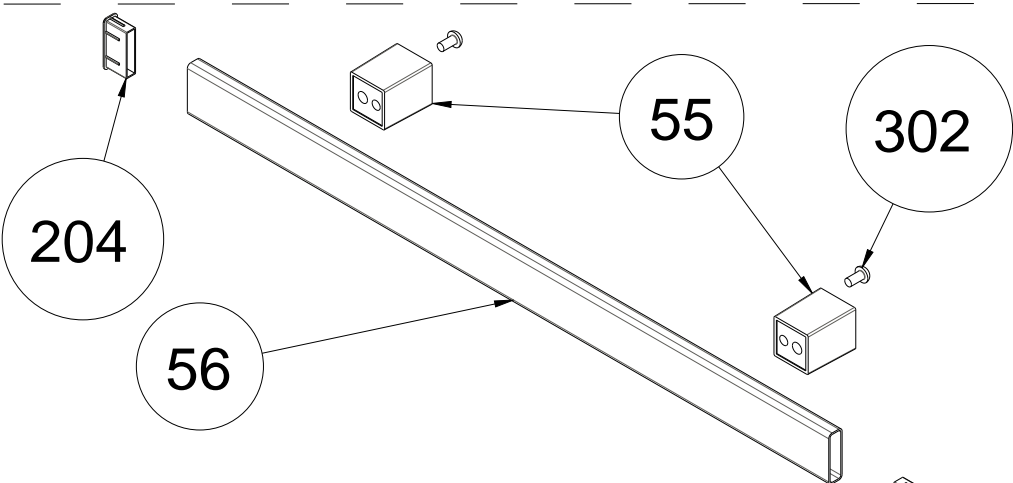
LEFT

RIGHT

146

NO FAN TYPE (ONLY FOR
BUILT-IN - OPTIONAL)

HANDLES WITH TAP & BRACKET



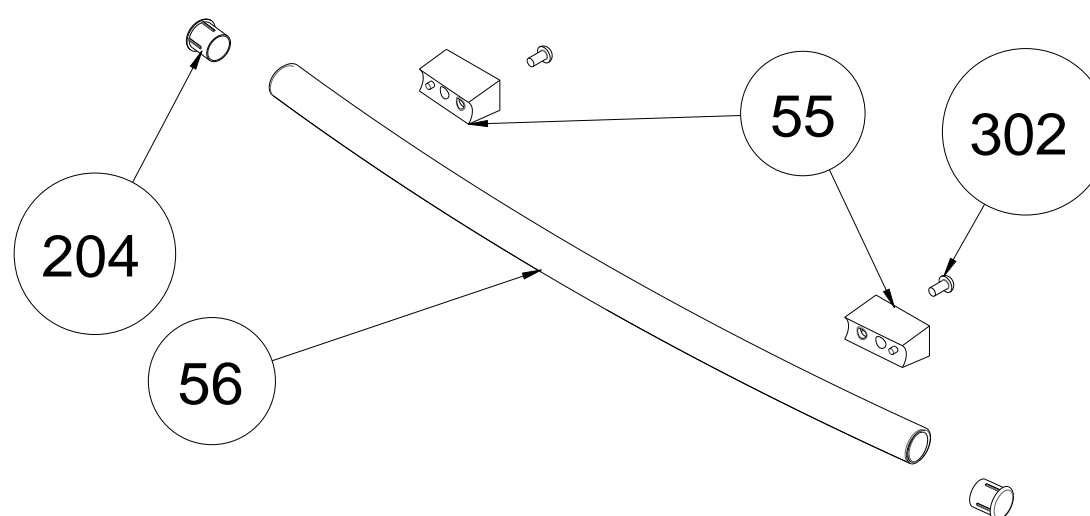
204

56

55

302

FLAT QUADRANGLE
(ONLY FOR FS/ NEW G/ BUILT-IN - OPTIONAL)



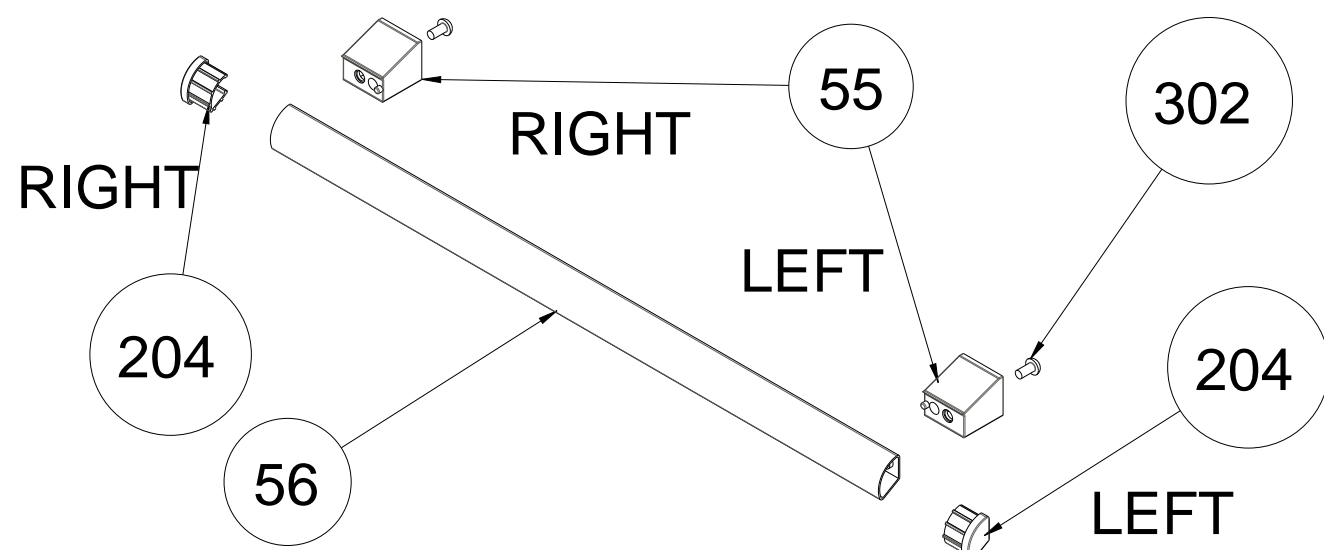
204

56

55

302

ARC TUBE



RIGHT

204

56

RIGHT

LEFT

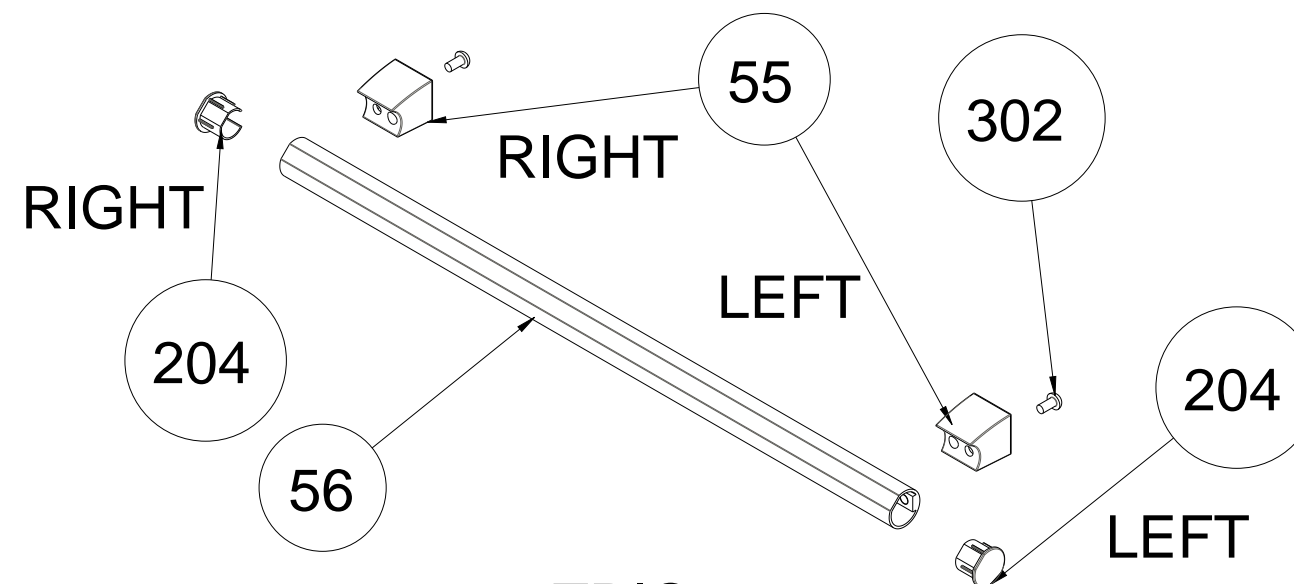
55

302

204

LEFT

FLAT SLICE



RIGHT

204

56

RIGHT

LEFT

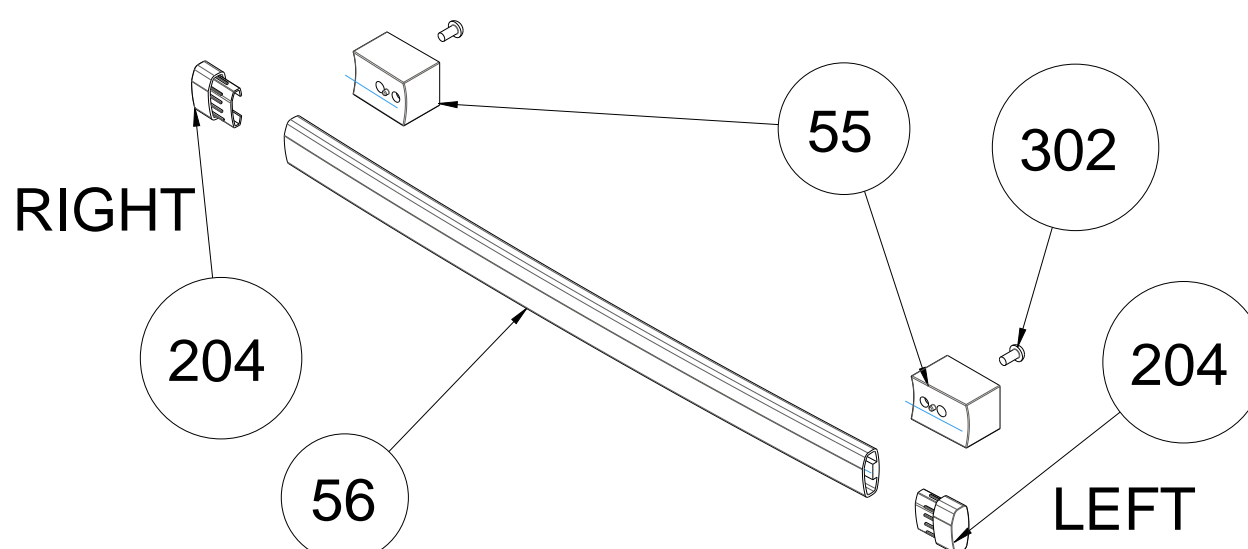
55

302

204

LEFT

TRIO



RIGHT

204

56

55

302

204

LEFT

CURVED QUADRANGLE

KNOBS (ONLY FOR BUILT-IN - OPTIONAL)

 <p>90</p> <p>DELTA</p>	 <p>90 74 73</p> <p>DELTA RING</p>	 <p>90</p> <p>ALFA</p>	 <p>90</p> <p>GAMA</p>	 <p>90</p> <p>ZETA</p>	 <p>90 74 73</p> <p>SIGMA(SMALL)</p>
 <p>90 74 73</p> <p>TRIO</p>	 <p>90</p> <p>CANDY</p>	 <p>90</p> <p>ECLIPSE</p>	 <p>90</p> <p>RUSTIC RISUS</p>	 <p>90</p> <p>BIG MACRO</p>	 <p>90</p> <p>SMALL MACRO</p>
 <p>90</p> <p>VESTA</p>	 <p>90</p> <p>JANNU</p>	 <p>90</p> <p>NORD</p>	 <p>90 74 73</p> <p>OMEGA</p>	 <p>90 74 73</p> <p>EPSILON</p>	 <p>90 74 73</p> <p>GAMA RING</p>
 <p>90 74 73</p> <p>ECLIPSE RING</p>	 <p>90 74 73</p> <p>SPECTRUM</p>	 <p>90 74 73</p> <p>RIMO</p>	 <p>90</p> <p>VARIO</p>	 <p>90 74 73</p> <p>ANTERO</p>	 <p>90</p> <p>POP-IN</p>