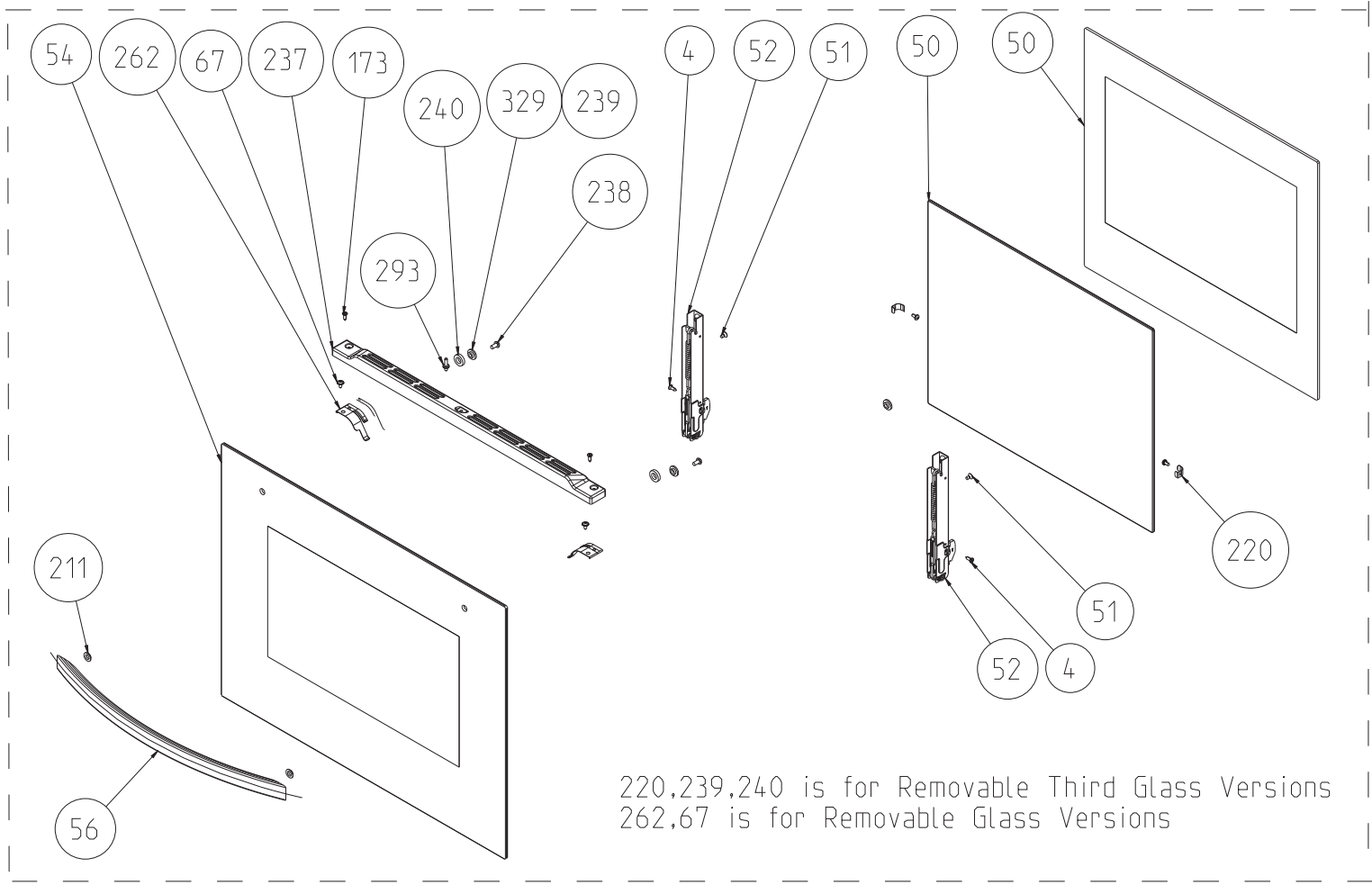
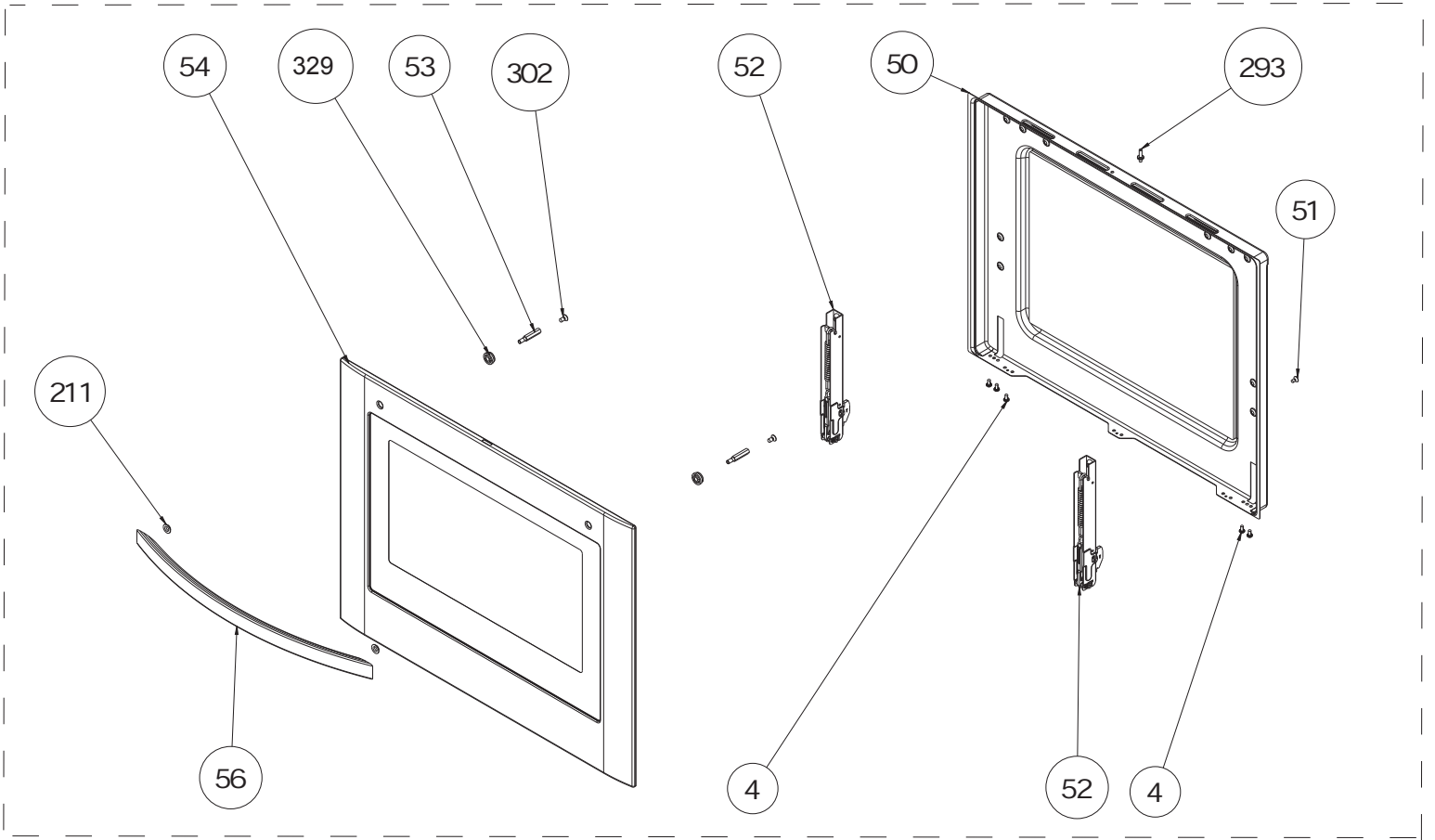


FLAT TYPE OVEN DOOR - POSITION NO 376 (OPTIONAL)

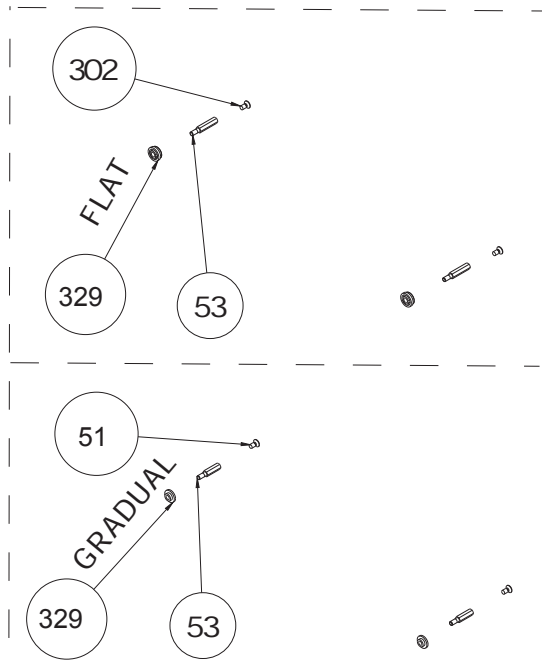


220,239,240 is for Removable Third Glass Versions
 262,67 is for Removable Glass Versions

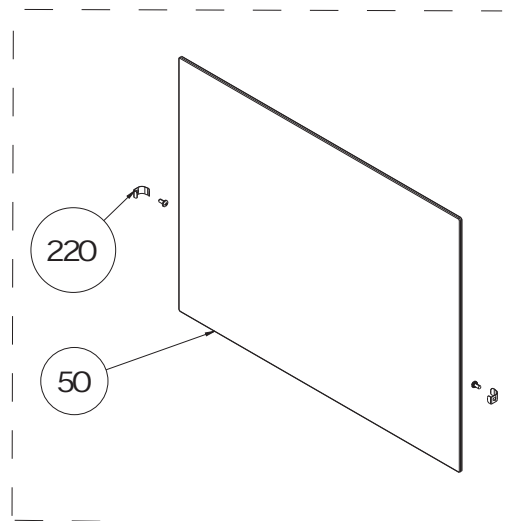
FLAT TYPE OVEN DOOR WITH FULL GLASS STRUCTURE - POSITION NO 377 (OPTIONAL)



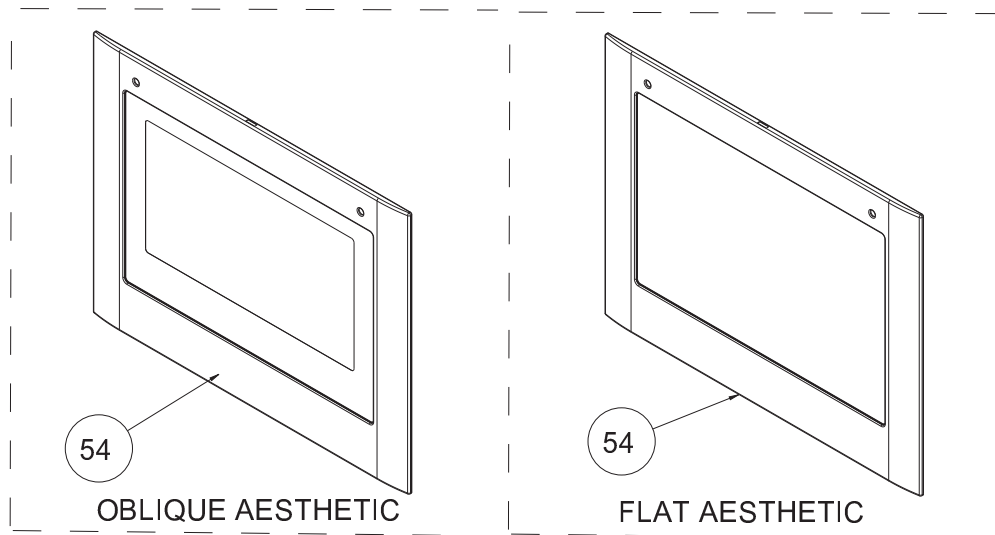
SOLID TYPE - POSITION NO 395 (OPTIONAL)



HANDLE ASSEMBLY GROUP -
POSITION NO 49
(OPTIONAL)



INTERVAL GLASS
(ONLY FOR FLAT TYPE OVEN DOOR
WITH FULL GLASS STRUCTURE)
(OPTIONAL)

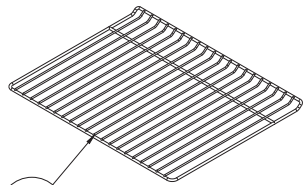


SOLID TYPE - POSITION NO 54 (OPTIONAL)

OVEN DOOR OUTER GLASS ASSEMBLY PARTS

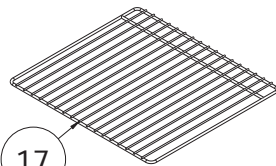
POSITION NUMBER	PART NAME
4	SCREW (KNURLED, 3.9*9.5, BLACK)
49	HANDLE ASSEMBLY GROUP
50	INNER GLASS ASSEMBLY
51	INNER LID TOP CONTACT SCREW
52	OVEN DOOR HINGE
53	OVEN DOOR HANDLE ASSEMBLY STUD
54	OUTER GLASS ASSEMBLY
55	HANDLE BRACKET / BRACKET WITH CAP
56	HANDLE BODY
67	REMOVABLE INNER GLASS SPRING CONTACT SCREW
75	NEW G. FS OVEN DOOR SILICONE STOPER
107	GRADUAL/FLAT WASHER
173	DOUBLE GLAZED OVEN DOOR METAL TRIM CONTACT SCREW
204	HANDLE TAP
211	HANDLE ASSEMBLY GASKET
220	INTERVAL FRONT PANEL SPRING
237	DOUBLE GLAZED OVEN DOOR METAL TRIM
238	OVEN DOOR HANDLE CONTACT SCREW
239	HANDLE FIXING BUSH
240	SILICONE WASHER
262	REMOVABLE INNER GLASS SPRING (LEFT / RIGHT)
293	DOOR LOCK PIN
302	HANDLE BRACKET CONTACT SCREW
329	WASHER
367	THERMOMETER GROUP
375	SOLID TYPE OVEN DOOR (FLAT / OBLIQUE)
376	SOLID TYPE OVEN DOOR ASSEMBLY
377	OVEN DOOR GROUP

"The exploded views given in this document are generic. They include all possible versions of the product. For specific part codes, please refer to the bom list of regarding mod



17

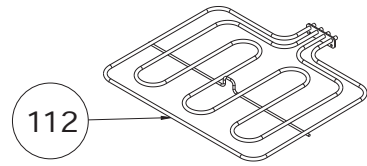
LOCKED



17

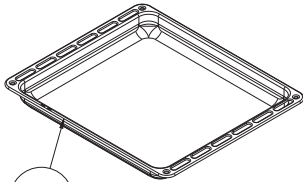
W. TELESCOPIC RAIL

GRID (OPTIONAL)



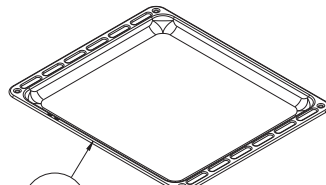
112

TOP AND GRILL HEATING ELEMENT (OPTIONAL)



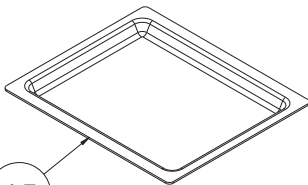
15

DEEP



15

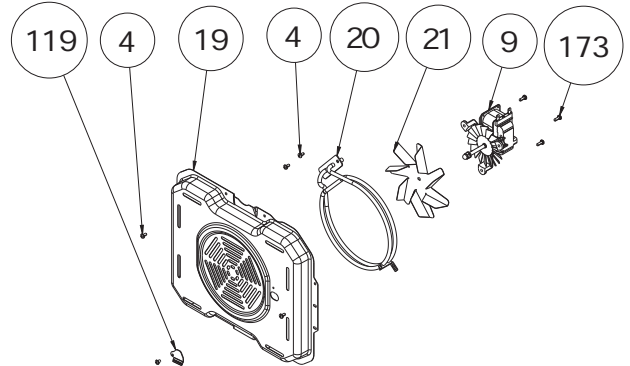
SHALLOW



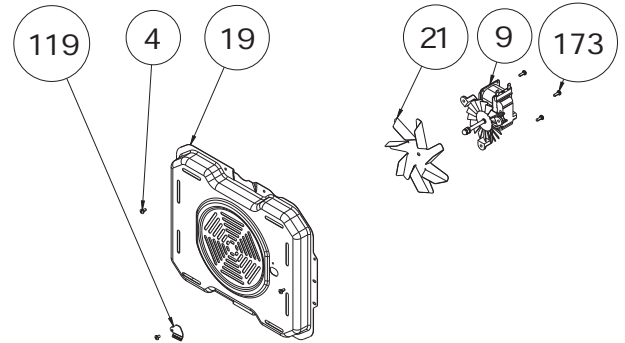
15

GLASS

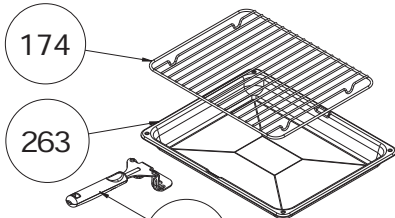
TRAYS (OPTIONAL)



RING HEATING ELEMENT WITH FAN (OPTIONAL)



(FAN COVER/FAN IMPELLER (6 WINGS) /FAN MOTOR) (OPTIONAL)

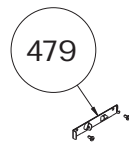


174

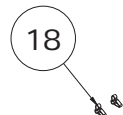
263

264

GRILL PAN AND HANDLE SET (TRAY SET FOR GRILL) - POSITION NO 265 (OPTIONAL)



479



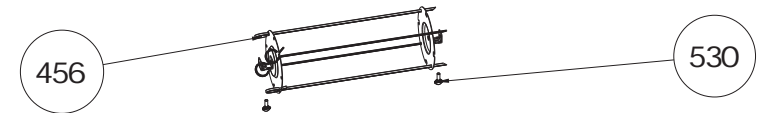
18

THERMIST BULB HOLDER BRACKET



116

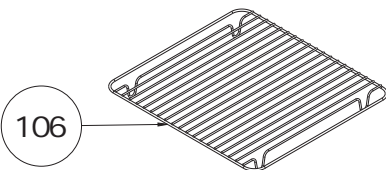
TURNSPIT SKEWER



456

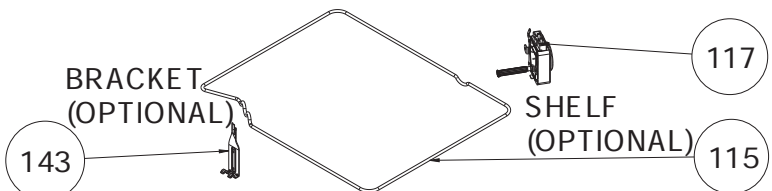
530

SHISH KEBAB ACCESSORY (OPTIONAL)



106

DEEP TRAY GRID (OPTIONAL)



143

117

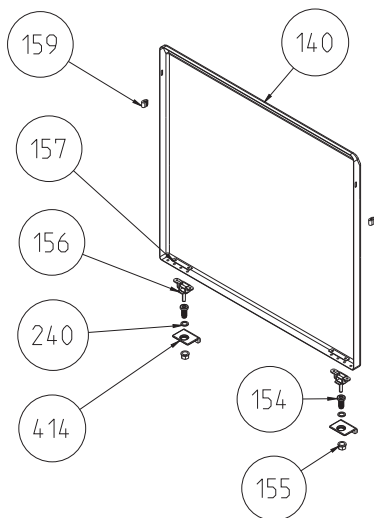
115

BRACKET (OPTIONAL)

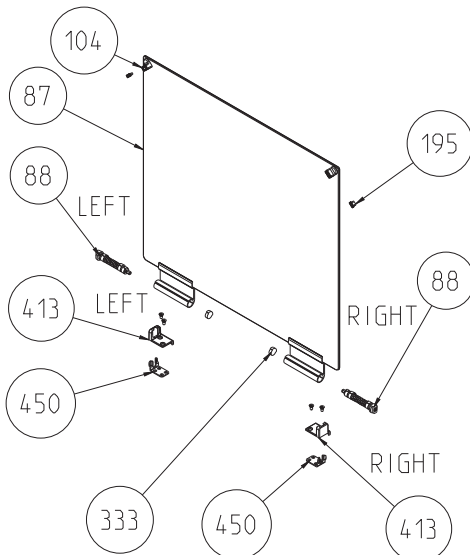
SHELF (OPTIONAL)

TURNSPIT (OPTIONAL)

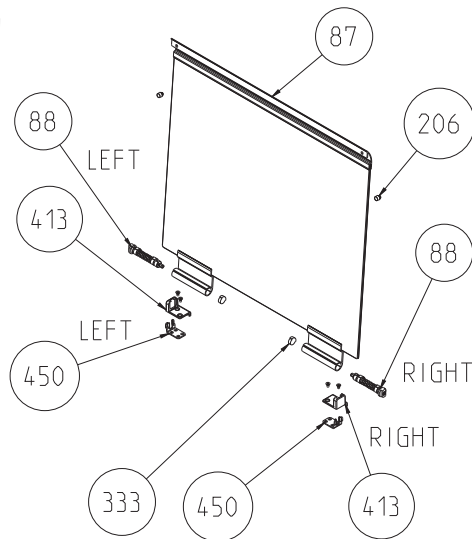
EXPLODED VIEW - CAVITY ASSEMBLY



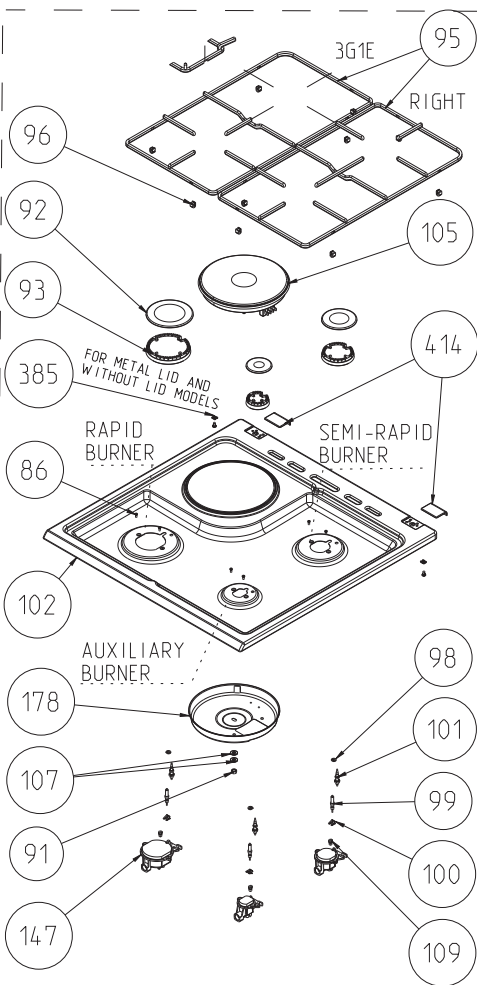
METAL LID OPTIONAL
(POSITION NO 153)



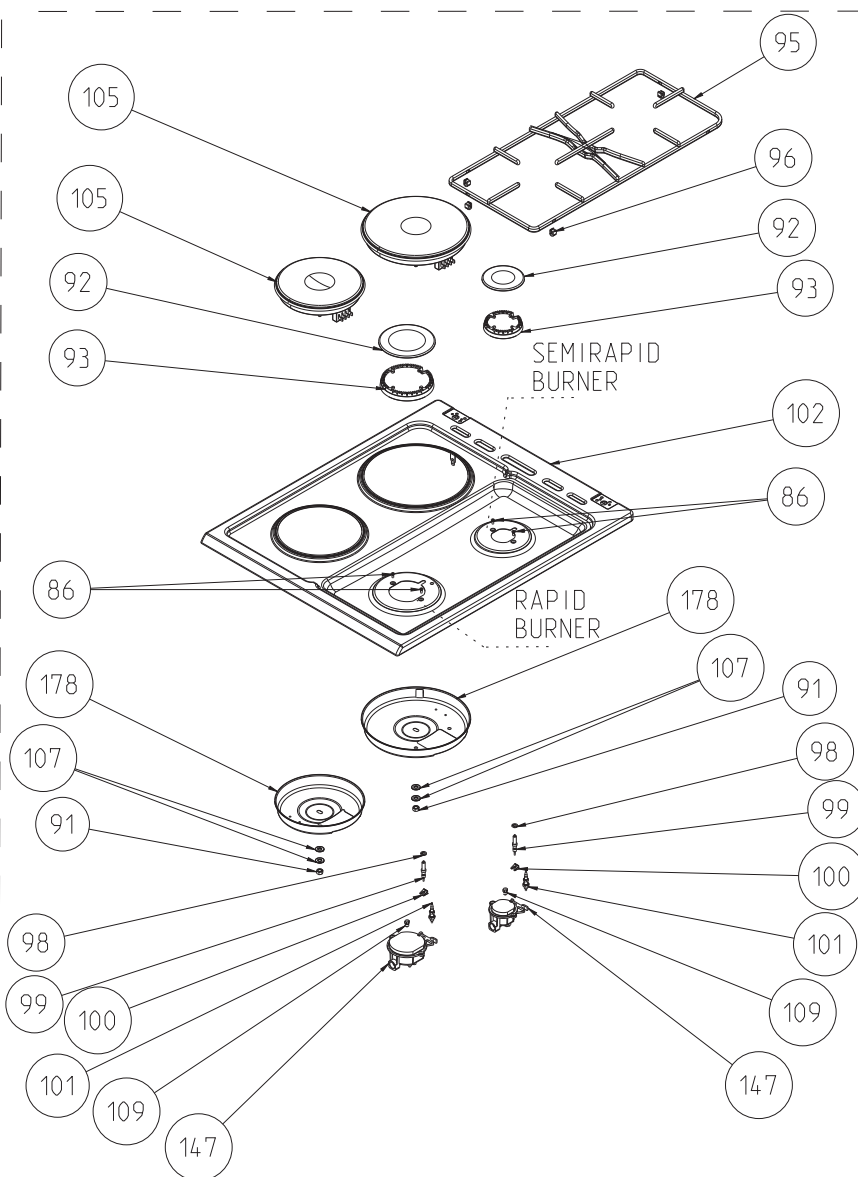
GLASS LID WITH BUMPER
OPTIONAL



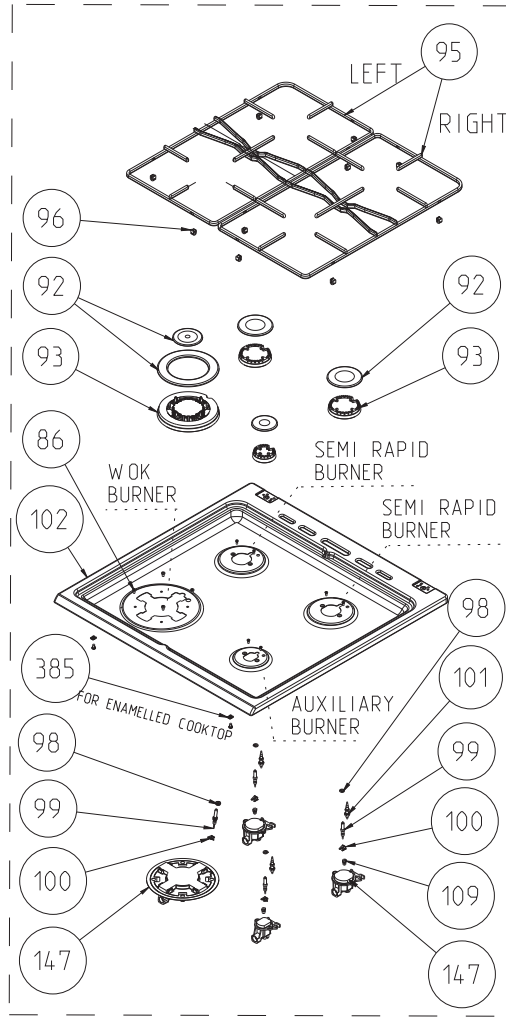
GLASS LID WITH SHORT PROFILE
(OPTIONAL)



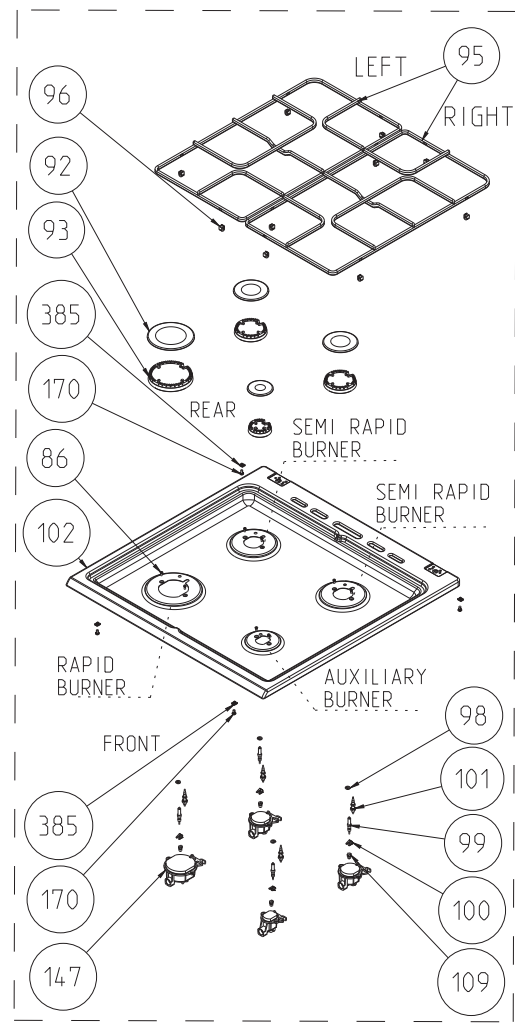
3 GAS + 1 ELECTRIC



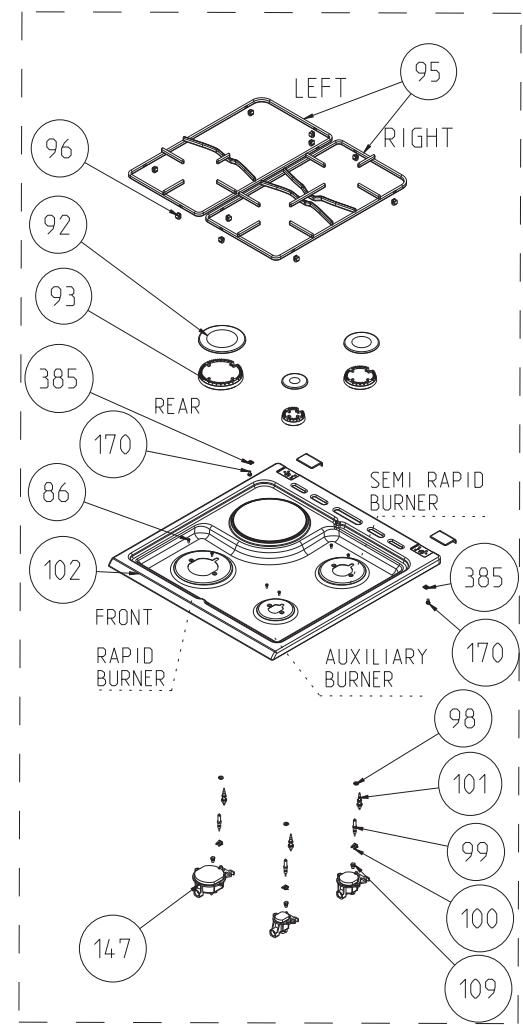
2 GAS + 2 ELECTRIC



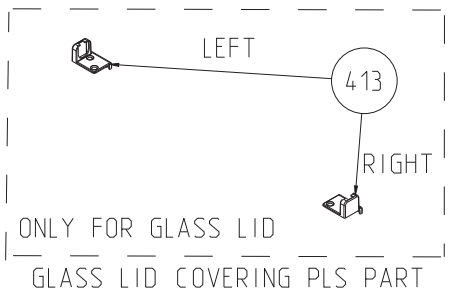
3 GAS+ 1 WOK BURNER



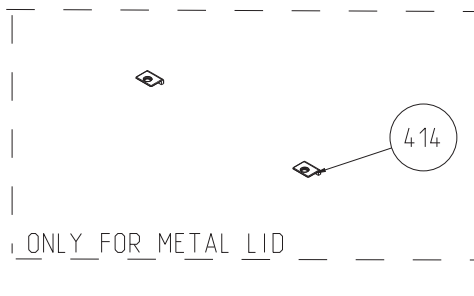
4 GAS



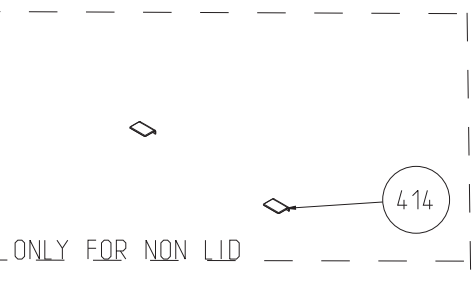
3 GAS



ONLY FOR GLASS LID
GLASS LID COVERING PLS PART



ONLY FOR METAL LID



ONLY FOR NON LID

COOKTOP COVERING PLS PART

COOKTOP ASSEMBLY PARTS

POSITION NUMBER	PART NAME
86	SCREW (M3*8, LENTIL HEAD)
87	GLASS LID ASSEMBLY
88	GLASS LID HINGE (RIGHT / LEFT)
91	NUT (M6)
92	BURNER CAP
93	BURNER HEAD
95	PAN SUPPORT
96	PAN SUPPORT BUMPER
98	SPARK PLUG GASKET
99	SPARK PLUG WITH CABLE
100	SPARK PLUG SEGMENT
101	THERMOCOUPLE(COAXIAL TYPE)
102	COOKTOP
104	GLASS LID BUMPER
105	HOTPLATE
107	WASHER
109	INJECTOR (RAPID/AUXILIARY/SEMI-RAPID BURNER)
140	METAL LID
154	METAL LID HINGE TOP PART
155	METAL LID HINGE BOTTOM PART
156	METAL LID HINGE
157	METAL LID HINGE TOP COUNTERPART
159	METAL LID BUMPER
178	HOTPLATE HOUSING
240	SILICONE WASHER WHITE
333	GLASS LID BACK PROFILE CAP
385	COOKTOP FIXING CLIP (FOR METAL LID MODELS& FOR MODELS W/O LID - AT BACK, FOR ALL ENAMELED MODEL-AT FRONT)
413	GLASS LID COVERING PLS PART (RIGHT / LEFT)
414	COOKTOP COVERING PLS PART
450	GLASS LID HINGE COUNTERPART

“The exploded views given in this document are generic. They include all possible versions of the product.

For specific part codes, please refer to the bom list of regarding model.”