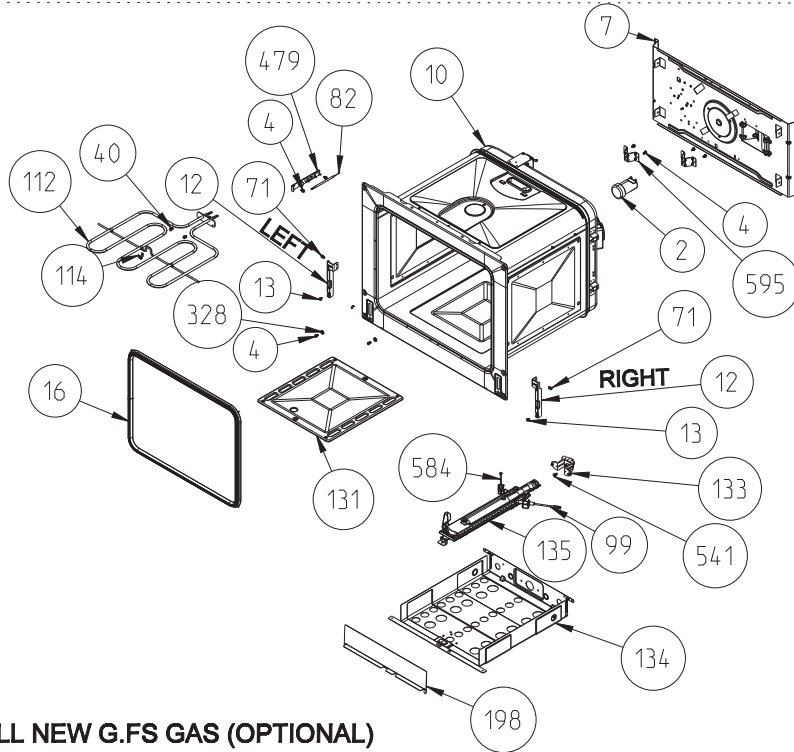
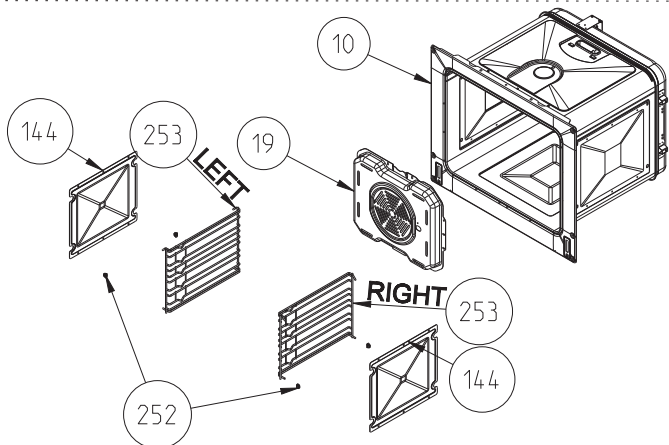


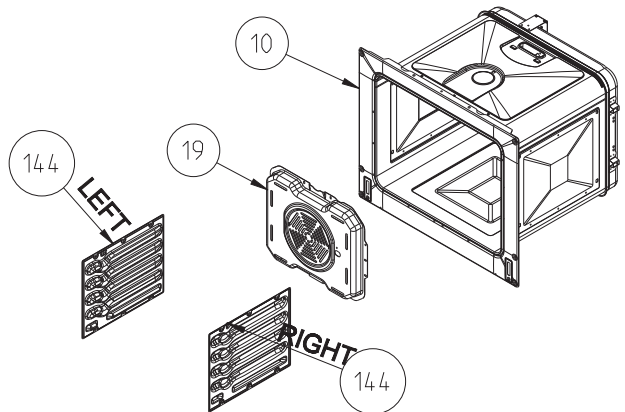
NEW G.FS GAS (OPTIONAL)



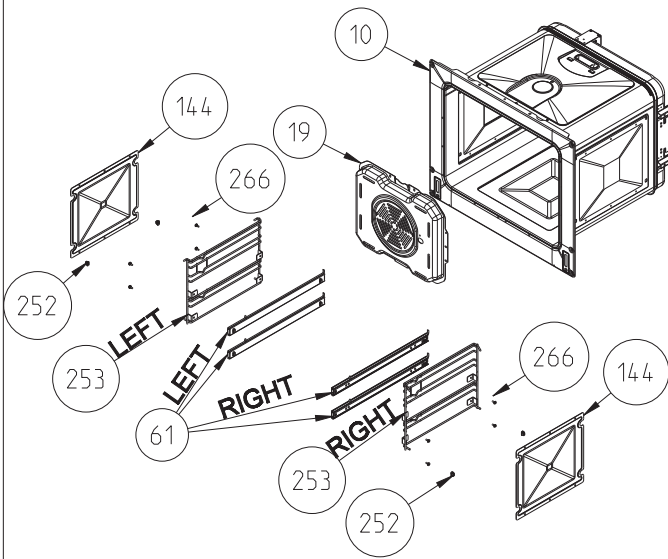
ONLY FOR ELECTRIC GRILL NEW G.FS GAS (OPTIONAL)



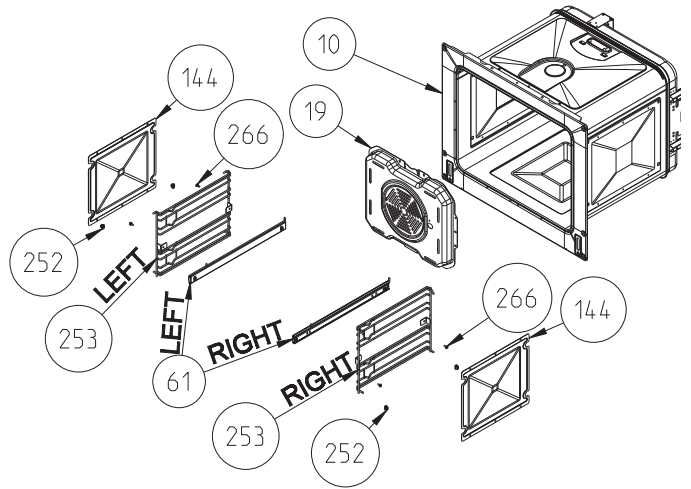
**WIRE SHELF CAVITY ASSEMBLY
WITH/ WITHOUT CATALYTIC PANEL (OPTIONAL)**



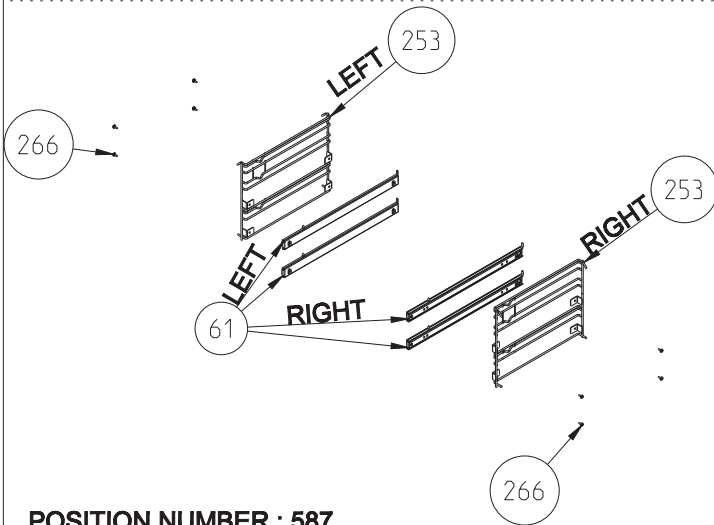
CAVITY ASSEMBLY WITH CATALYTIC SHELF (OPTIONAL)



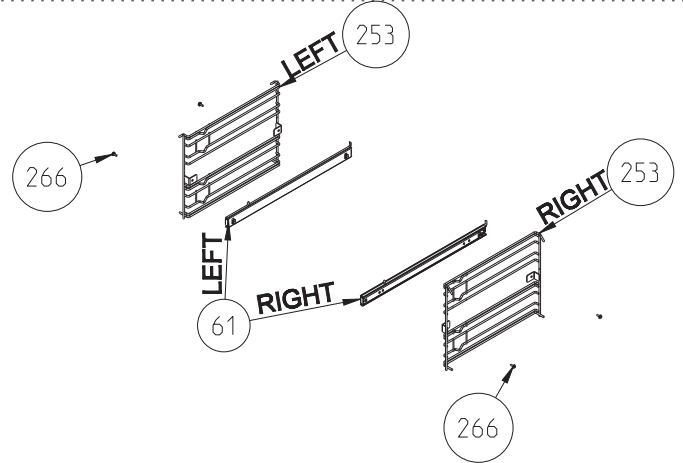
**WIRE SHELF CAVITY ASSEMBLY
WITH/ WITHOUT CATALYTIC PANEL
OPTIONAL:DOUBLE TELESCOPIC RAIL (R / L)**



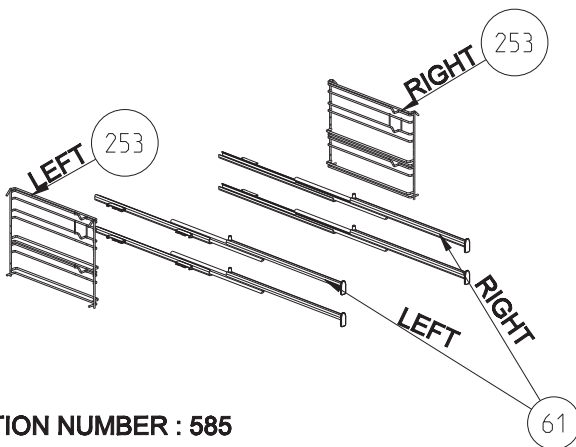
**WIRE SHELF CAVITY ASSEMBLY
WITH/ WITHOUT CATALYTIC PANEL
OPTIONAL:TELESCOPIC RAIL (R / L)**



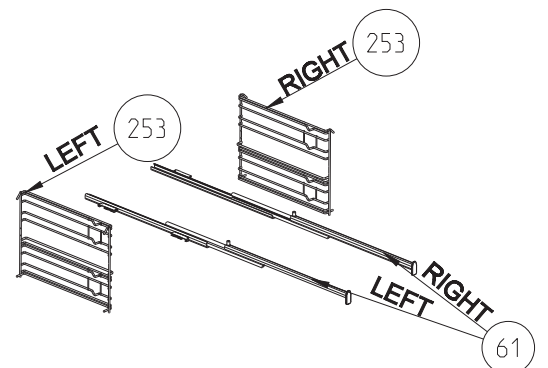
**POSITION NUMBER : 587
WIRE SHELF (SINGLE EXTENSION)
OPTIONAL:DOUBLE TELESCOPIC RAIL (R / L) GROUP**



**POSITION NUMBER :588
WIRE SHELF (SINGLE EXTENSION)
OPTIONAL: SINGLE TELESCOPIC RAIL (R / L) GROUP**



**POSITION NUMBER : 585
WIRE SHELF (FULL EXTENSION)
OPTIONAL:DOUBLE TELESCOPIC RAIL (R / L) GROUP**



**POSITION NUMBER: 586
WIRE SHELF (FULL EXTENSION)
OPTIONAL: SINGLE TELESCOPIC RAIL (R / L) GROUP**

CAVITY ASSEMBLY SPARE PART LIST

POSITION NUMBER	PART NAME
2	OVEN LIGHT
4	SCREW (3.9*9.5)
7	REAR INSULATION COVER
10	CAVITY
12	HINGE COUNTERPART (LEFT /RIGHT)
13	SCREW (M4*8)
14	BOTTOM INSULATION COVER
15	TRAY (DEEP / SHALLOW)
16	OVEN DOOR GASKET
17	GRID (LOCKED ,W.TELESCOPIC RAIL)
18	THERMOSTAT BULB BRACKET
19	FAN COVER
40	SCREW (KNURLED,3.5*9.5)
61	TELESCOPIC RAIL (LEFT / RIGHT)
71	SCREW (KNURLED,3.9*6.5)
82	CAPILLARY THERMOSTAT
99	SPARK PLUG WITH CABLE (OVEN /GRILL BURNER)
106	DEEP TRAY GRID
112	TOP AND GRILL HEATING ELEMENT
114	TOP AND GRILL HEATING ELEMENT BULB BRACKET
115	TURNSPIT GRILL
116	TURNSPIT SKEWER
117	TURNSPIT MOTOR
119	INJECTOR HOLDER (OVEN / GRILL)
131	BURNER COVER
133	OVEN INJECTOR HOLDER
134	BURNER BOX
135	OVEN BURNER
136	GRILL BURNER
143	TURNSPIT HOUSE (ONLY CAN BE USED WITH (DEEP /SHALLOW)TRAY
144	CATALYTIC PANEL WITH WIRE SHELF (ENAMELLED)
	SHELF COVER (RIGHT/LEFT,CATALYTIC ENAMELLED)
173	SCREW (3.9*13)
174	TRAY GRID
198	BURNER BOX HEAT COVER
252	WIRE SHELF FIXING CLIP
253	WIRE SHELF (R/L)
263	GRILL PAN
264	GRILL PAN HANDLE
265	TRAY SET(SMALL , BLACK)

The exploded views given in this document are generic.They include all possible versions of the product. For specific part codes,please refer to the bom list of regarding model.

CAVITY ASSEMBLY PARTS

POSITION NUMBER	PART NAME
266	SCREW (M4*4T,STAINLESS)
328	WASHER (ENAMELLED,BLACK)
456	SHISH KEBAB ACCESSORY
479	THERMOSTAT BULB HOLDER (GAS)
524	BURNER DEFLECTOR
529	BURNER ASSEMBLY BRACKET
530	EYE SCREW (M5*12,AISI304)
537	OVEN BURNER
538	INJECTOR HOLDER (OVEN BURNER,55,NG)
540	TURNSPIT HANDLE
541	INJECTOR (OVEN/GRILL)
584	THERMOCOUPLE (OVEN/GRILL)
585	STRING SHELF GROUP (FULL EXTENSION)
586	STRING SHELF GROUP (FULL EXTENSION)
587	STRING SHELF GROUP (SINGLE EXTENSION)
588	STRING SHELF GROUP (SINGLE EXTENSION)
595	REAR ISOLATION COVER ASSEMBLY BRACKET

The exploded views given in this document are generic.They include all possible versions of the product.
For specific part codes,please refer to the bom list of regarding model.

19 07 2013