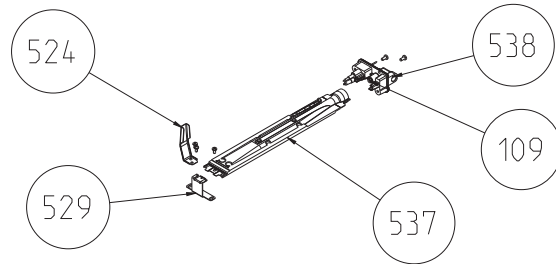
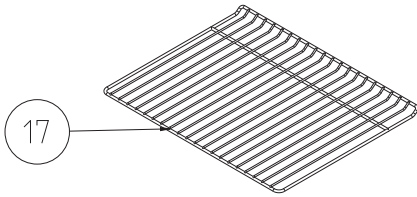


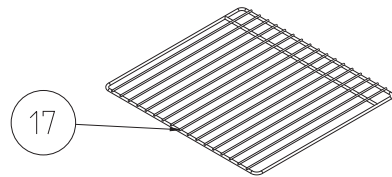
TOP AND GRILL HEATING ELEMENT
(OPTIONAL ONLY FOR
ELECTRIC GRILL NEW G.F.S GAS)



OVEN BURNER
(ONLY FOR NEW G.F.S GAS)



LOCKED



W. TELESCOPIC RAIL
GRID (OPTIONAL)



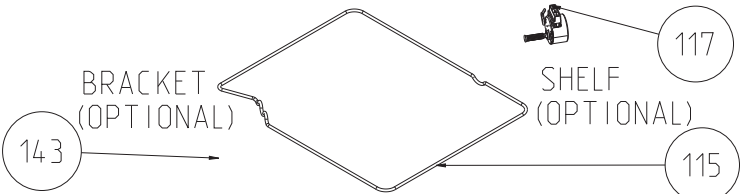
TURNSPIT HANDLE / SKEWER



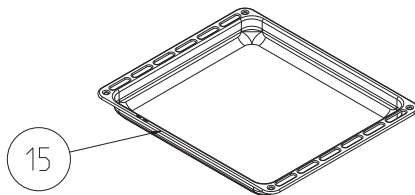
THERMIST BULB
HOLDER/BACKET



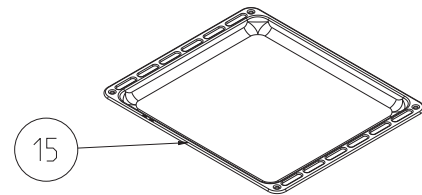
SHISH KEBAB
ACCESSORY (OPTIONAL)



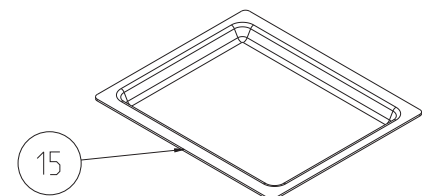
TURNSPIT (OPTIONAL)



DEEP

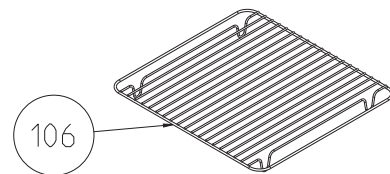


SHALLOW

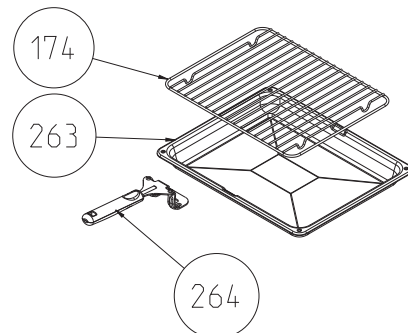


GLASS

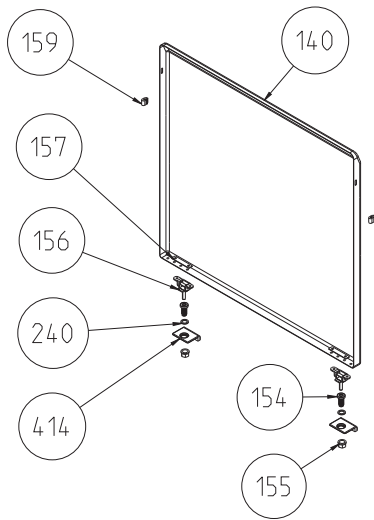
TRAYS (OPTIONAL)



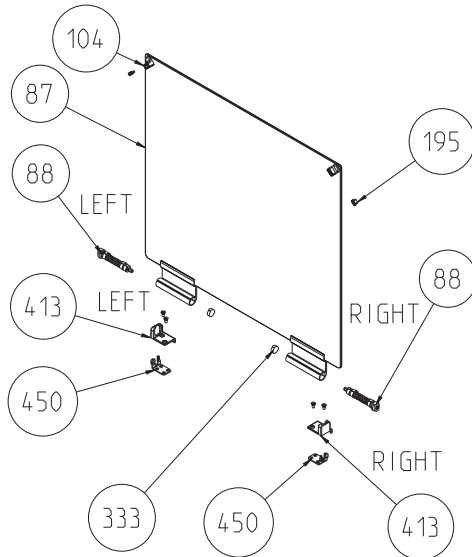
DEEP TRAY GRID (OPTIONAL)



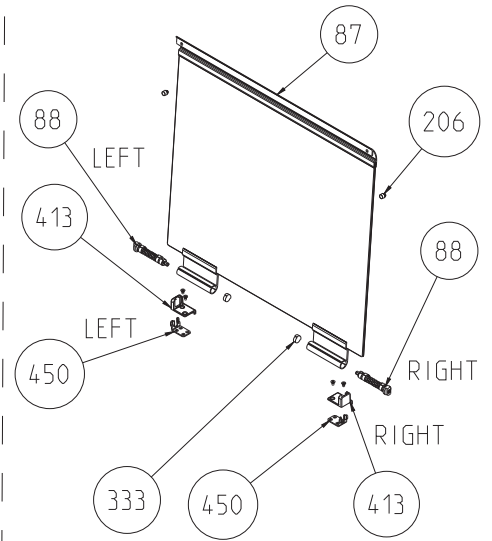
GRILL PAN AND HANDLE SET
(TRAY SET FOR GRILL) -
POSITION NO 265 (OPTIONAL)



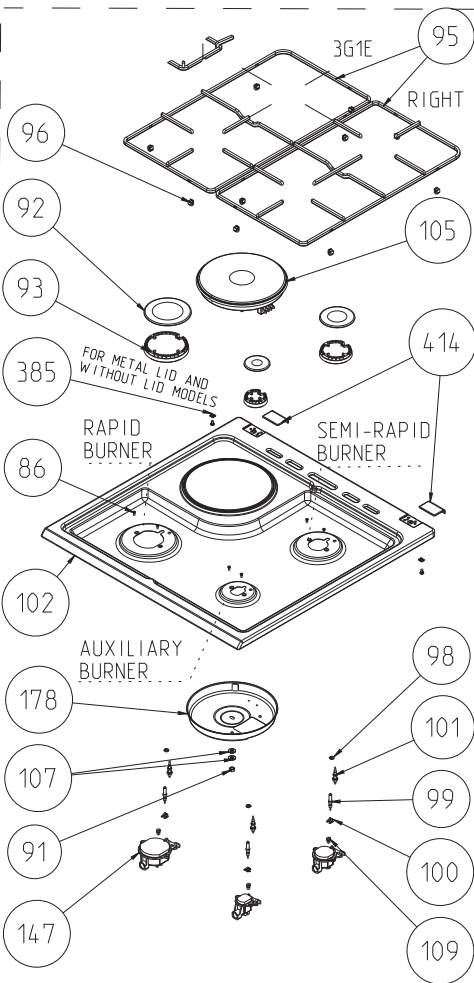
METAL LID OPTIONAL
(POSITION NO 153)



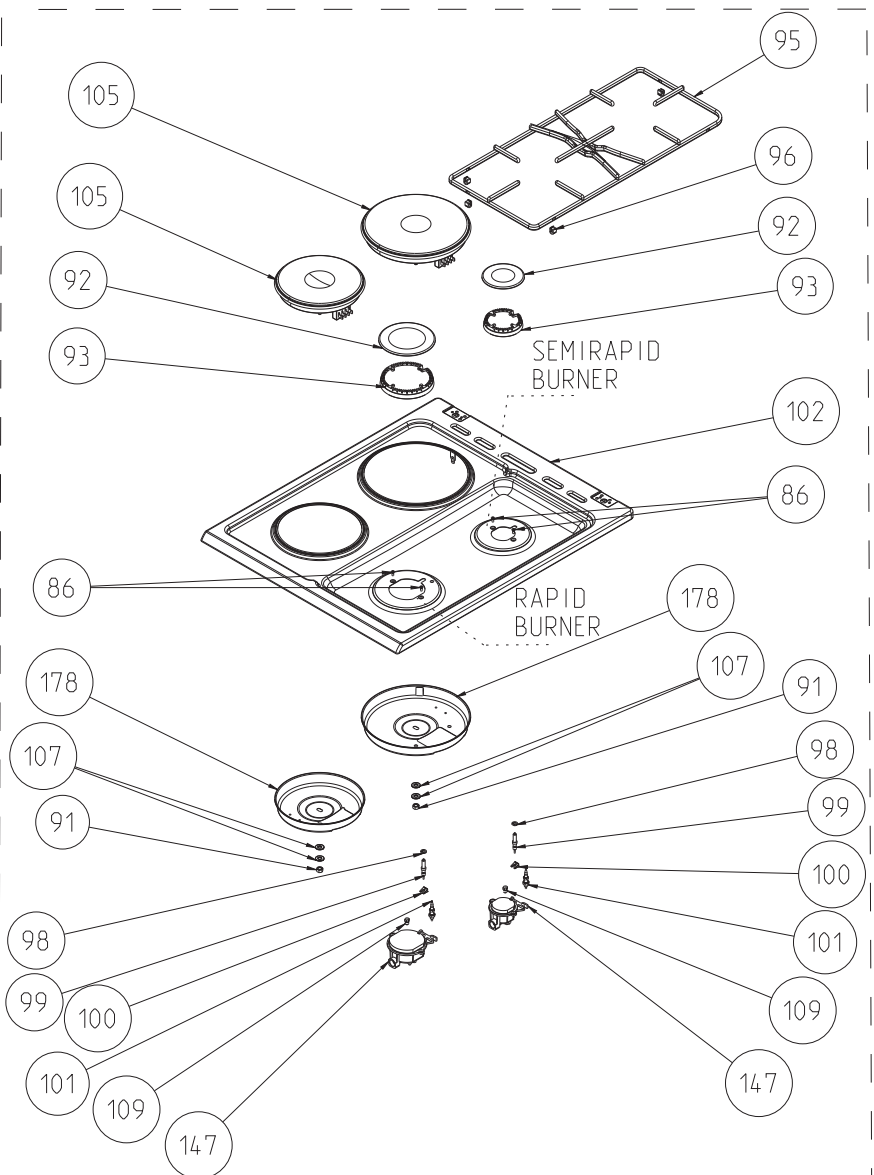
GLASS LID WITH BUMPER
OPTIONAL



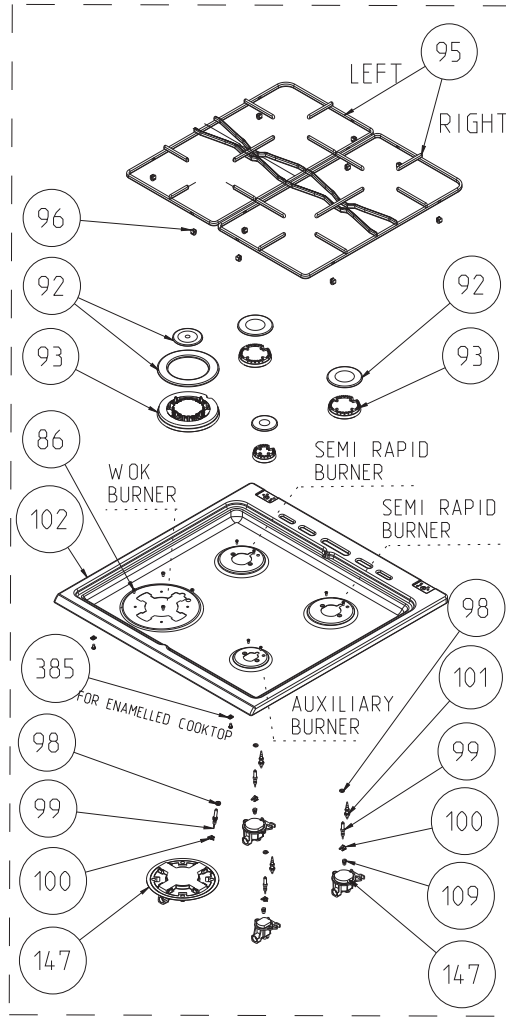
GLASS LID WITH SHORT PROFILE
(OPTIONAL)



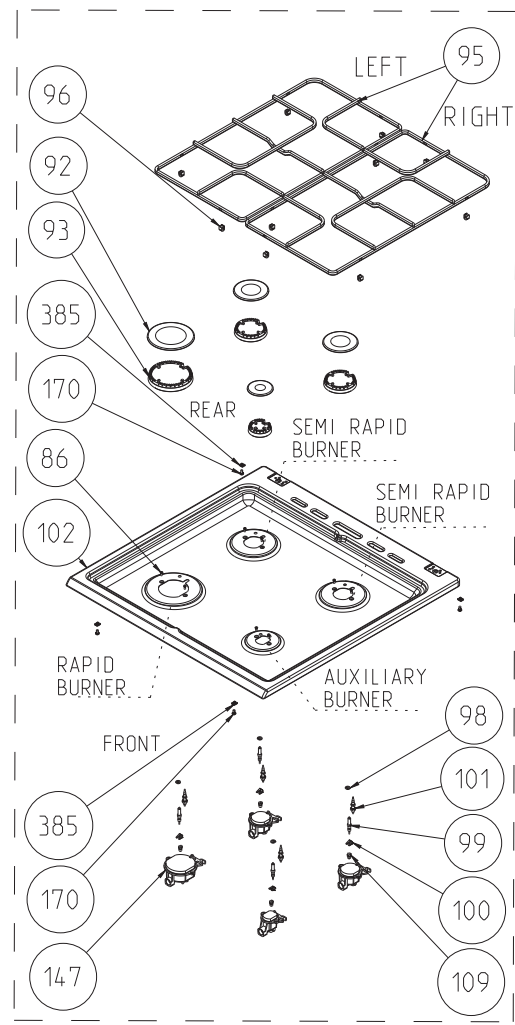
3 GAS + 1 ELECTRIC



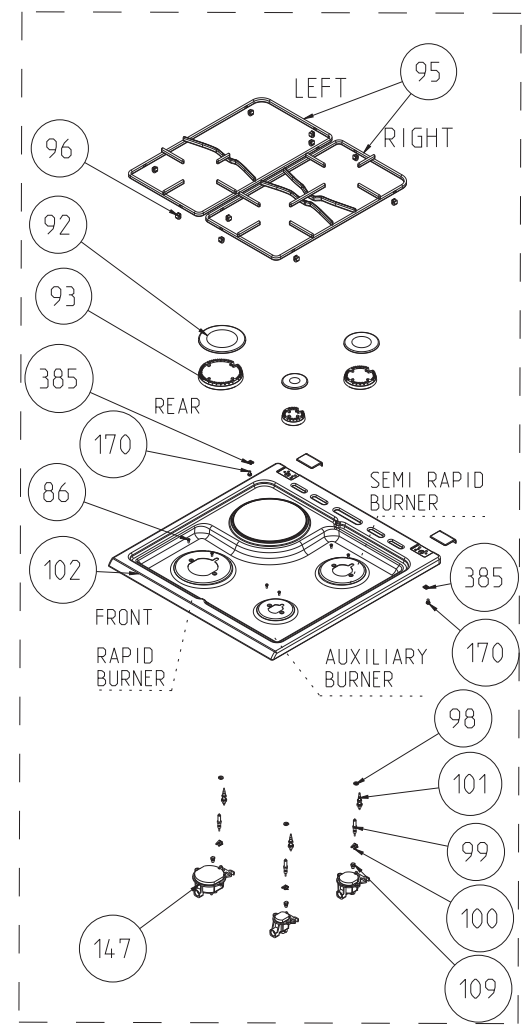
2 GAS + 2 ELECTRIC



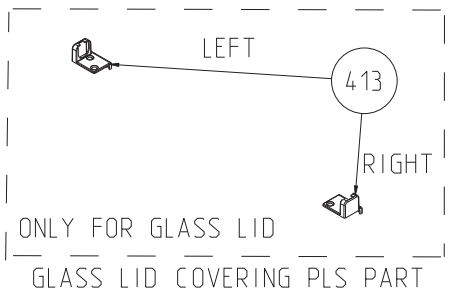
3 GAS+ 1 WOK BURNER



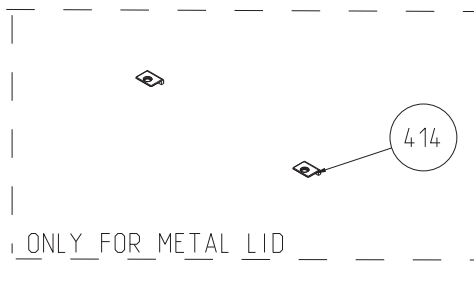
4 GAS



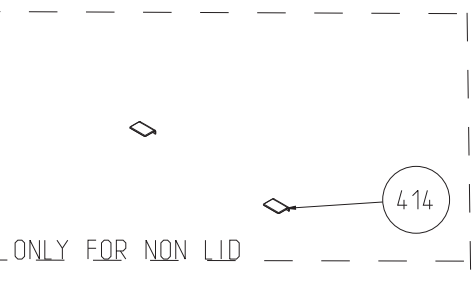
3 GAS



ONLY FOR GLASS LID
GLASS LID COVERING PLS PART



ONLY FOR METAL LID



ONLY FOR NON LID

COOKTOP COVERING PLS PART

COOKTOP ASSEMBLY PARTS

POSITION NUMBER	PART NAME
86	SCREW (M3*8, LENTIL HEAD)
87	GLASS LID ASSEMBLY
88	GLASS LID HINGE (RIGHT / LEFT)
91	NUT (M6)
92	BURNER CAP
93	BURNER HEAD
95	PAN SUPPORT
96	PAN SUPPORT BUMPER
98	SPARK PLUG GASKET
99	SPARK PLUG WITH CABLE
100	SPARK PLUG SEGMENT
101	THERMOCOUPLE(COAXIAL TYPE)
102	COOKTOP
104	GLASS LID BUMPER
105	HOTPLATE
107	WASHER
109	INJECTOR (RAPID/AUXILIARY/SEMI-RAPID BURNER)
140	METAL LID
154	METAL LID HINGE TOP PART
155	METAL LID HINGE BOTTOM PART
156	METAL LID HINGE
157	METAL LID HINGE TOP COUNTERPART
159	METAL LID BUMPER
178	HOTPLATE HOUSING
240	SILICONE WASHER WHITE
333	GLASS LID BACK PROFILE CAP
385	COOKTOP FIXING CLIP (FOR METAL LID MODELS& FOR MODELS W/O LID - AT BACK, FOR ALL ENAMELED MODEL-AT FRONT)
413	GLASS LID COVERING PLS PART (RIGHT / LEFT)
414	COOKTOP COVERING PLS PART
450	GLASS LID HINGE COUNTERPART

“The exploded views given in this document are generic. They include all possible versions of the product.

For specific part codes, please refer to the bom list of regarding model.”