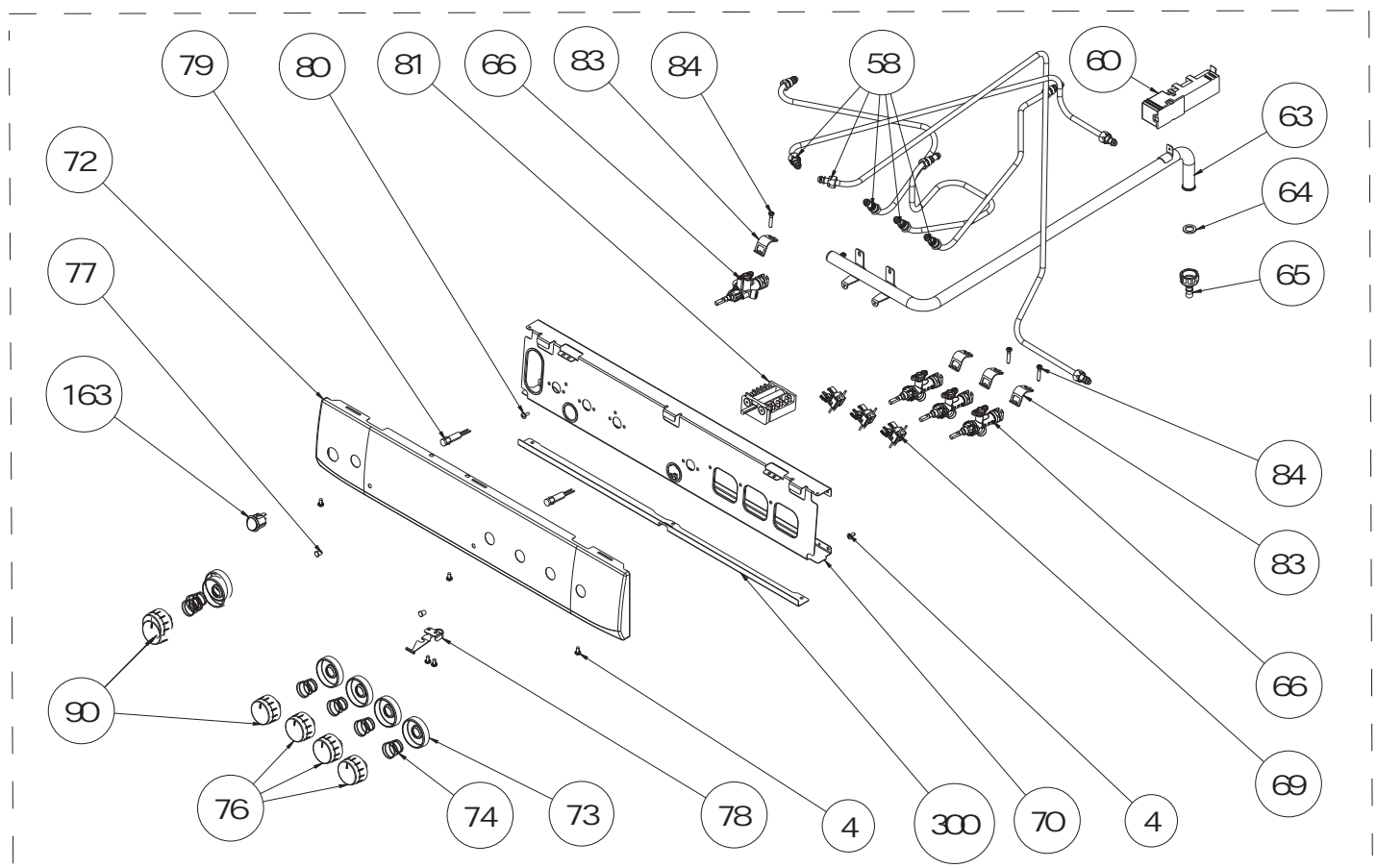
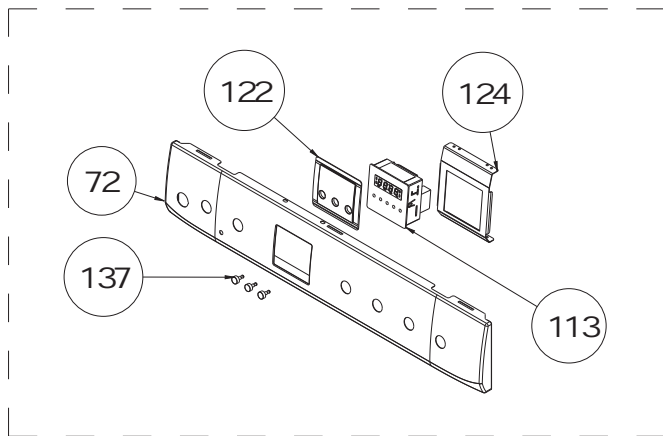


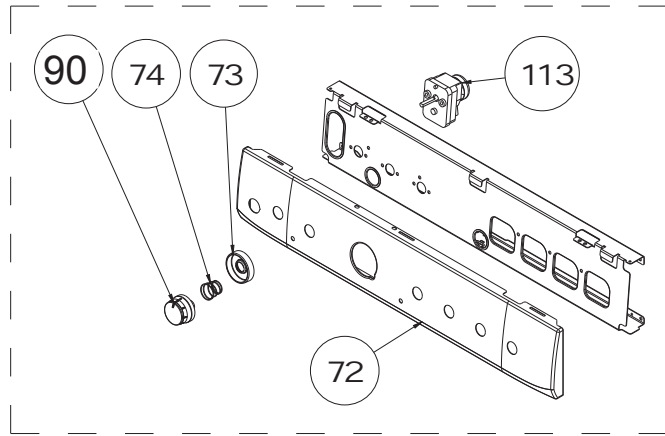
3D-51GAS - NO TIMER CONTROL PANEL ASSEMBLY



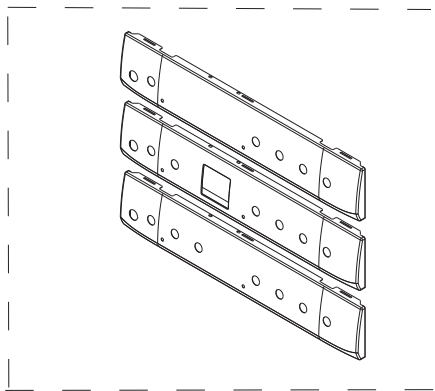
3D-3GAS+1ELECTRIC - NO TIMER CONTROL PANEL ASSEMBLY



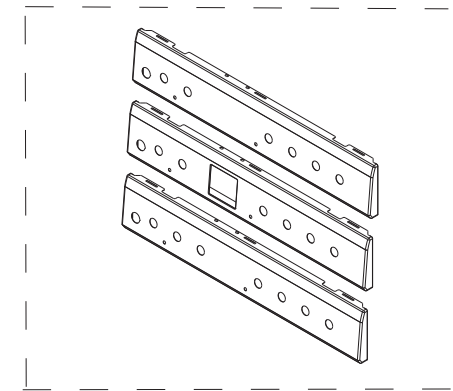
DIGITAL TIMER (OPTIONAL)



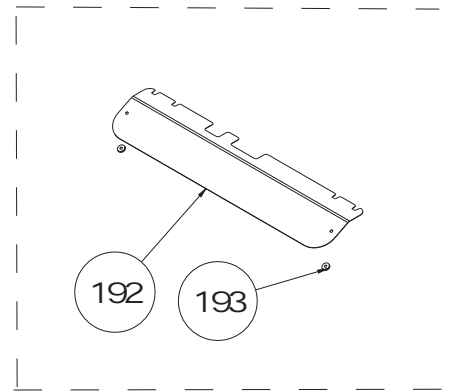
MECHANIC TIMER (OPTIONAL)



3D METAL CONTROL PANELS (OPTIONAL)



FLAT METAL CONTROL PANELS (OPTIONAL)



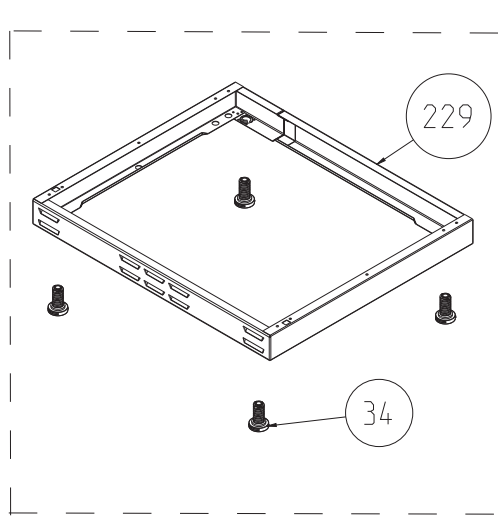
GRILL HEAT COVER (OPTIONAL)

C O N T R O L P A N E L A S S E M B L Y P A R T S

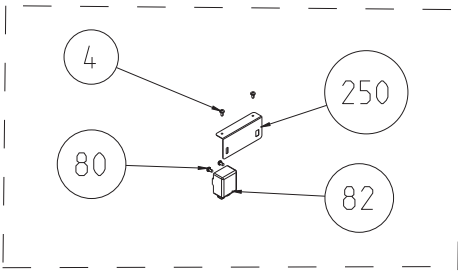
POSITION NUMBER	PART NAME
4	SCREW (3.9*9.5)
58	GAS DELIVERY TUBE
60	IGNITOR (4 OUTLET)
63	MANIFOLD
64	STRAIGHT HOSE FITTING GASKET
65	HOSE FITTING (NG)
66	GAS VALVE (HOB / OVEN*)
69	MICROSWITCH HARNESS
70	INNER PANEL
72	FRONT PANEL GROUP (GLASS / METAL)
73	KNOB RING
74	KNOB SPRING
76	KNOB (GAS)
77	SIGNAL LAMP LENS
78	CHILD LOCK
79	SIGNAL LAMP BODY
80	SCREW (M 4*6)
81	FUNCTION SELECTOR SWITCH / HOTPLATE SWITCH
83	COOKTOP VALVE ASSEMBLY BRACKET
84	SCREW (M 4*18, HEAD Ø9)
90	KNOB - ELECTRICAL
113	TIMER (MECHANIC / DIGITAL / ANALOG)
122	TIMER LENS
124	TIMER HOLDER (DIGITAL / ANALOG)
137	TIMER BUTTON
163	OVEN LIGHT BUTTON
188	ENERGY REGULATOR
192	GRILL HEAT COVER
193	GRILL HEAT COVER WASHER
300	KNIFE BARRIER, SUBPANEL (NEW G)

*OVEN VALVES MIGHT BE THERMOSTATIC / NON-THERMOSTATIC. This is optional. Gas ovens do not have a separate thermostat.

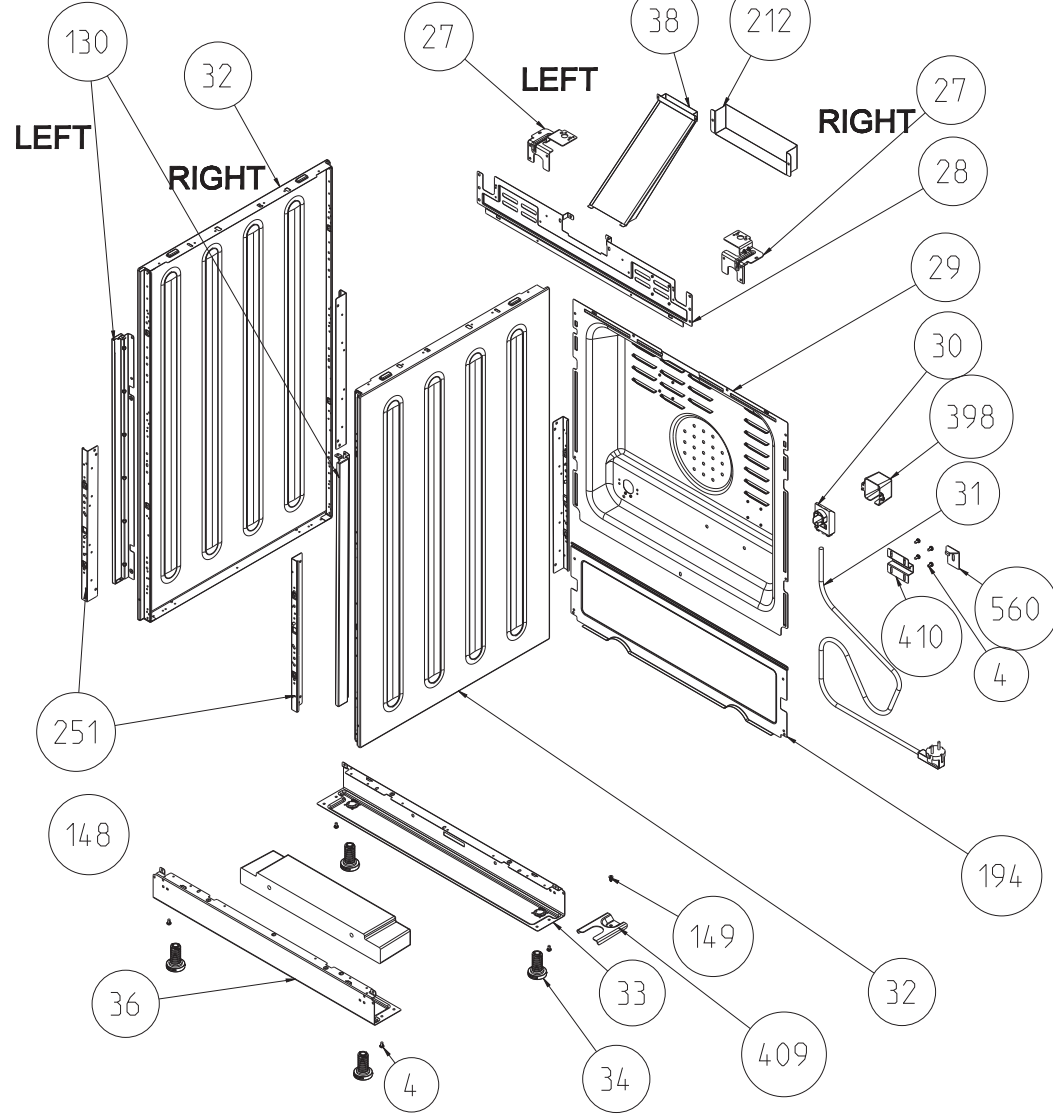
"The exploded views given in this document are generic. They include all possible versions of the product. For specific part codes, please refer to the bom list of regarding model."



**EXTRA BOTTOM SUPPORT
(WITH LOUVRES)**



**(OPTIONAL ONLY FOR
ELECTRIC GRILL FS GAS)**

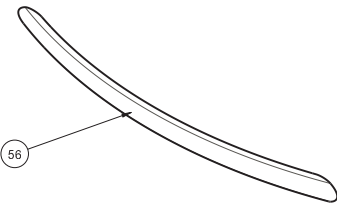


SIDE PANEL ASSEMBLY	
POSITION NUMBER	PART NAME
4	SCREW (3.9*9.5)
27	COOKTOP ANGLE IRON (LEFT / RIGHT)
28	REAR TOP PANEL
29	REAR PANEL
30	TERMINAL BOX
31	POWER CORD
32	SIDE PANEL
33	REAR PLINTH
34	ADJUSTABLE FOOT
36	FRONT PLINTH
38	EXHAUST (56/66)
80	SCREW (KNURLED, M4*6)
82	CAPILLARY THERMOSTAT
130	SIDE CLOSING PROFILE (FOR FLAT OVEN DOOR WITH FULL GLASS)
148	CONCRETE WEIGHT
149	SCREW (CIRCULAR-HEAD, 4.8*32)
194	REAR BOTTOM LID (OPTIONAL)
212	EXHAUST PROTECTION COVER (NEW G.)
229	EXTRA BOTTOM SUPPORT (ONLY FOR 90CM)
250	GAS-ON-GLASS HOB IGNITOR HOLDER
251	SIDE PANEL SUPPORT BRACKET
398	TERMINAL BOX COVER PLASTIC (66,56,GAS)
409	ANTI-TIP BRACKET (GROUND TYPE)
410	ANTI-TIP BRACKET HOLDER (WALL TYPE)
560	ANTI-TIP BRACKET (WALL TYPE)

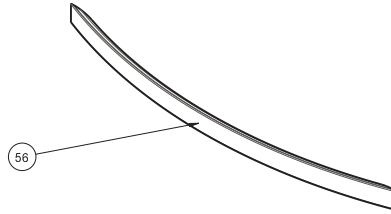
"The exploded views given in this document are generic. They include all possible versions of the product. For specific part codes, please refer to the bom list of regarding model."

OVEN DOOR HANDLES (OPTIONAL)

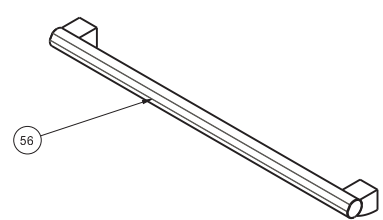
HANDLES WITHOUT TAP & BRACKET



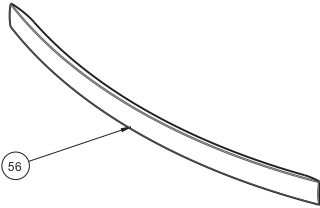
ELLIPSE ARC



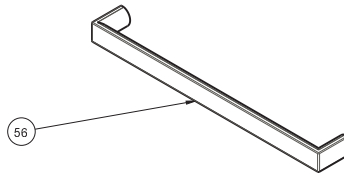
D PROFILE ARC



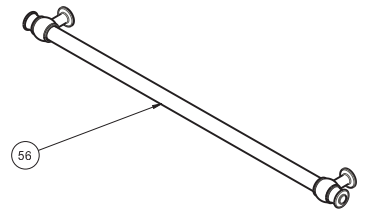
METALUX



D PROFILE ARC ELECTROLUX
(ONLY FOR FS - OPTIONAL)

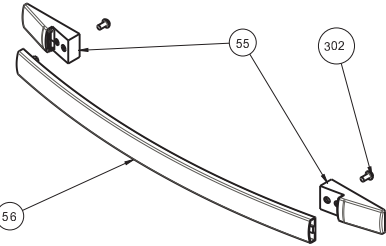


FNP
(ONLY FOR BUILT-IN - OPTIONAL)

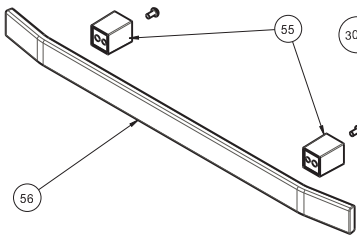


RUSTIC

HANDLES WITH BRACKET

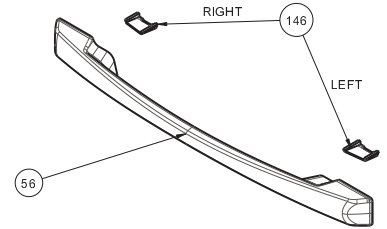


ARC QUADRANGLE



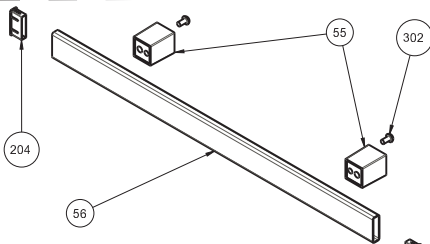
3D QUADRANGLE
(ONLY FOR FS/ NEW G/ BUILT-IN - OPTIONAL)

HANDLES WITH TUNNEL TAP

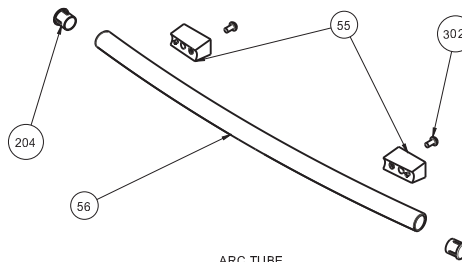


NO FAN TYPE
(ONLY FOR BUILT-IN - OPTIONAL)

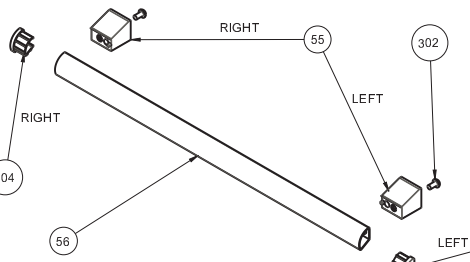
HANDLES WITH TAP & BRACKET



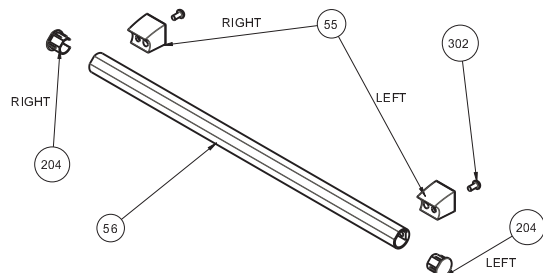
FLAT QUADRANGLE
(ONLY FOR FS/ NEW G/ BUILT-IN - OPTIONAL)



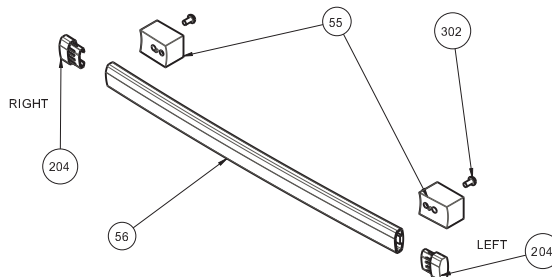
ARC TUBE



FLAT SLICE

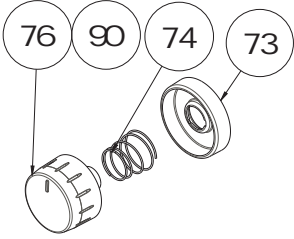


TRIO

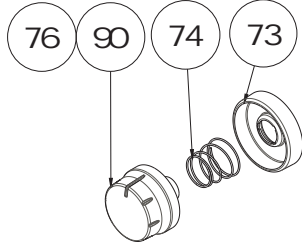


CURVED QUADRANGLE

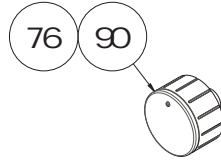
KNOBS (ONLY FOR NEWG - OPTIONAL)



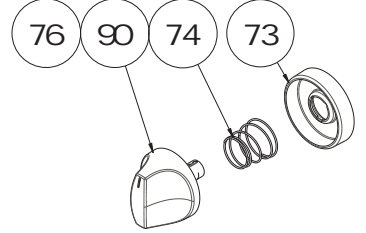
OMEGA



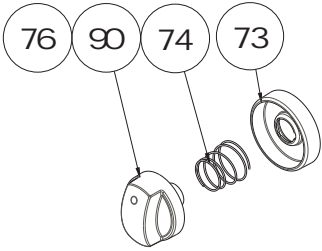
EPSILON



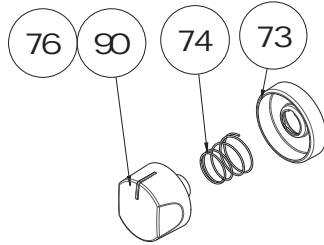
BIG MACRO
(ONLY FOR NEWG ELECTRIC/
NEWG VITROCERAMC - OPTIONAL)



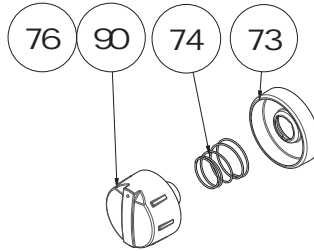
GAMA RING



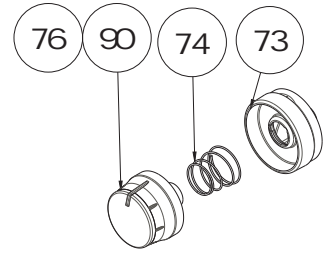
ECLIPSE RING



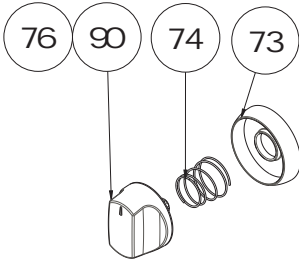
RIND



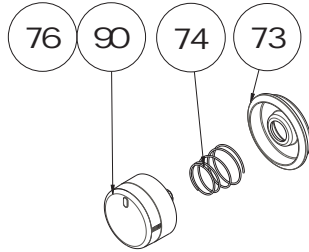
ANTERO



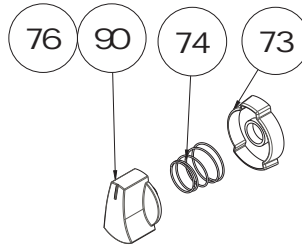
SPECTRUM



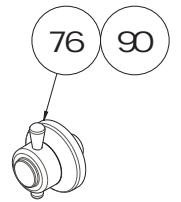
TRIO



SIGMA



DELTA RING



RUSTIC RISUS