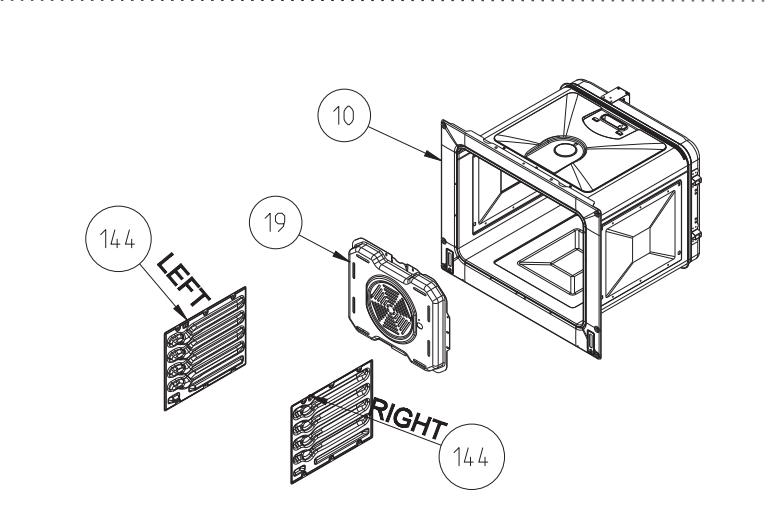
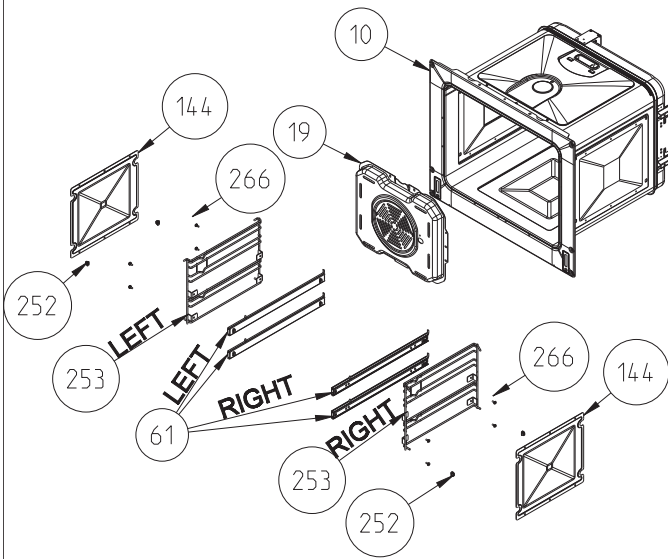


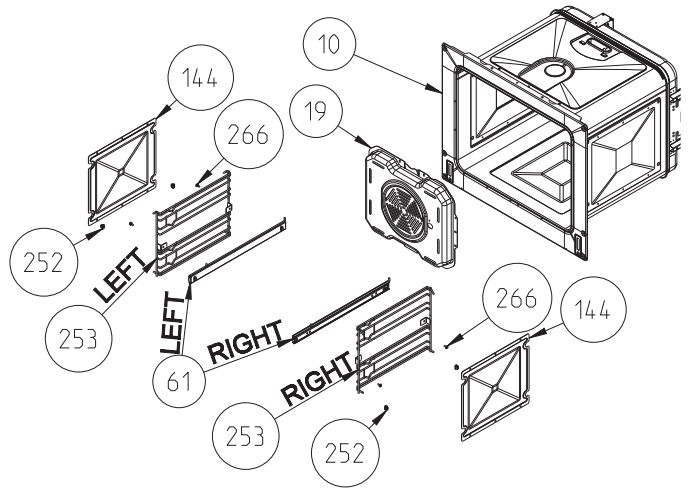
**WIRE SHELF CAVITY ASSEMBLY WITH/WITHOUT CATALYTIC PANEL (OPTIONAL)**



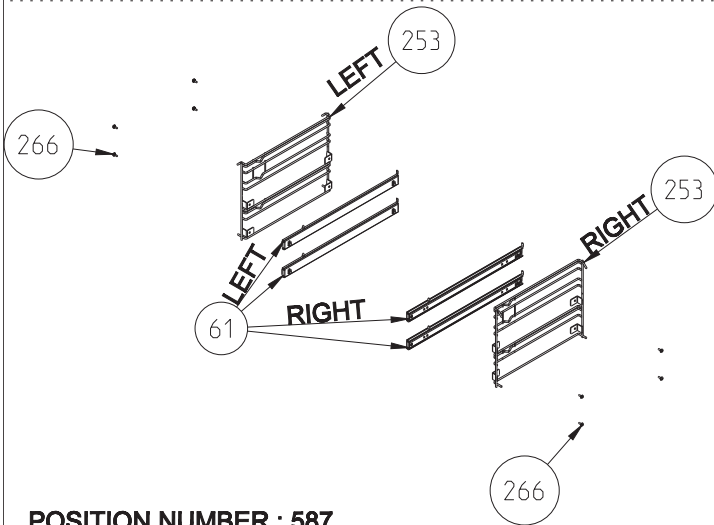
**CAVITY ASSEMBLY WITH CATALYTIC SHELF (OPTIONAL)**



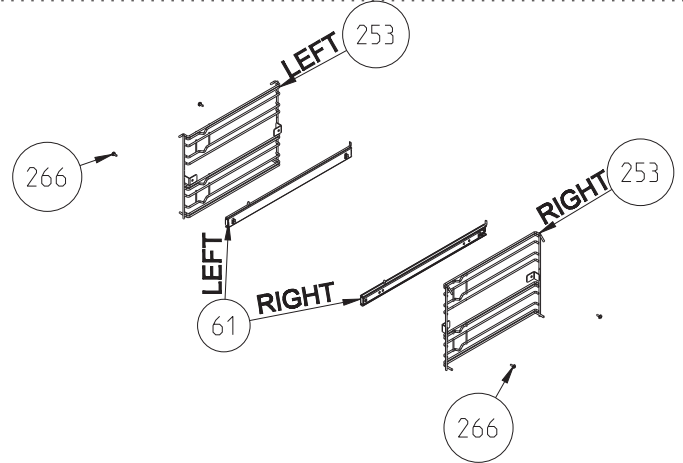
**WIRE SHELF CAVITY ASSEMBLY  
WITH/ WITHOUT CATALYTIC PANEL  
OPTIONAL:DOUBLE TELESCOPIC RAIL (R / L)**



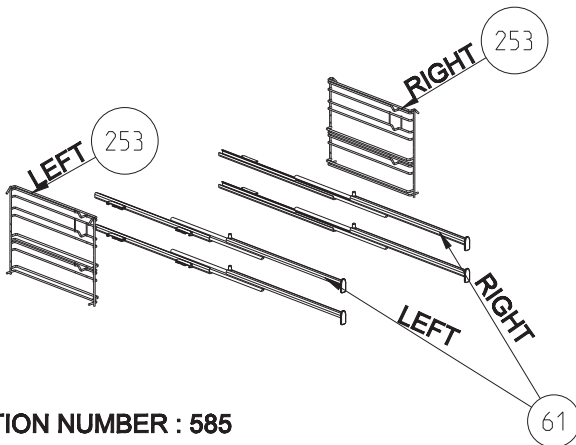
**WIRE SHELF CAVITY ASSEMBLY  
WITH/ WITHOUT CATALYTIC PANEL  
OPTIONAL:TELESCOPIC RAIL (R / L)**



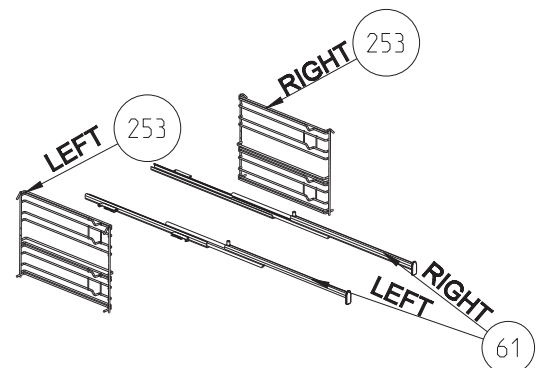
**POSITION NUMBER : 587  
WIRE SHELF (SINGLE EXTENSION)  
OPTIONAL:DOUBLE TELESCOPIC RAIL (R / L) GROUP**



**POSITION NUMBER :588  
WIRE SHELF (SINGLE EXTENSION)  
OPTIONAL: SINGLE TELESCOPIC RAIL (R / L) GROUP**



**POSITION NUMBER : 585  
WIRE SHELF (FULL EXTENSION)  
OPTIONAL:DOUBLE TELESCOPIC RAIL (R / L) GROUP**



**POSITION NUMBER: 586  
WIRE SHELF (FULL EXTENSION)  
OPTIONAL: SINGLE TELESCOPIC RAIL (R / L) GROUP**

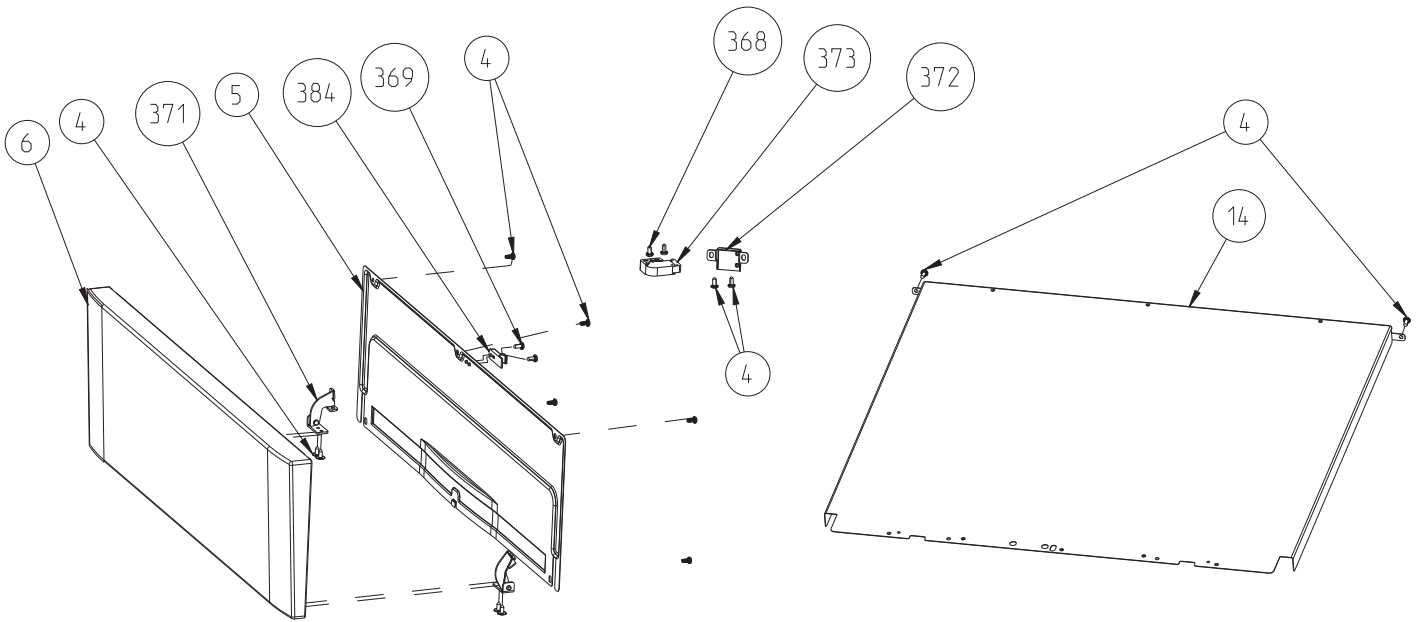
CAVITY ASSEMBLY PARTS	
POSITION NUMBER	PART NAME
2	OVEN LIGHT
4	SCREW (3.9*9.5)
7	REAR INSULATION COVER
9	FAN MOTIOR
10	CAVITY
12	HINGE COUNTERPART (LEFT / RIGHT)
13	SCREW (M4*8)
14	BOTTOM INSULATION COVER
15	TRAY (DEEP / SHALLOW / GLASS)
16	OVERN DOOR GASKET
17	GRID (LOCKED ,W.TELESCOPIC RAIL)
18	THERMOSTAT BULB BRACKET
19	FAN COVER (NO TRUNSPIT,BLACK)
20	RING TUBULAR HEATING ELEMENT
21	FAN IMPELLER( 6 WINGS)
40	SCREW (KNURLED,3.5*9.5)
61	TELESCOPIC RAIL (RIGHT /LEFT)
71	SCREW (KNURLED,3.9*6.5)
80	SCREW (KNURLED,M4*6)
82	CAPILLARY THERMOSTAT
106	DEEP TRAY GRID
110	BOTTOM HEATING ELEMENT
111	BOTTOM HEATING ELEMENT HOLDER
112	TOP AND GRILL HEATING ELEMENT
114	TOP AND HEATING ELEMENT BULB BRACKET
115	TURNSPIT GRILL
116	TURNSPIT SKEWER
117	TURNSPIT MOTOR
119	TURNSPIT HOLE COVER
143	TRUNSPIT HOUSE (ONLY CAN BE USED WITH (DEEP/SHALLOW)TRAY)
144	CATALYTIC PANEL WITH WIRE SHELF (ENAMELLED)
	SHELF COVER (RIGHT / LEFT,CATALYTIC ENAMELLED)
173	SCREW (3.9*13)
174	TRAY GRID
252	WIRE SHELF FIXING CLIP
253	WIRE SHELF (RIGHT, LEFT)
263	GRILL PAN
264	GRILL PAN HANDLE
265	TRAY SET(SMALL,BLACK)
266	SCREW (M4*4T, STAINLESS)
328	WASHER (ENAMELLED,BLACK)
448	LIMIT THERMOSTAT NC 170° C / 200° C
454	LIMIT THERMOSTAT NC 125° C
456	SHISH KEBAB ACCESORY
479	THERMOSTAT BULB HOLDER(ELECTRIC)
515	ELECTRONIC THERMOSTAT(ELC)

The exploded views given in this doucment are generic.They include all possible versions of product.  
For specific part codes,please refer to the bom list of regarding model.

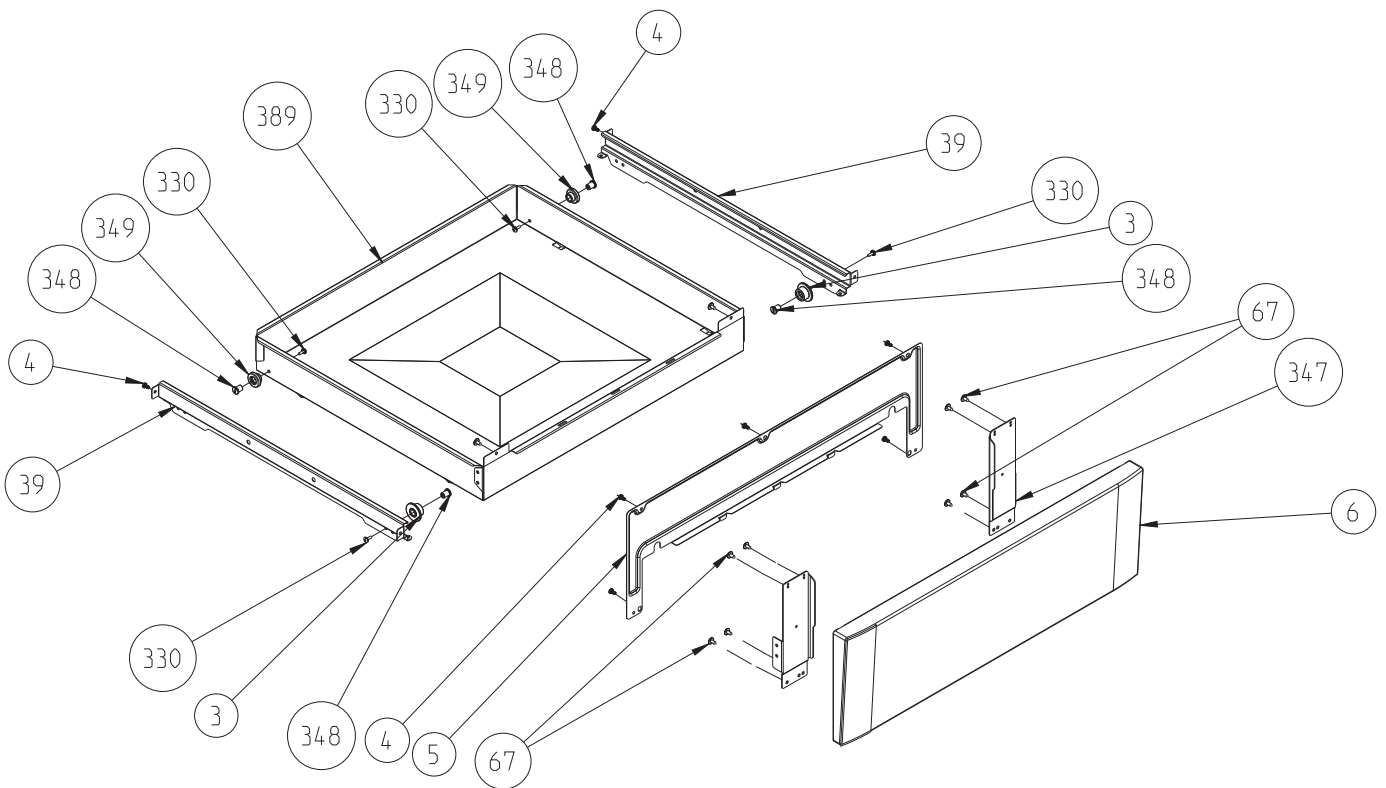
**CAVITY ASSEMBLY PARTS**

<b>POSITION NUMBER</b>	<b>PART NAME</b>
<b>530</b>	<b>EYE SCREW (M5*12,AISI304)</b>
<b>551</b>	<b>OVEN LAMP RESISTOR</b>
<b>585</b>	<b>STRING SHELF GROUP (FULL EXTENSION)</b>
<b>586</b>	<b>STRING SHELF GROUP (FULL EXTENSION)</b>
<b>587</b>	<b>STRING SHELF GROUP (SINGLE EXTENSION)</b>
<b>588</b>	<b>STRING SHELF GROUP (SINGLE EXTENSION)</b>
<b>595</b>	<b>REAR_ISOLATION COVER ASSEMBLY BRACKET</b>

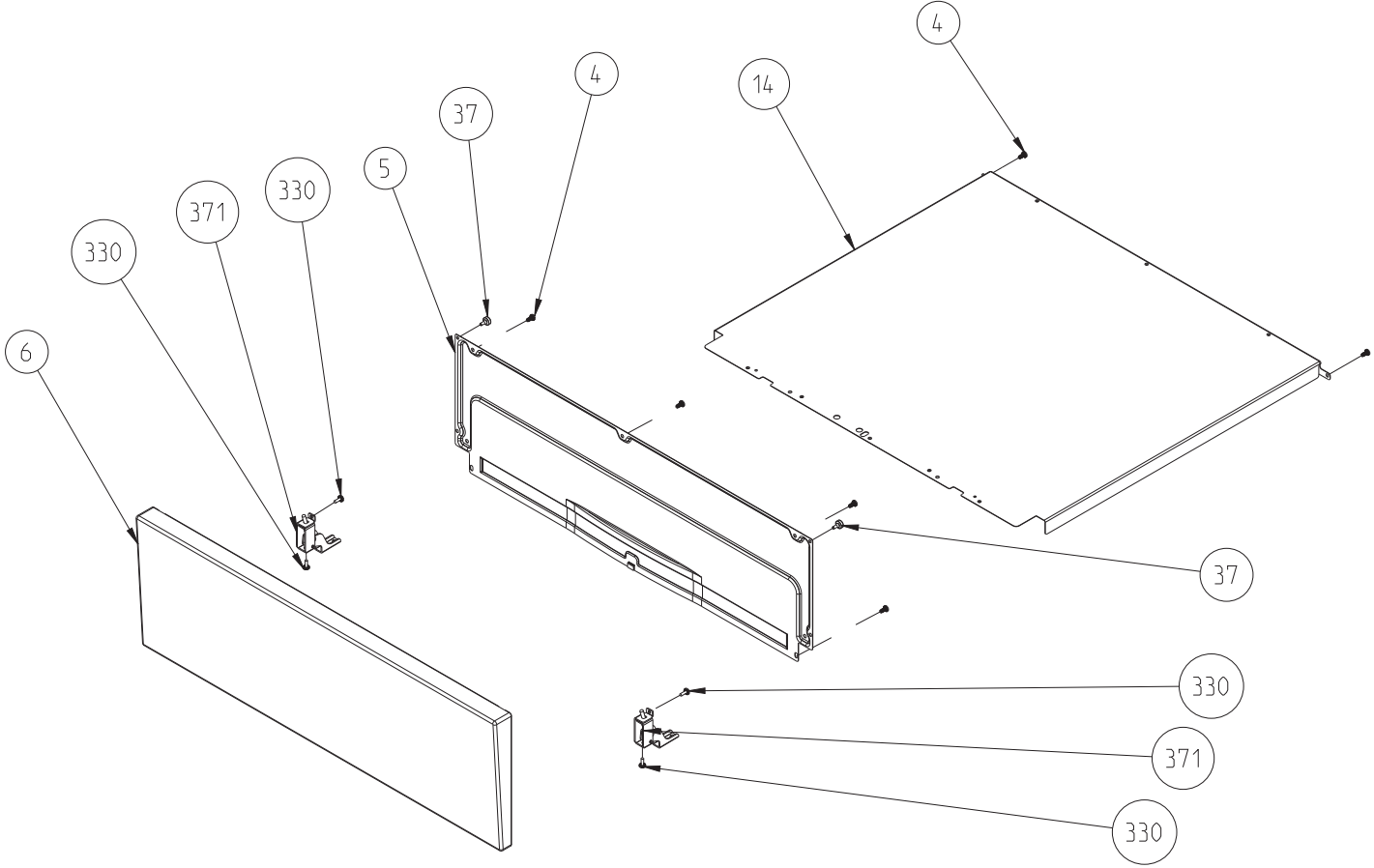
The exploded views given in this document are generic.They include all possible versions of the product.  
For specific part codes,please refer to the bom list of regarding model.



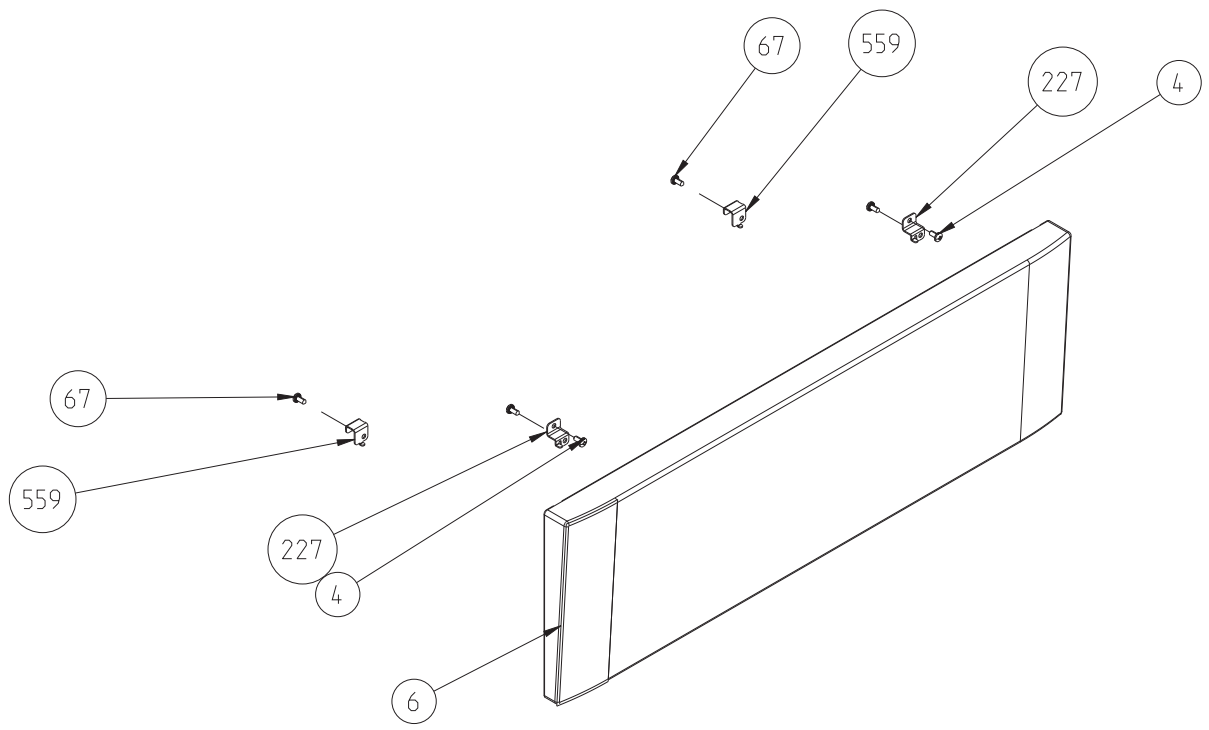
**PUSH-PULL FLAP DRAWER ASSEMBLY  
(OPTIONAL)**



**4WG DRAWER ASSEMBLY  
(OPTIONAL)**



**YNTB FLAP DRAWER ASSEMBLY**



**FIXED DRAWER ASSEMBLY  
(OPTIONAL)**

<b>POSITION NUMBER</b>	<b>DESCRIPTION</b>
3	WARMER DRAWER RAIL WHEEL
4	SCREW (CIRCULAR-HEAD, 3.9*9.5, BLACK)
5	WARMER DRAWER INNER COVER
6	WARMER DRAWER PANEL (60*60,3D)
14	BOTTOM INSULATION COVER (60*60)
37	DRAWER PANEL STOPPER
39	WARMER DRAWER RAIL
67	CHASSIS BRACKET CONTACT SCREW
227	FIXED DRAWER PANEL TOP BRACKET
330	SCREW (KNURLED,M4*4)
347	DRAWER WHEEL MILE (4 WG),RIGHT \ LEFT)
348	DRAWER WHEEL MILE (4WG)
349	DRAWER WHEEL (4 WG)
368	SCREW (KNURLED, 2.9*18)
369	SCREW (KNURLED, 2.9*8,BLACK)
371	FLAP DRAWER (HINGE / LEFT)
372	FLAP DRAWER LOCKING BRACKET
373	FLAP DRAWER LOCKING (MINI LATCH)
384	FLAP DRAWER LOCKING COUNTERPART(MINI LATCH)
389	DRAWER BOX
559	FIXED DRAWER PANEL BOTTOM BRACKET(NEW G)
<p>"The exploded views given in this document are generic.They include all possible versions of the product. For specific part codes, please refer to the bom list of regarding model."</p>	