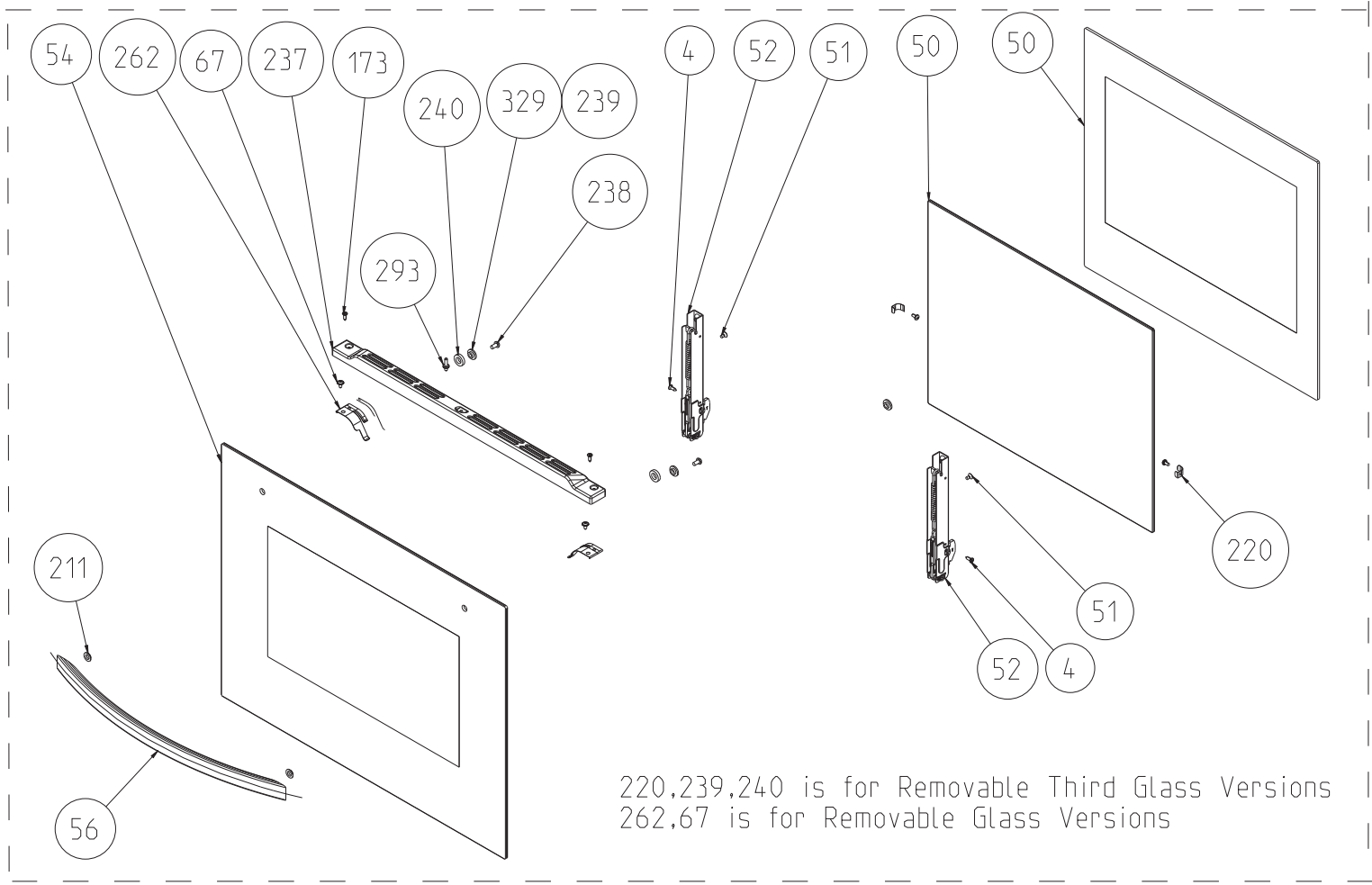
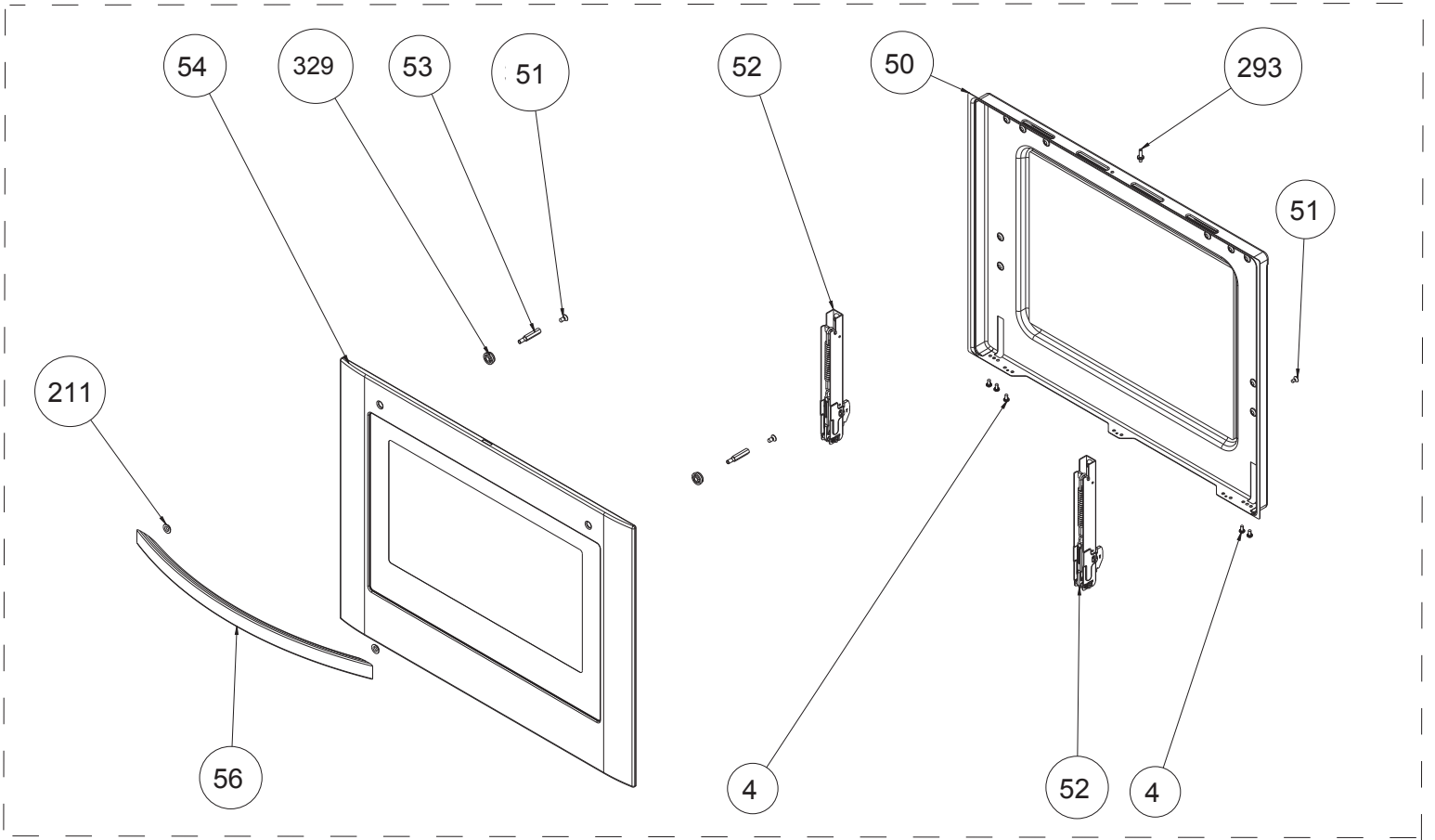


FLAT TYPE OVEN DOOR - POSITION NO 376 (OPTIONAL)

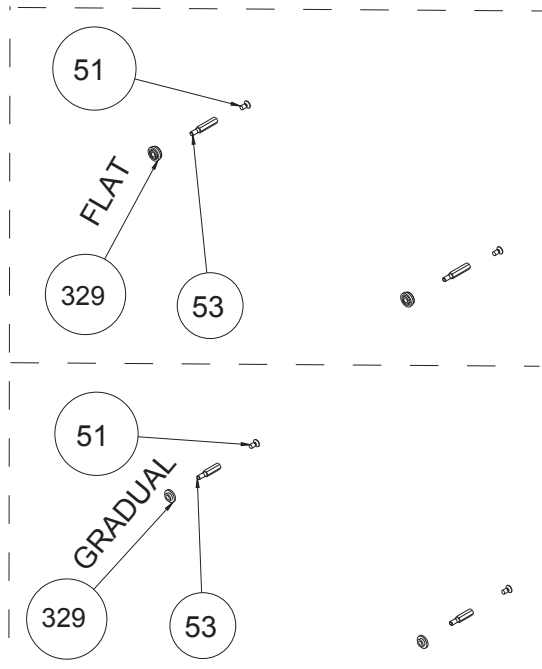


220,239,240 is for Removable Third Glass Versions
 262,67 is for Removable Glass Versions

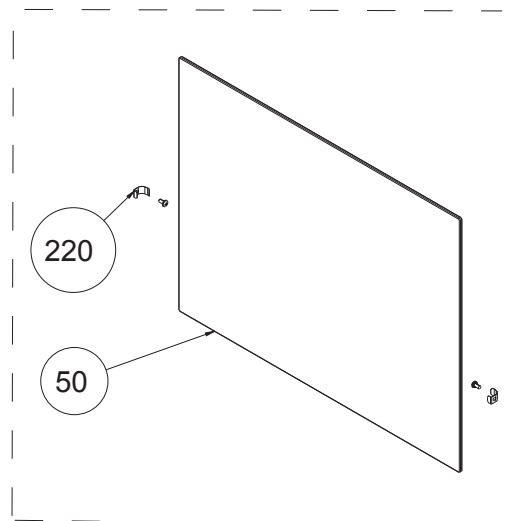
FLAT TYPE OVEN DOOR WITH FULL GLASS STRUCTURE - POSITION NO 377 (OPTIONAL)



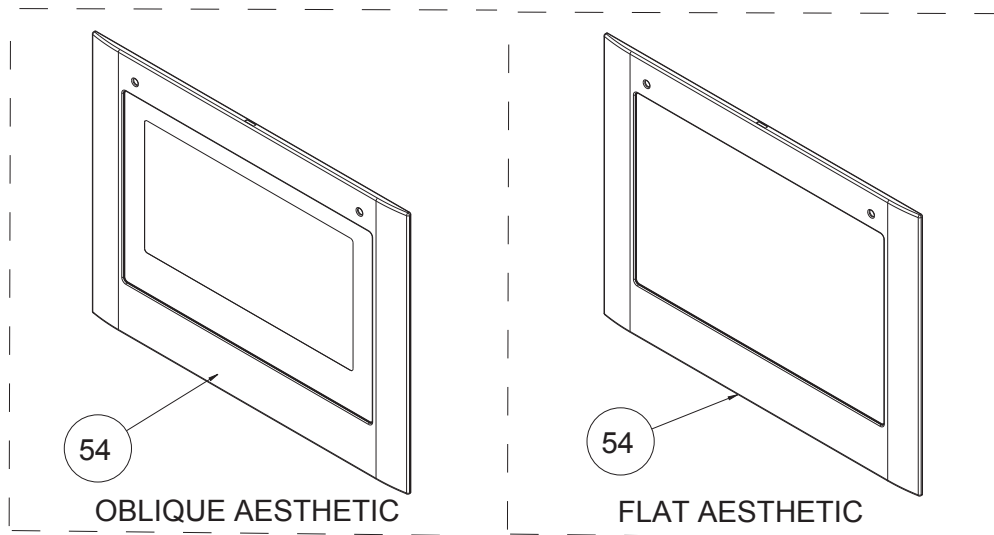
SOLID TYPE - POSITION NO 395 (OPTIONAL)



HANDLE ASSEMBLY GROUP -
POSITION NO 49
(OPTIONAL)



INTERVAL GLASS
(ONLY FOR FLAT TYPE OVEN DOOR
WITH FULL GLASS STRUCTURE)
(OPTIONAL)

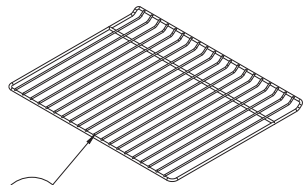


SOLID TYPE - POSITION NO 54 (OPTIONAL)

OVEN DOOR OUTER GLASS ASSEMBLY PARTS

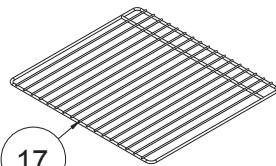
POSITION NUMBER	PART NAME
4	SCREW (KNURLED, 3.9*9.5, BLACK)
49	HANDLE ASSEMBLY GROUP
50	INNER GLASS ASSEMBLY
51	INNER LID TOP CONTACT SCREW
52	OVEN DOOR HINGE
53	OVEN DOOR HANDLE ASSEMBLY STUD
54	OUTER GLASS ASSEMBLY
55	HANDLE BRACKET / BRACKET WITH CAP
56	HANDLE BODY
67	REMOVABLE INNER GLASS SPRING CONTACT SCREW
75	NEW G. FS OVEN DOOR SILICONE STOPER
107	GRADUAL/FLAT WASHER
173	DOUBLE GLAZED OVEN DOOR METAL TRIM CONTACT SCREW
204	HANDLE TAP
211	HANDLE ASSEMBLY GASKET
220	INTERVAL FRONT PANEL SPRING
237	DOUBLE GLAZED OVEN DOOR METAL TRIM
238	OVEN DOOR HANDLE CONTACT SCREW
239	HANDLE FIXING BUSH
240	SILICONE WASHER
262	REMOVABLE INNER GLASS SPRING (LEFT / RIGHT)
293	DOOR LOCK PIN
302	HANDLE BRACKET CONTACT SCREW
329	WASHER
367	THERMOMETER GROUP
375	SOLID TYPE OVEN DOOR (FLAT / OBLIQUE)
376	SOLID TYPE OVEN DOOR ASSEMBLY
377	OVEN DOOR GROUP

"The exploded views given in this document are generic. They include all possible versions of the product. For specific part codes, please refer to the bom list of regarding model."



17

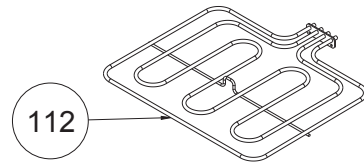
LOCKED



17

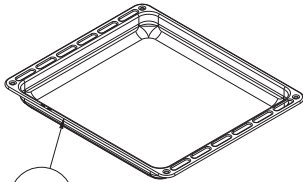
W. TELESCOPIC RAIL

GRID (OPTIONAL)



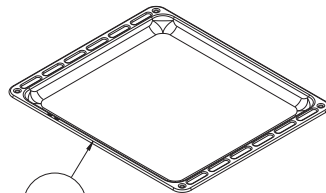
112

TOP AND GRILL HEATING ELEMENT (OPTIONAL)



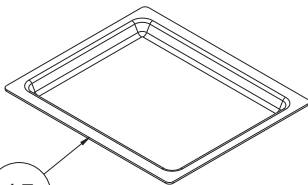
15

DEEP



15

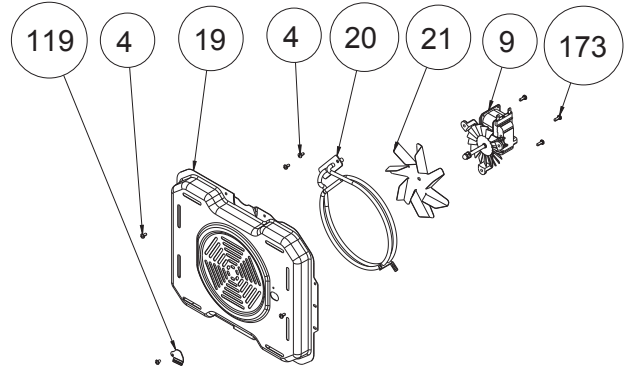
SHALLOW



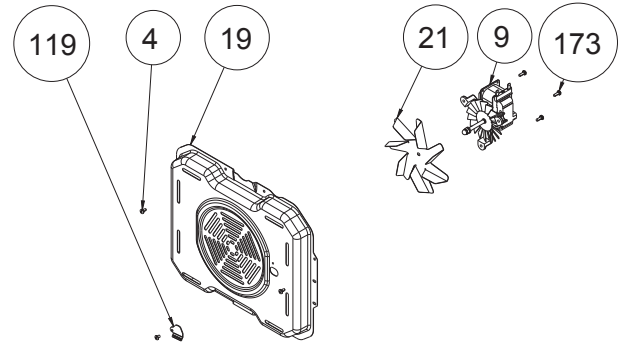
15

GLASS

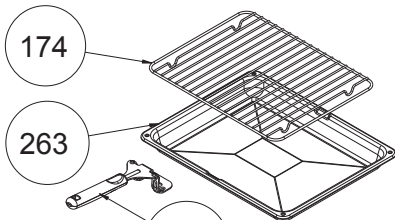
TRAYS (OPTIONAL)



RING HEATING ELEMENT WITH FAN (OPTIONAL)



(FAN COVER/ FAN IMPELLER(6 WINGS) / FAN MOTOR) (OPTIONAL)

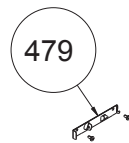


174

263

264

GRILL PAN AND HANDLE SET (TRAY SET FOR GRILL) - POSITION NO 265 (OPTIONAL)



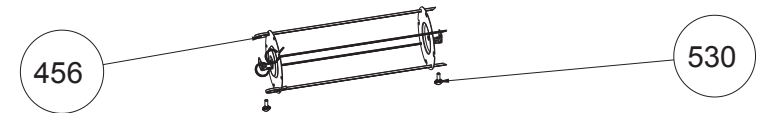
479

THERMST BULB HOLDER/BACKET



116

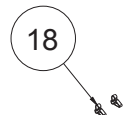
TURNSPIT SKEWER



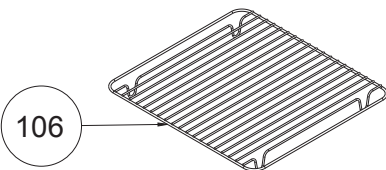
456

530

SHISH KEBAB ACCESSORY (OPTIONAL)

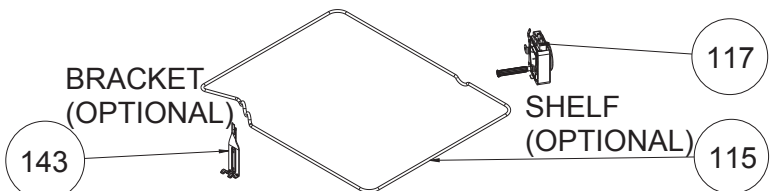


18



106

DEEP TRAY GRID (OPTIONAL)



143

117

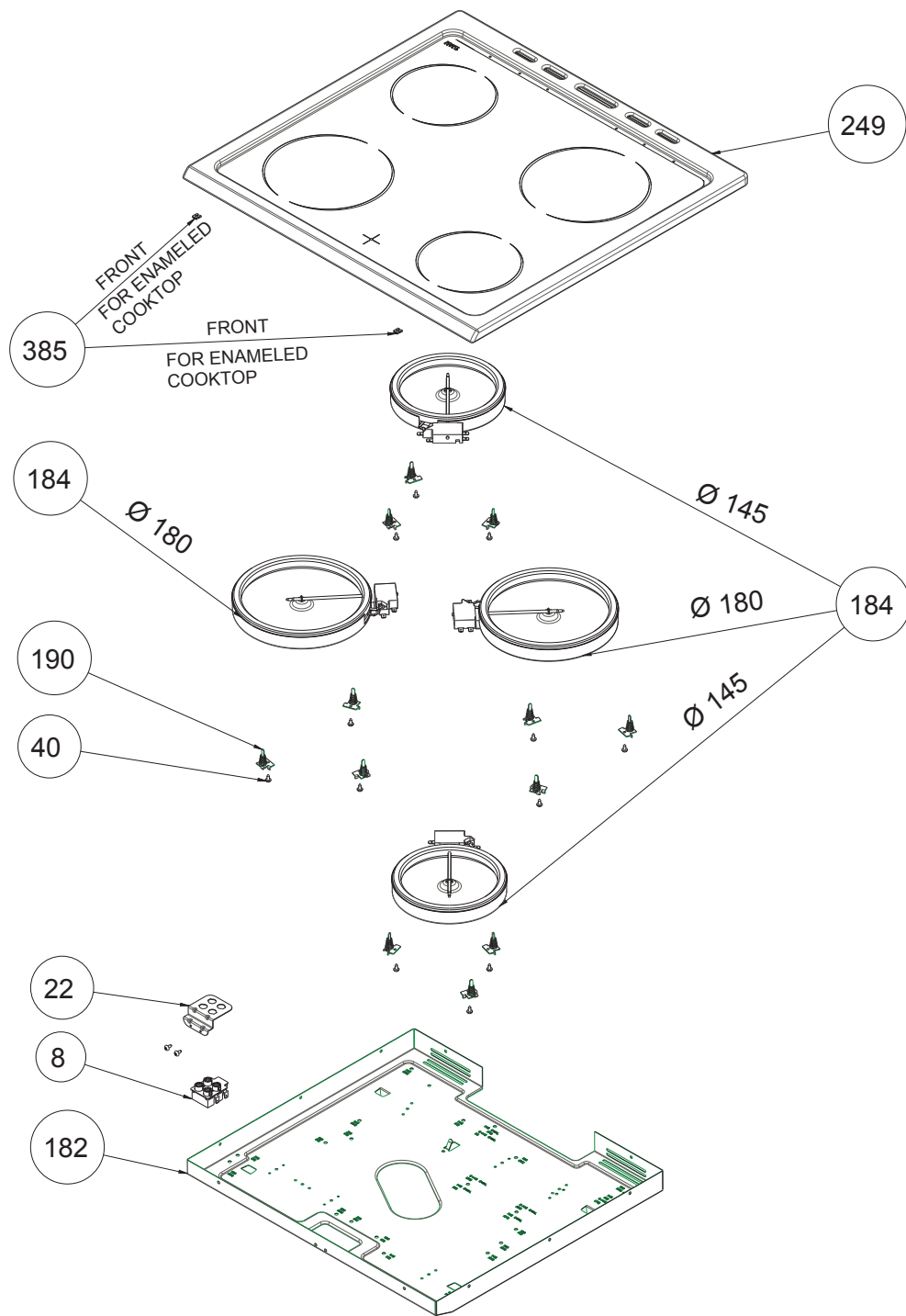
115

BRACKET (OPTIONAL)

SHELF (OPTIONAL)

TURNSPIT (OPTIONAL)

EXPLODED VIEW - CAVITY ASSEMBLY



COOKTOP ASSEMBLY PARTS

POSITION NUMBER	PART NAME
4	SCREW (3.9*9.5)
8	HOT SURFACE INDICATOR LIGHT
22	HOT SURFACE INDICATOR LIGHT HOLDER
40	SCREW (3.5*9.5)
182	VITROCERAMIC HOB BOTTOM COVER
184	HIGHLIGHT HEATING
190	HIGHLIGHT HEATING FIXING BRACKET ASSEMBLY
249	CERAMIC GLASS ASSEMBLY
385	COOKTOP FIXING CLIP (FOR METAL LID MODELS& FOR MODELS W/O LID - AT BACK, FOR ALL ENAMELED MODEL-AT FRONT)

"The exploded views given in this document are generic. They include all possible versions of the product. For specific part codes, please refer to the bom list of regarding model."