

# 398000761 APOLLO 12HP – NO OUTDOOR UNIT

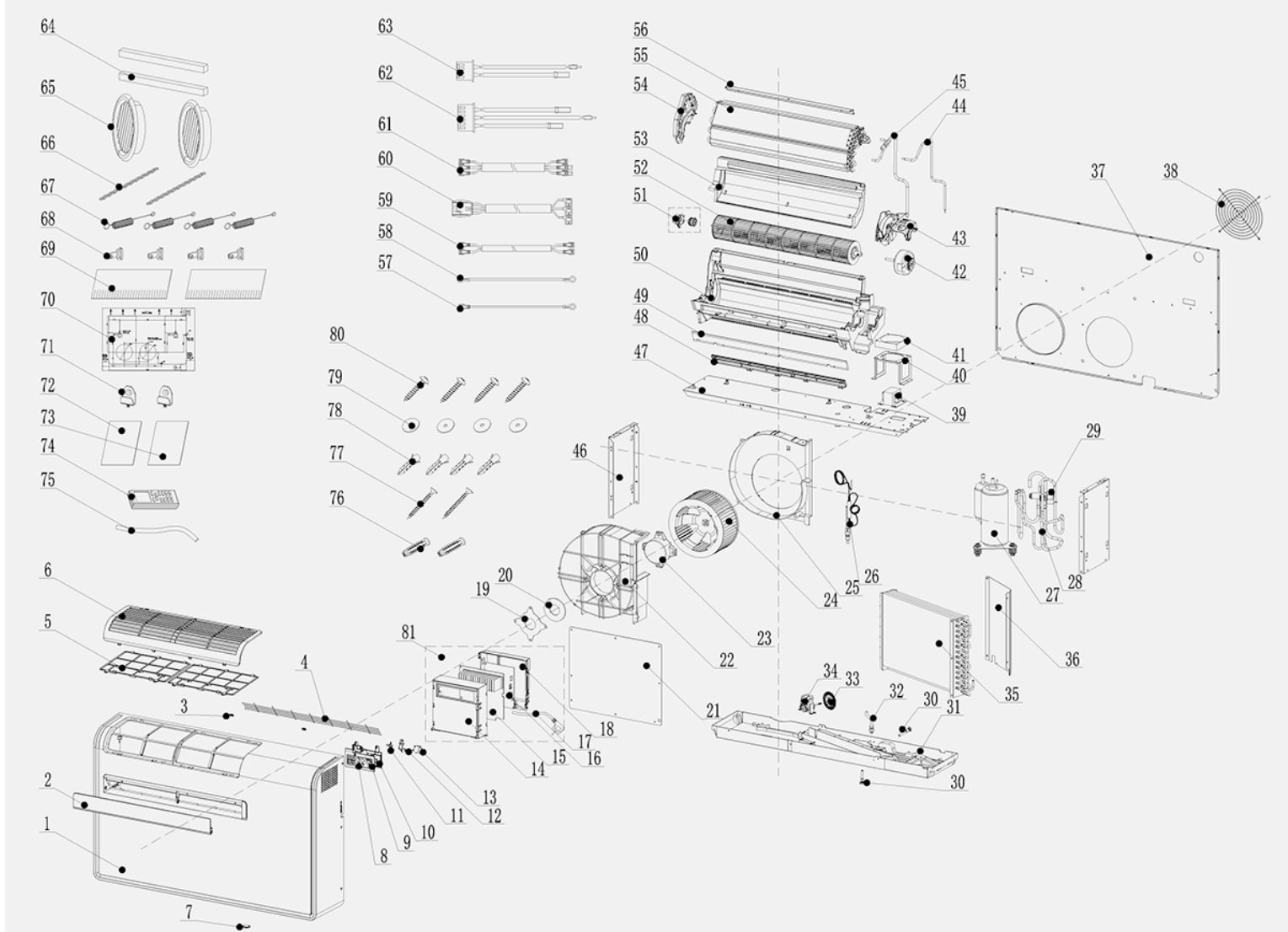


EXPL. REFERENCE	PART NO.	DESCRIPTION	USED QTY	START DATE	END DATE	FROM SERIAL
1	BPA001A_S00001	FRONT PANEL	1.00 NR	10/11/2020	N.A.	
2	BPA001A_S00002	AIR DEFLECTOR	1.00 NR	21/04/2020	N.A.	
3	TPA001A_S00024	AIR DEFLECTOR SHAFT	1.00 NR	21/04/2020	N.A.	
5	BPA001A_S00009	DUST SCREEN	1.00 NR	21/04/2020	N.A.	
6	BPA001A_S00003	INTAKE GRILL	1.00 NR	21/04/2020	N.A.	
7	BPA001A_S00019	WATER PLUG COVER	1.00 NR	21/04/2020	N.A.	
9	TPA001A_D00002	DISPLAY PANEL	1.00 NR	21/04/2020	N.A.	
11	BPA001A_S00018	STEPPER MOTOR SHAFT	1.00 NR	21/04/2020	N.A.	
13	TO6_BJ_00001	STEPPING MOTOR	1.00 NR	21/04/2020	N.A.	
15	TPA001A_D00003	FREQUENCY CONVERSION DRIVE BOARD	1.00 NR	21/04/2020	N.A.	
16	TPA001A_D00001	MAIN CONTROL PANEL	1.00 NR	21/04/2020	N.A.	
17	TO6_DY_00362	POWER CORD	1.00 NR	21/04/2020	N.A.	
23	TPA001A_M00002	OUTDOOR SIDE MOTOR	1.00 NR	21/04/2020	N.A.	
24	BA002_S00026	CENTRIFUGAL WIND WHEEL	1.00 NR	21/04/2020	N.A.	
26	TO1_MX_00139	CAPILLARY ASSEMBLY	1.00 NR	21/04/2020	N.A.	
27	TO2_YS_00218	COMPRESSOR	1.00 NR	21/04/2020	N.A.	
28	TO6_ST_00014	4 WAY VALVE ASSEMBLY	1.00 NR	21/04/2020	N.A.	
29	TO6_ST_00017	THE ELECTROMAGNETIC COIL	1.00 NR	21/04/2020	N.A.	
30	T10_FL_00754	CHASSIS RUBBER PLUG	1.00 NR	21/04/2020	N.A.	
32	TO6_CT_B0016	MAGNETIC REED SWITCH	1.00 NR	21/04/2020	N.A.	
34	TO6_DS_00032	WATER MOTOR	1.00 NR	21/04/2020	N.A.	
35	BPA001_X00002	CONDENSER ASSEMBLY	1.00 NR	21/04/2020	N.A.	
39	TO6_DJ_00004	REACTOR	1.00 NR	21/04/2020	N.A.	
42	TPA001A_M00001	INDOOR SIDE MOTOR	1.00 NR	21/04/2020	N.A.	
51	TPA001A_S00025	FAN BLADE SHAFT SLEEVE ASSEMBLY	1.00 NR	21/04/2020	N.A.	
52	TPA001A_S00027	CROSS FLOW FAN BLADE	1.00 NR	21/04/2020	N.A.	
55	BPA001_X00015	EVAPORATOR ASSEMBLY	1.00 NR	21/04/2020	N.A.	
57	BPA001A_P00005	FREQUENCY CONVERSION BOARD GROUNDING WIRE	1.00 NR	21/04/2020	N.A.	
58	BPA001A_P00004	COMPRESSOR EARTH WIRE	1.00 NR	21/04/2020	N.A.	
59	BPA001A_P00003	REACTOR CONNECTION LINE	1.00 NR	21/04/2020	N.A.	
60	BPA001A_P00002	COMPRESSOR CONNECTION	1.00 NR	21/04/2020	N.A.	
61	BPA001A_P00001	INTERNAL AND EXTERNAL CONNECTION LINES	1.00 NR	21/04/2020	N.A.	
62	TO5_CG_00048	TEMPERATURE SENSOR (OUTSIDE)	1.00 NR	21/04/2020	N.A.	
63	TO5_CG_00047	TEMPERATURE SENSOR (INSIDE)	1.00 NR	21/04/2020	N.A.	
71	BPA001A-W00008	HOOK	1.00 NR	29/04/2021	N.A.	
74	TO6_YK_00207	REMOTE CONTROL	1.00 NR	21/04/2020	N.A.	

EXPL. REFERENCE	PART NO.	DESCRIPTION	USED QTY	STERT DATE	END DATE	FROM SERIAL
81	BPA001-D00003	ELECTRIC BOX	1.00 NR	10/11/2020	N.A.	

ARGOCLIMA S.P.A.

SEDE LEGALE, VIA ALFENO VARO, 35 - 25020 ALFIANELLO (BS) - ITALY - TEL: +39 0331755111 - FAX: +39 0331755501  
CAP. SOCIALE: 13.416.000 EURO I.V. - P. IVA N. 03258640964 - COD.IDENT.INTRACOM ITO3258640964 - R.E.A. BS-520586  
ECOPED 060401 - RIDOMUS 060201 - REG. NAZ. PRODUTTORI AEE ITO8020000000988 - REG. NAZ. PILE ITO9060PO0000457



ARGOCLIMA S.P.A.

SEDE LEGALE, VIA ALFENO VARO, 35 - 25020 ALFIANELLO (BS) - ITALY - TEL: +39 0331755111 - FAX: +39 0331755501  
 CAP. SOCIALE: 13.416.000 EURO I.V. - P. IVA N. 03258640964 - COD. IDENT. INTRACOM ITO3258640964 - R.E.A. BS-520586  
 ECOPED 060401 - RIDOMUS 060201 - REG. NAZ. PRODUTTORI AEE ITO802000000988 - REG. NAZ. PILE ITO9060P00000457