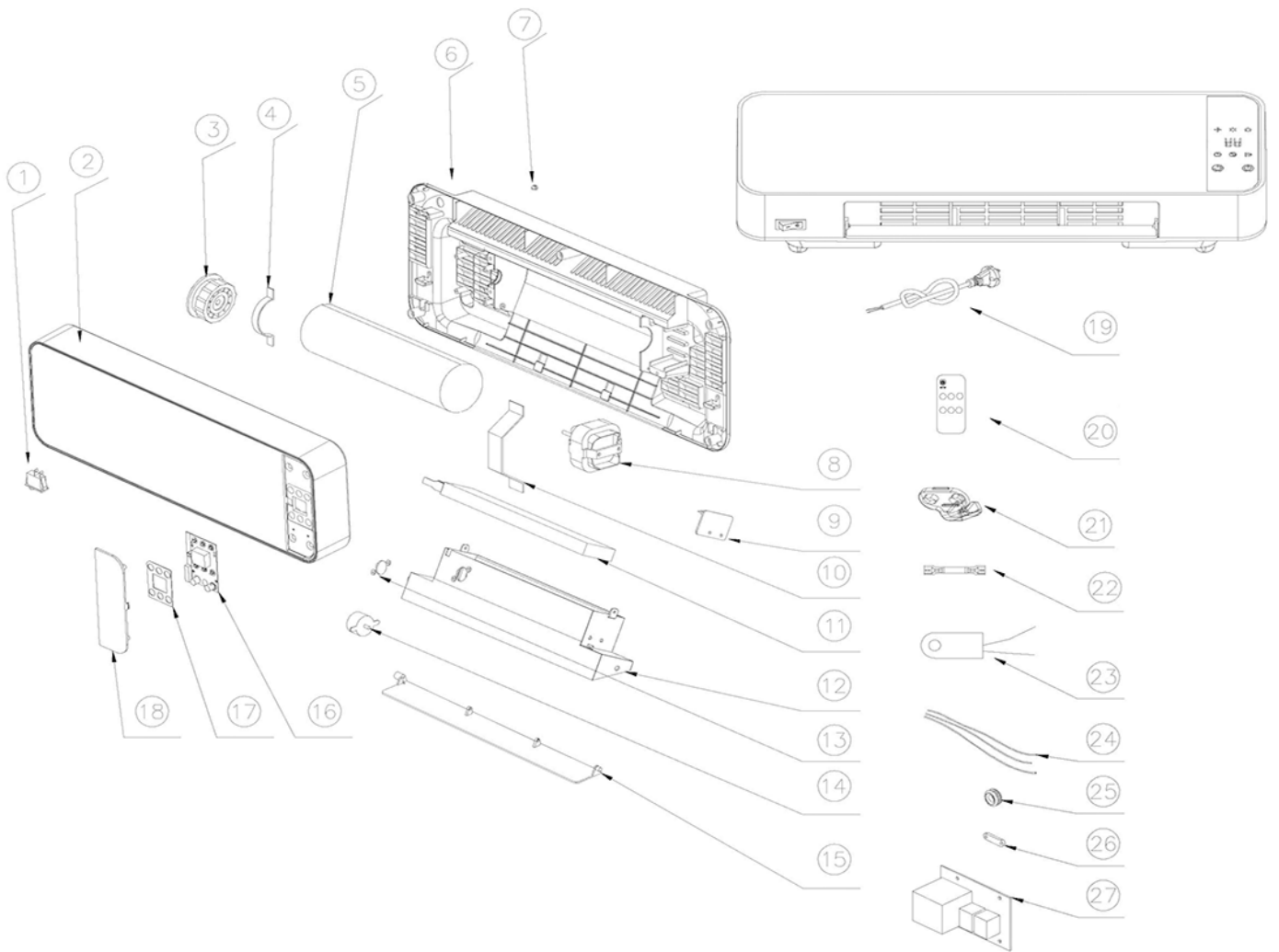


191070182 SLEEK – TERMOVENT. PARETE



EXPL. REFERENCE	PART NO.	DESCRIPTION	USED QTY	STERT DATE	END DATE	FROM SERIAL
1	KPT-5211L-01	MAIN SWITCH (SLEEK)	1.00 NR	17/05/2018	N.A.	
8	KPT-5211L-08	FAN MOTOR (SLEEK)	1.00 NR	17/05/2018	N.A.	
11	KPT-5211L-11	PTC HEATING ELEMENT (SLEEK)	1.00 NR	17/05/2018	N.A.	
13	KPT-5211L-13	THERMAL CUT-OUT (SLEEK)	1.00 NR	17/05/2018	N.A.	
14	KPT-5211L-14	STEP MOTOR (SLEEK)	1.00 NR	17/05/2018	N.A.	
16	5211-ERPL-A	DISPLAY BOARD	1.00 NR	31/08/2021	N.A.	
19	KPT-5211L-19	PLUG AND CORD (SLEEK)	1.00 NR	17/05/2018	N.A.	
20	KPT-5211L-20	REMOTE CONTROL (SLEEK)	1.00 NR	17/05/2018	N.A.	
27	KPT-1801L-B	MAIN BOARD	1.00 NR	15/09/2020	N.A.	



ARGOCLIMA S.P.A.

SEDE LEGALE, VIA ALFENO VARO, 35 - 25020 ALFIANELLO (BS) - ITALY - TEL: +39 0331755111 - FAX: +39 0331755501
 CAP. SOCIALE: 13.416.000 EURO I.V. - P. IVA N. 03258640964 - COD. IDENT. INTRACOM ITO3258640964 - R.E.A. BS-520586
 ECOPEL 060401 - RIDOMUS 060201 - REG. NAZ. PRODUTTORI AEE ITO802000000988 - REG. NAZ. PILE ITO9060P00000457