



EN

BATHROOM CERAMIC FAN HEATER - IP21

beat

beat ice



OPERATING INSTRUCTIONS

Read the instructions carefully before installing and operating the appliance or performing maintenance operations. Observe all the safety instructions; failure to observe the instructions may cause accidents and/or damages. Store these instructions for future reference.

GENERAL SAFETY INFORMATION

- Use this fan heater only as outlined in this manual. Any other use not recommended by the manufacturer may cause fire, electric shock or injury to people.
 - Ensure that the mains power complies with the voltage specified on the fan heater data plate (220-240V ~/50Hz).
 - This appliance can be used by children aged from 8 years and above and people with reduced physical, sensory or mental capabilities or lack of experience and knowledge if they have been given supervision or instruction concerning use of the appliance in a safe way and understand the hazards involved.
 - Children shall not play with the appliance.
 - Cleaning and user maintenance shall not be made by children without supervision.
 - This product is not a toy. Children of less than 3 years should be kept away unless continuously supervised.
 - **Children aged from 3 and less than 8 years shall only switch on/off the appliance provided that it has been placed or installed in its intended normal operating position and they have been given instruction concerning use of the appliance in a safe way and understand the hazards involved. Children aged from 3 years and less than 8 years shall not plug in, regulate and clean the appliance or perform user maintenance.**
- CAUTION - Some parts of this product can become very hot and cause burns. Particular attention has to be given where children and vulnerable people are present.**
- WARNING: In order to avoid hazard due to inadvertent resetting of the thermal cut-out, this appliance must not be supplied through an external switching device, such as a timer, or connected to a circuit that is regularly switched on and off by the utility.**
- WARNING: do not use the fan heater with a controller or any other external device that activates the appliance automatically, as there may be a risk of fire if the fan heater is covered or incorrectly positioned.**
- Do not restrict the air inlet and outlet grilles.

- The appliance heats up slightly when in use. In order to avoid burns, do not let bare skin touch hot surfaces.
- Ensure that all objects are at least 1 meter from the front and sides of the appliance.
- Disconnect the mains power when the appliance is not used or for cleaning operations.
- Avoid using the fan heater in dusty environments or in the presence of inflammable vapors (e.g. in workshops or garages) or paint vapors.
- Do not place anything on the appliance, use the appliance to dry clothing.
- Use the appliance in a well-ventilated area.
- Avoid placing fingers or foreign objects in the air inlet/outlet grilles, as this may lead to electric shock or fire and may damage the appliance.
- To avoid the risk of fire, do not block the grilles or tamper with them in any way while the fan heater operates.
- **Do not use the appliance if the cord or plug are damaged.** If the power supply cord is damaged, it must be replaced by the service centre so as to avoid any safety risks.
- Do not operate the appliance if it has fallen from a height or has suffered damage in any way. Contact qualified technical personnel to examine the appliance or perform any electrical or mechanical repairs.
- The most common cause of overheating is the build-up of dust in the appliance. Remove dust deposits by unplugging the appliance and cleaning the air outlets and grilles with the aid of a vacuum cleaner.
- Do not use abrasive detergents for cleaning this appliance. Clean the appliance with the aid of a damp (not wet) cloth rinsed in hot soapy water. Always remove the plug from the mains socket before cleaning.
- To disconnect the fan heater, push the switch to OFF and remove the plug from the socket. Pull on the plug only. Avoid pulling on the cord when disconnecting the fan heater.
- Do not place any objects on the cord and do not bend it.
- It is not advisable to use extension cords, as these may overheat and cause the risk of fire. Do not use a single extension cord to operate multiple appliances.

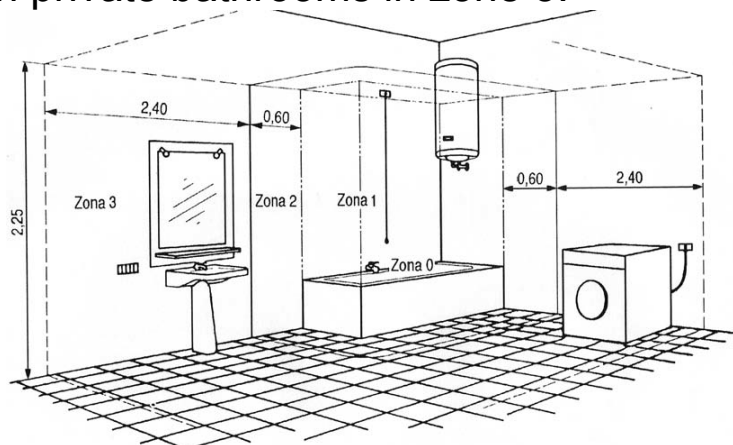
- Do not immerse the cord, plug or any other element of the appliance in water or other liquids.
- Do not touch the plug with wet hands.
- Do not place the fan heater above or near another heat source.

WARNING: AVOID COVERING THE FAN HEATER TO PREVENT IT FROM OVERHEATING.

The symbol below signals the above warning:



- The fan heater may cause the risk of fire if, while in operation, is covered by or comes into contact with **flammable** material including curtains, drapery, blankets, etc. **KEEP THE FAN HEATER AWAY FROM THESE MATERIALS.**
- Do not connect the appliance to the mains power before it has been properly assembled and positioned.
- Do not run the cord under carpets. Do not cover the cord with blankets, carpets or similar materials. Place the cord far away from busy areas or where it cannot be accidentally pulled-out.
- Do not operate the fan heater in close proximity to bathtubs, showers, washbasins or pools.
- The appliance is equipped with an IP21 degree of protection and can be used in private bathrooms in zone 3.



- Do not position the fan heater below a socket outlet.
- Do not operate the appliance outdoors.

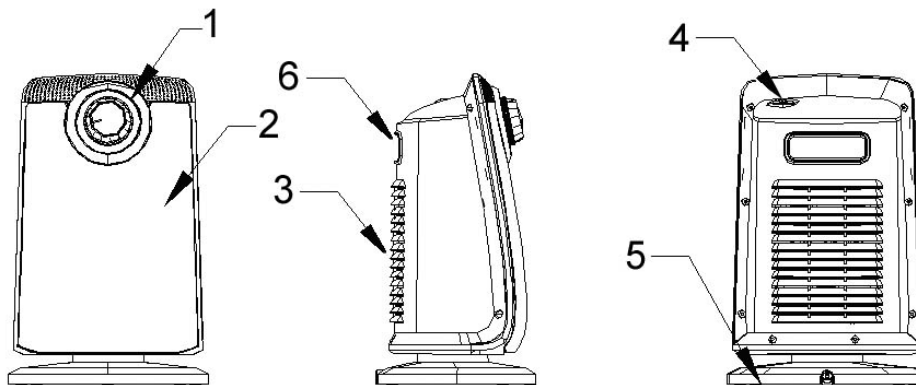
WARNING: do not use the fan heater with a controller or any other external device that activates the appliance automatically, as there may be a risk of fire if the fan heater is covered or incorrectly positioned.

Upon initial start-up, the fan heater may emit a slight, harmless smell. This smell is a normal effect of the initial heating up of the internal heating elements, and should not recur later on.

WARNING: DO NOT DEPEND ON THE ON/OFF BUTTON SWITCH AS THE SOLE MEANS OF DISCONNECTING POWER. WHEN SERVICING OR MOVING THE FAN HEATER, ALWAYS UNPLUG THE POWER CORD.

- A fan heater has hot and arcing or sparkling parts inside. It must not be used in potentially dangerous locations such as flammable, explosive, chemical-laden or wet atmosphere.
- Do not place the fan heater on soft surfaces, like a bed, where openings may become blocked. Always place the fan heater on a stable, flat, level surface when operating, to avoid the chance of the fan heater overturning. Locate the power cord so the fan heater or other objects are not resting on it.
- Always unplug the fan heater when not in use.
- In order to avoid accidents turn unit off if unattended.
- In the event of any problems (abnormal noise or a strange smell) switch off the appliance immediately, do not attempt to repair it and take it to your local after sales service.

DESCRIPTION OF PARTS



1. On/off and selection knob
2. Discharge grille
3. Air suction grille

4. Oscillation button
5. Base
6. Handle

HOW TO USE THE FAN HEATER

Position the unit on a flat, stable surface.

When you move the appliance, use the handle on the rear.

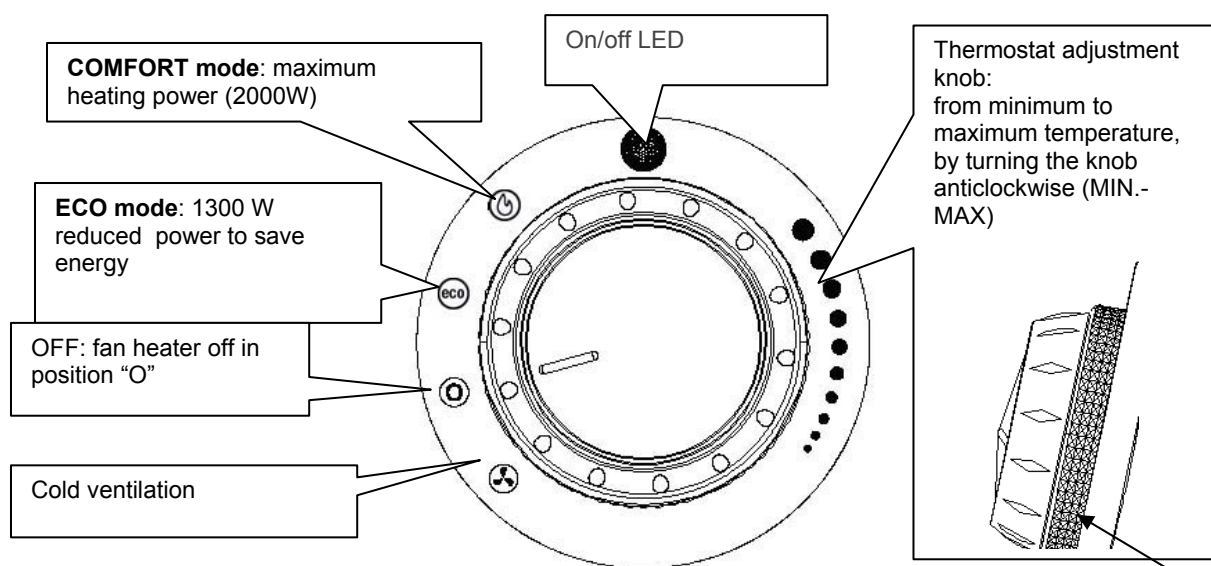
Connect the power cord to a suitable electric socket (220-240V~/50Hz).

Position the on/off and selection knob to "Comfort" (☀️) (2000 W), "Eco" (🌿) (1300 W) or Cold ventilation (❄️).

SWING button

When the appliance is operating, touch the button to make the appliance oscillate automatically, shifting the air flow from left to right (Position I). Touch the button again to interrupt the oscillation. (Position 0).

CONTROL PANEL AND AVAILABLE FUNCTIONS



The thermostat maintains the desired room temperature by automatically switching on/off the fan heater.

As you rotate the knob counterclockwise, the room temperature increases.

Operate the unit until the room reaches a comfortable temperature, then turn the knob thermostat knob clockwise until you hear a "click" and the unit will shut down; then turn again slightly (just a little) the thermostat knob counter-clockwise, in this position the thermostat will maintain the temperature you have chosen.

The appliance is fitted with an anti tip-up device that prevents it from operating when it detects that the product is inclined.

Do not position the appliance on its side or upside down.

MAINTENANCE AND STORAGE

ALWAYS UNPLUG THE APPLIANCE BEFORE CLEANING OR MAINTENANCE.

IMPORTANT: DO NOT SUBMERGE THE CERAMIC FAN HEATER IN WATER

Cleaning the outside surface of the appliance

Turn the switch off and unplug before carrying out any maintenance work or moving the appliance.

Use a soft cloth to remove any dust from the fan heater.

If the fan heater is excessively dirty, use a soft cloth moistened with water and a mild detergent at a temperature lower than 50°C. Let the fan heater dry completely before use.

Do not use corrosive detergents or solvents such as petrol. Do not wash the appliance with water. Do not use oils, chemical substances or other items to clean that may damage the surface.

Use a vacuum cleaner to remove dust from the air inlet/outlet grilles.

STORAGE

If the appliance is not used for prolonged periods, it must be stored together with this manual in its original packaging, in a cool and dry place.

INFORMATION FOR THE CORRECT DISPOSAL OF THE PRODUCT IN ACCORDANCE WITH EUROPEAN DIRECTIVE 2012/19/EU



This appliance may not be scrapped with domestic waste at the end of its life cycle. We call your attention to the crucial role played by the consumer in the re-use, recycling and other forms of recovery of such waste. The appliance must be scrapped by a sorted waste disposal centre or by returning it to the retailer (no charge is levied for this service), when you purchase a new equivalent appliance. Sorted disposal of electric and electronic equipment prevents the negative effects on the environment and human health resulting from improper scrapping, and also allows the materials from which it is made to be recovered and recycled, with significant savings in terms of energy and resources. The sorted disposal requirement is indicated by the crossed wastebin label affixed to the appliance.



improve your life

www.argoclima.com