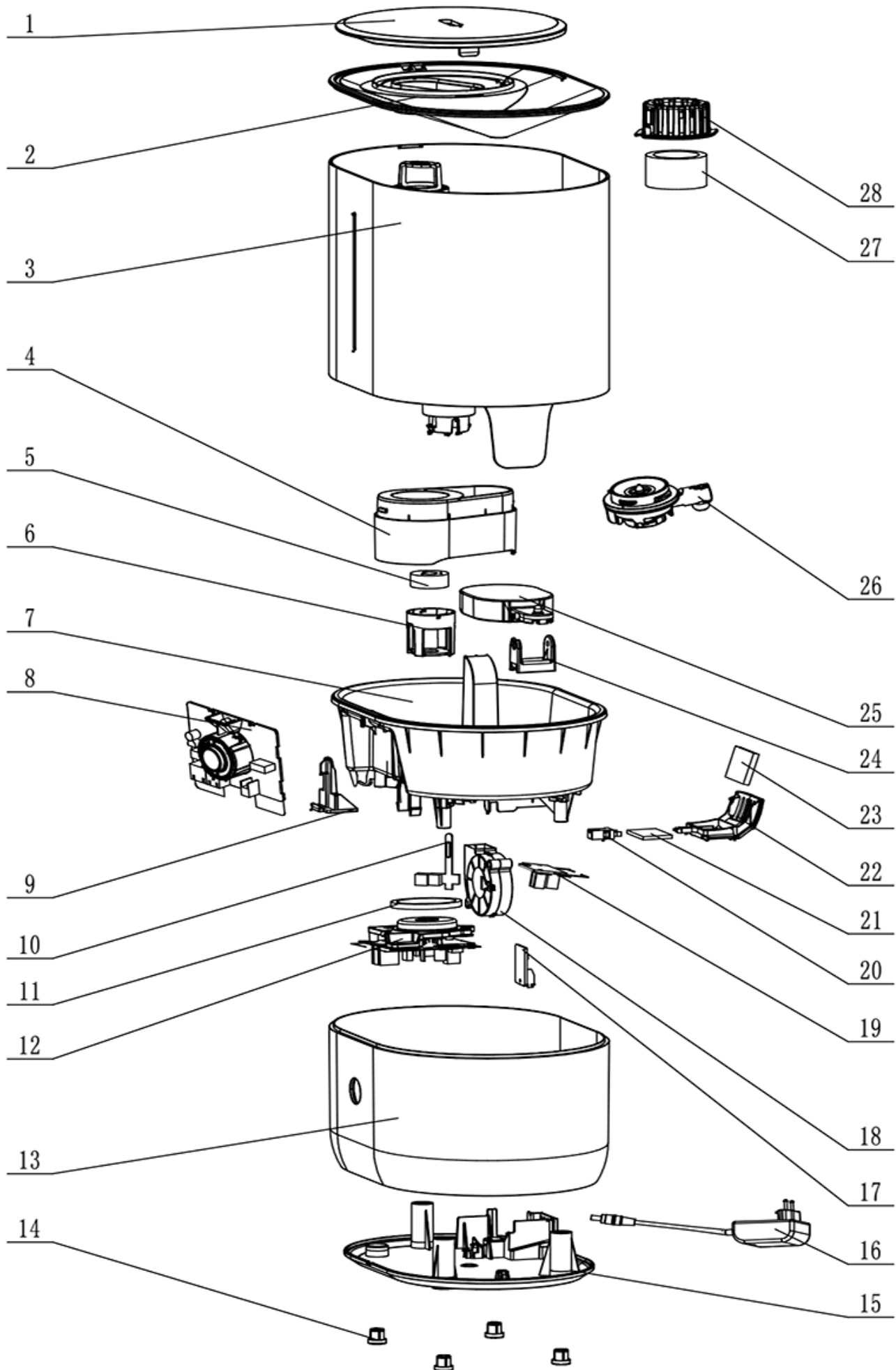


495000024 MOON – UMIDIFIC. A ULTRASUONI

EXPL. REFERENCE	PART NO.	DESCRIPTION	USED QTY	STERT DATE	END DATE	FROM SERIAL
5	GR128400660	FLOAT	1.00 NR	11/06/2020	N.A.	
8	GROO0486000006	KEY BOARD	1.00 NR	11/06/2020	N.A.	
10	GR117990604	INSPECTION BOARD	1.00 NR	11/06/2020	N.A.	
11	GR128990686	SEALING RING OF ENERGY CONVERTER	1.00 NR	11/06/2020	N.A.	
12	GR300037000003	SPRAYER PLATE	1.00 NR	11/06/2020	N.A.	
16	GR430107000007	POWER ADAPTER	1.00 NR	11/06/2020	N.A.	
17	GR300042000011	DETECTION BOARD (HUMIDITY)	1.00 NR	11/06/2020	N.A.	
18	GR117700020	BRUSHLESS DC FAN	1.00 NR	11/06/2020	N.A.	
21	GR143900063	FRAGRANCE SPONGE	1.00 NR	11/06/2020	N.A.	
23	GR111012000001	ACTIVE CARBON FILTER	1.00 NR	11/06/2020	N.A.	
26	GROO0442000003	WATER DISTRIBUTION COVER SUB-ASSY	1.00 NR	11/06/2020	N.A.	
27	GR110014000001	FILTER SPONGE	1.00 NR	11/06/2020	N.A.	



ARGOCLIMA S.P.A.

SEDE LEGALE, VIA ALFENO VARO, 35 - 25020 ALFIANELLO (BS) - ITALY - TEL: +39 0331755111 - FAX: +39 0331755501
 CAP. SOCIALE: 13.416.000 EURO I.V. - P. IVA N. 03258640964 - COD. IDENT. INTRACOM ITO3258640964 - R.E.A. BS-520586
 ECOPEL 060401 - RIDOMUS 060201 - REG. NAZ. PRODUTTORI AEE ITO8020000000988 - REG. NAZ. PILE ITO9060P00000457