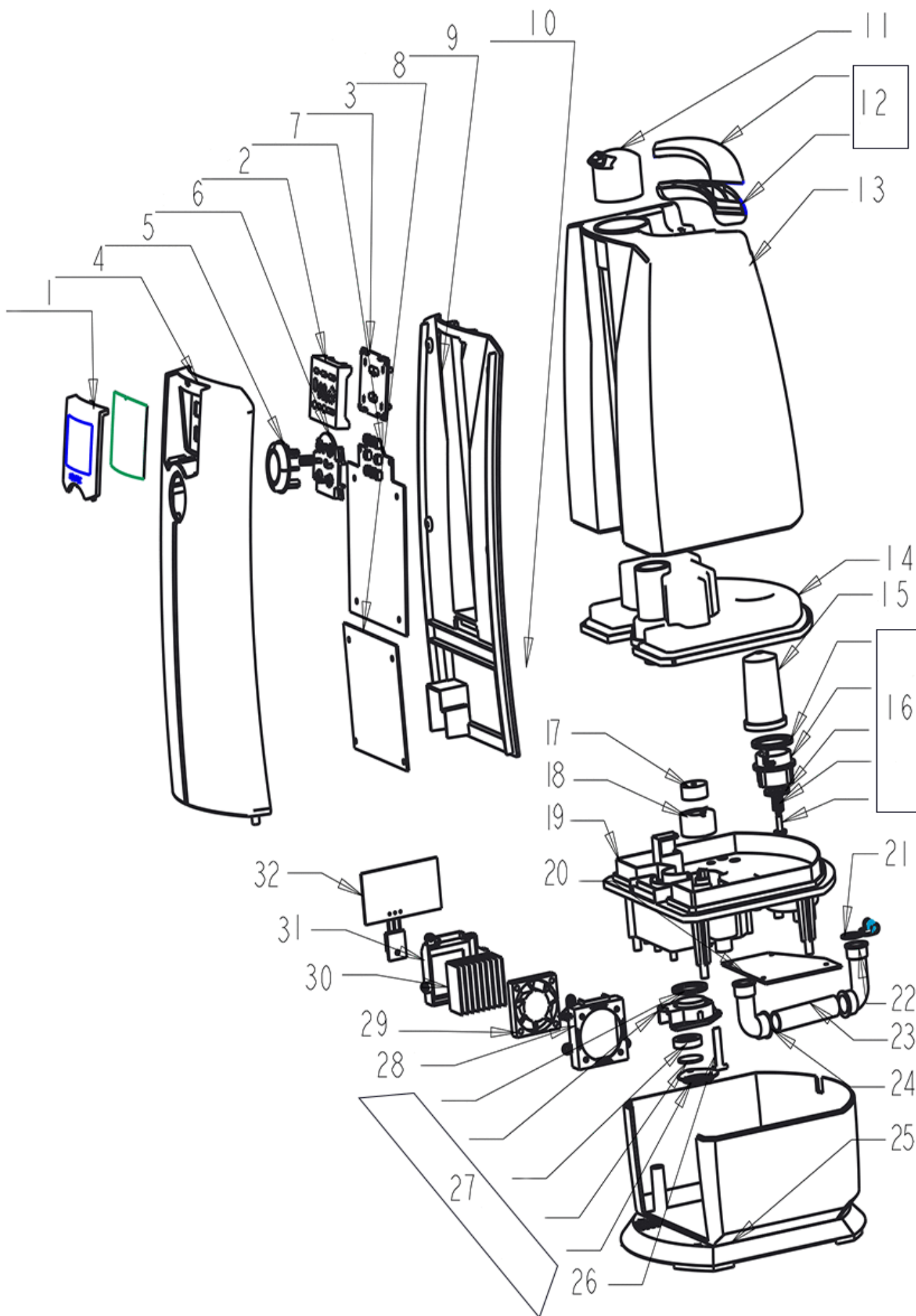


# 495000004 HYDRO DIGIT – UMIDIFICATORE



EXPL. REFERENCE	PART NO.	DESCRIPTION	USED QTY	STERT DATE	END DATE	FROM SERIAL
2	770A-1-2	DISPLAY SCREEN	1.00 NR	11/03/2019	N.A.	
5	770A-1-5	BUTTONS	1.00 NR	11/03/2019	N.A.	
7	770A-1-7	CONTROL BOARD	1.00 NR	11/03/2019	N.A.	
8	770A-1-8	POWER PCB	1.00 NR	11/03/2019	N.A.	
11	770A-2-1	NOZZLE	1.00 NR	11/03/2019	N.A.	
13	770A-2-3	WATER TANK	1.00 NR	11/03/2019	N.A.	
15	770A-2-4	WATER FILTER	1.00 NR	11/03/2019	N.A.	
16	770A-2-5_2-10	TAP TANK ASSY	1.00 NR	11/03/2019	N.A.	
17	770A-3-1	POSITIONING BLOCK	1.00 NR	11/03/2019	N.A.	
18	770A-3-2	MAGNET FLOAT	1.00 NR	11/03/2019	N.A.	
20	770A-3-4-1	TRANSFORMER SWITCH ASSY	1.00 NR	11/03/2019	N.A.	
26	770A-3-15	SENSOR OF WATER LEVEL	1.00 NR	11/03/2019	N.A.	
27	770A-3-16_3-20	ATOMIZER ASSY	1.00 NR	11/03/2019	N.A.	
28	770A-3-13	FAN	1.00 NR	11/03/2019	N.A.	
32	770A-3-10	OSCILLATION CIRCUIT BOARD	1.00 NR	11/03/2019	N.A.	



ARGOCLIMA S.P.A.

SEDE LEGALE, VIA ALFENO VARO, 35 - 25020 ALFIANELLO (BS) - ITALY - TEL: +39 0331755111 - FAX: +39 0331755501  
 CAP. SOCIALE: 13.416.000 EURO I.V. - P. IVA N. 03258640964 - COD. IDENT. INTRACOM ITO3258640964 - R.E.A. BS-520586  
 ECOPED 060401 - RIDOMUS 060201 - REG. NAZ. PRODUTTORI AEE ITO802000000988 - REG. NAZ. PILE ITO9060P00000457