

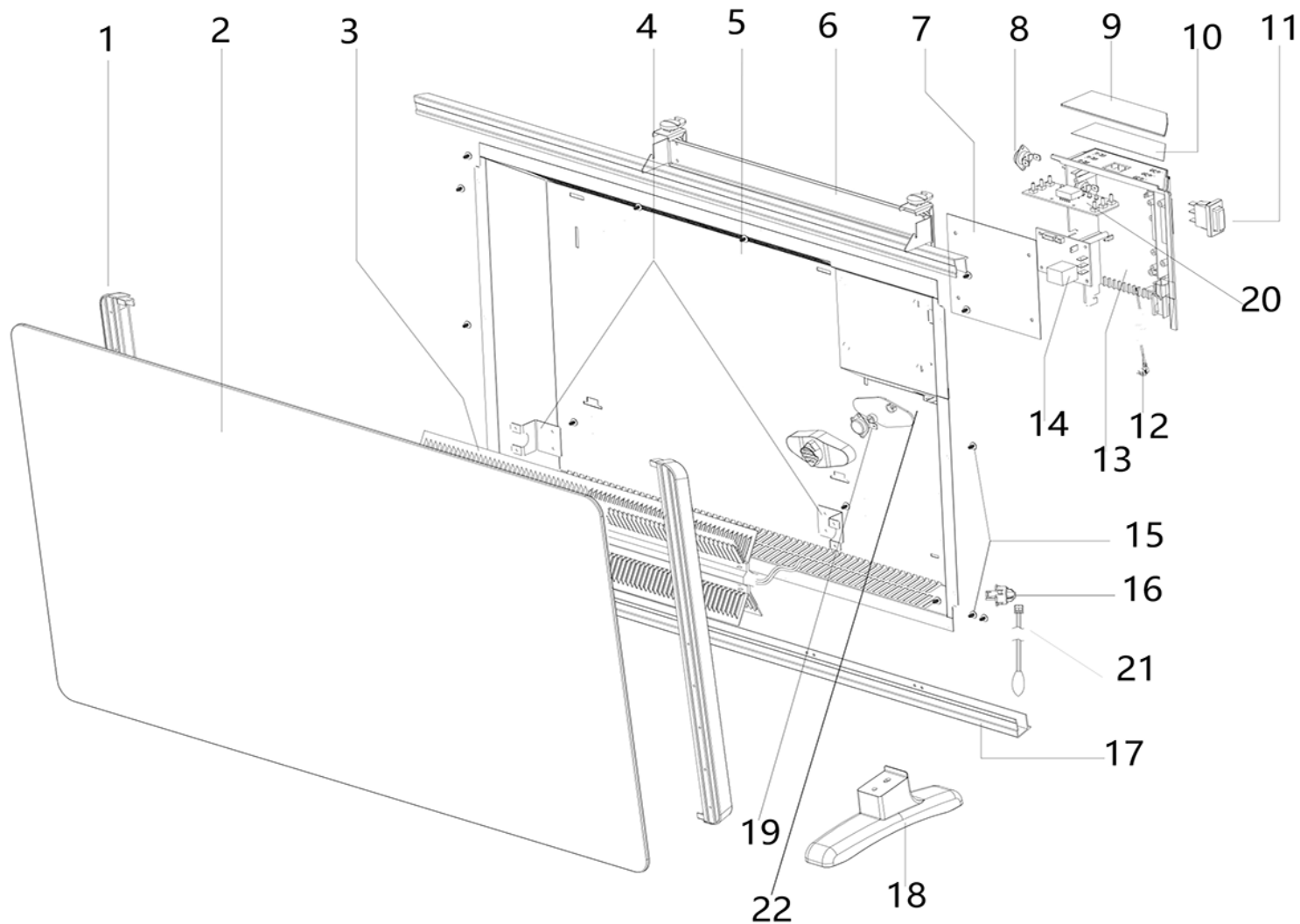
191061058 FANCY – TERMOC. DIG. PANN. VETRO IP24



EXPL. REFERENCE	PART NO.	DESCRIPTION	USED QTY	STERT DATE	END DATE	FROM SERIAL
3	SPG05-E03	ALUMINUM HEATING ELEMENT	1.00 NR	18/05/2021	N.A.	
6	SPG05-E06	WALL MOUNTED BRACKET	1.00 NR	18/05/2021	N.A.	
8	SPG05-E08	THERMAL CUT OUT	1.00 NR	18/05/2021	N.A.	
11	SPG05-E11	POWER SWITCH	1.00 NR	18/05/2021	N.A.	
14	SPG05-E14	PCB BOARD	1.00 NR	18/05/2021	N.A.	
18	SPG05-E18	FEET	1.00 NR	18/05/2021	N.A.	
19	SPG05-E19	THERMAL CUT OUT	1.00 NR	18/05/2021	N.A.	
20	SPG05-E20	DISPLAY PCB	1.00 NR	18/05/2021	N.A.	
21	SPG05-E21	TEMPERATURE SENSOR	1.00 NR	18/05/2021	N.A.	

ARGOCLIMA S.P.A.

SEDE LEGALE, VIA ALFENO VARO, 35 – 25020 ALFIANELLO (BS) – ITALY – TEL: +39 0331755111 – FAX: +39 0331755501
CAP. SOCIALE: 13.416.000 EURO I.V. – P. IVA N. 03258640964 – COD.IDENT.INTRACOM ITO3258640964 – R.E.A. BS-520586
ECOPED 060401 – RIDOMUS 060201 – REG. NAZ. PRODUTTORI AEE ITO802000000988 – REG. NAZ. PILE ITO9060P00000457



ARGOCLIMA S.P.A.

SEDE LEGALE, VIA ALFENO VARO, 35 - 25020 ALFIANELLO (BS) - ITALY - TEL: +39 0331755111 - FAX: +39 0331755501
 CAP. SOCIALE: 13.416.000 EURO I.V. - P. IVA N. 03258640964 - COD.IDENT.INTRACOM ITO3258640964 - R.E.A. BS-520586
 ECOPED 060401 - RIDOMUS 060201 - REG. NAZ. PRODUTTORI AEE ITO802000000988 - REG. NAZ. PILE ITO9060P00000457